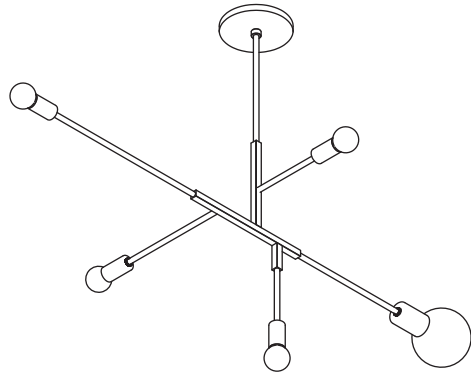

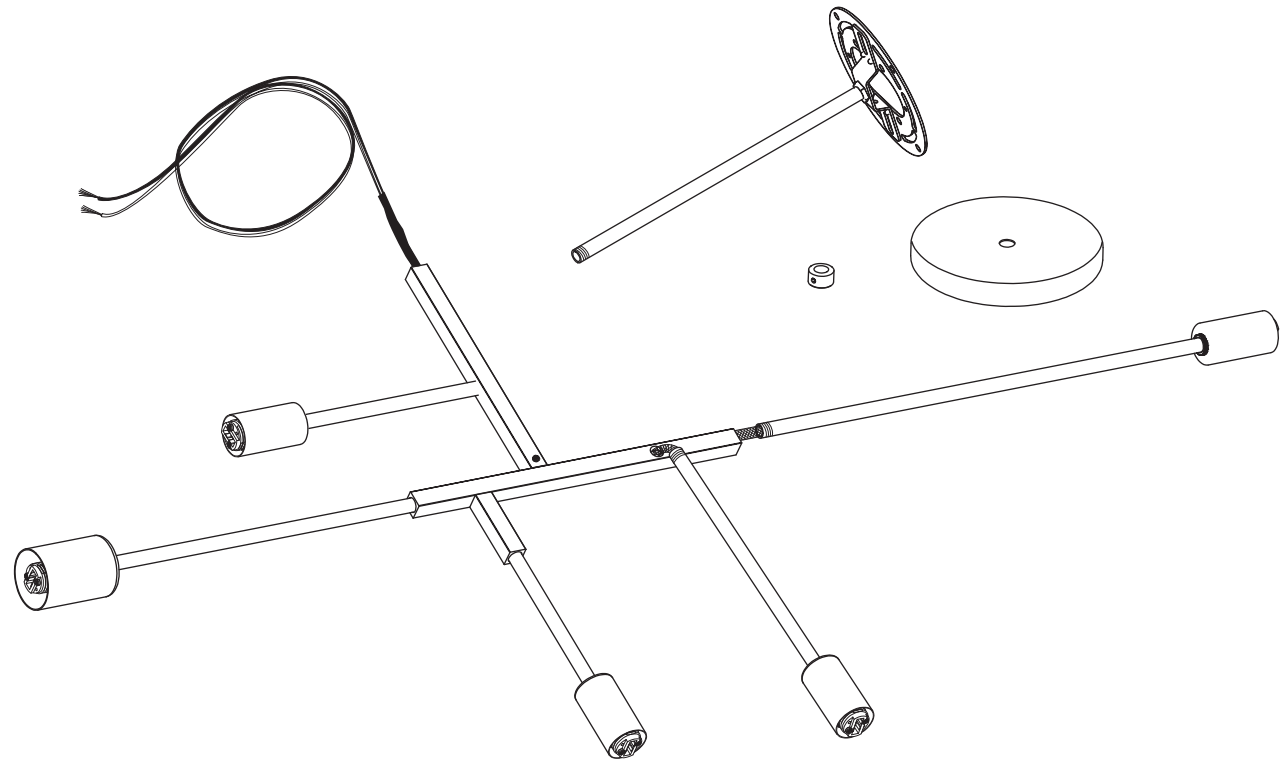
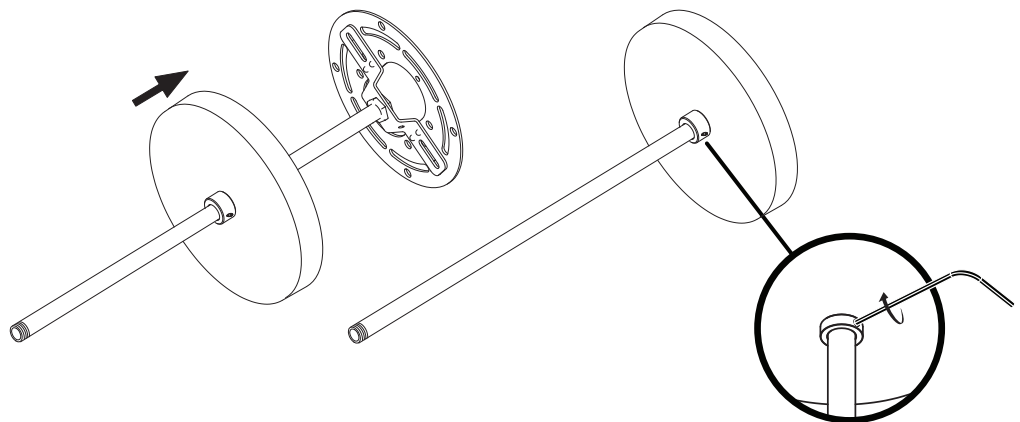


CLIFF SUSPENSION



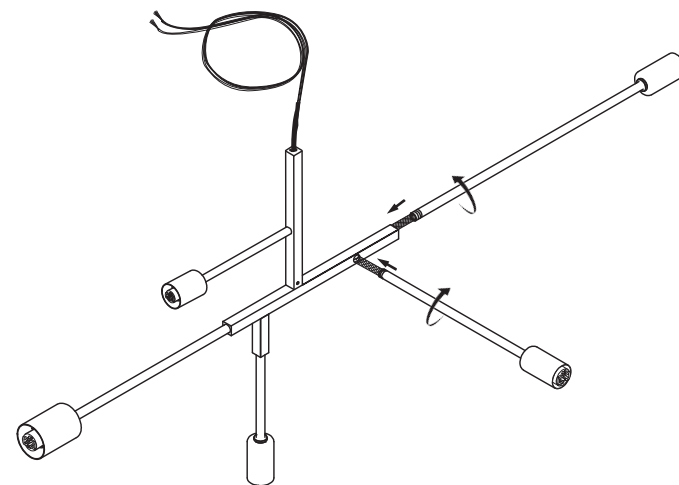
- 
- To be installed by an electrician to an electrical box
 - Use appropriate screws where necessary
 - Wear enclosed gloves when handling lamp
 - Handle materials with care. Please consult lamp maintenance sheet on our web site



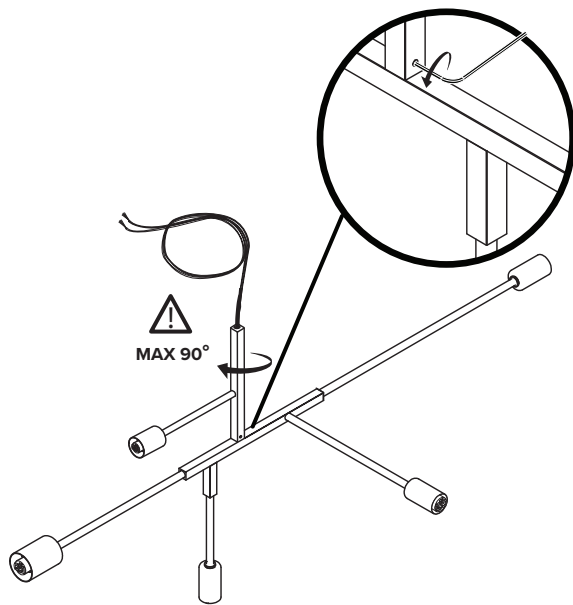


* Screw gently, but firmly

1

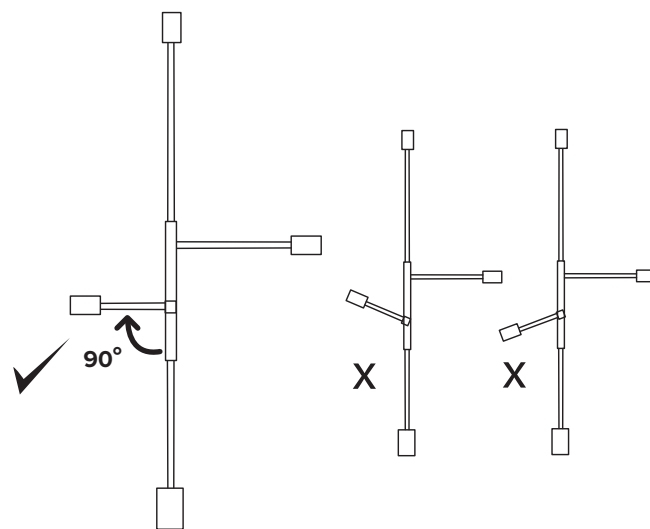


2



⚠
MAX 90°

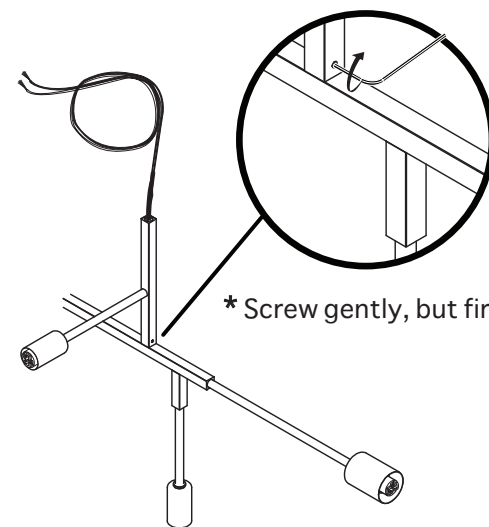
3



✓
90°

X

X



* Screw gently, but firmly

