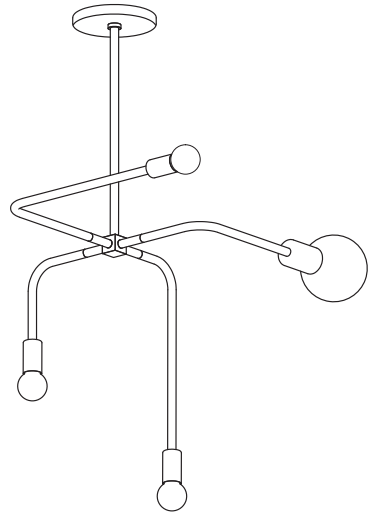
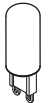


BEAUBIEN SUSPENSION




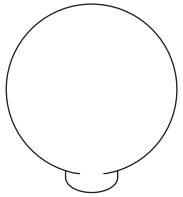
1 x 

1 x 

3 x 
3.5W

3 x 

1 x 
4.5W

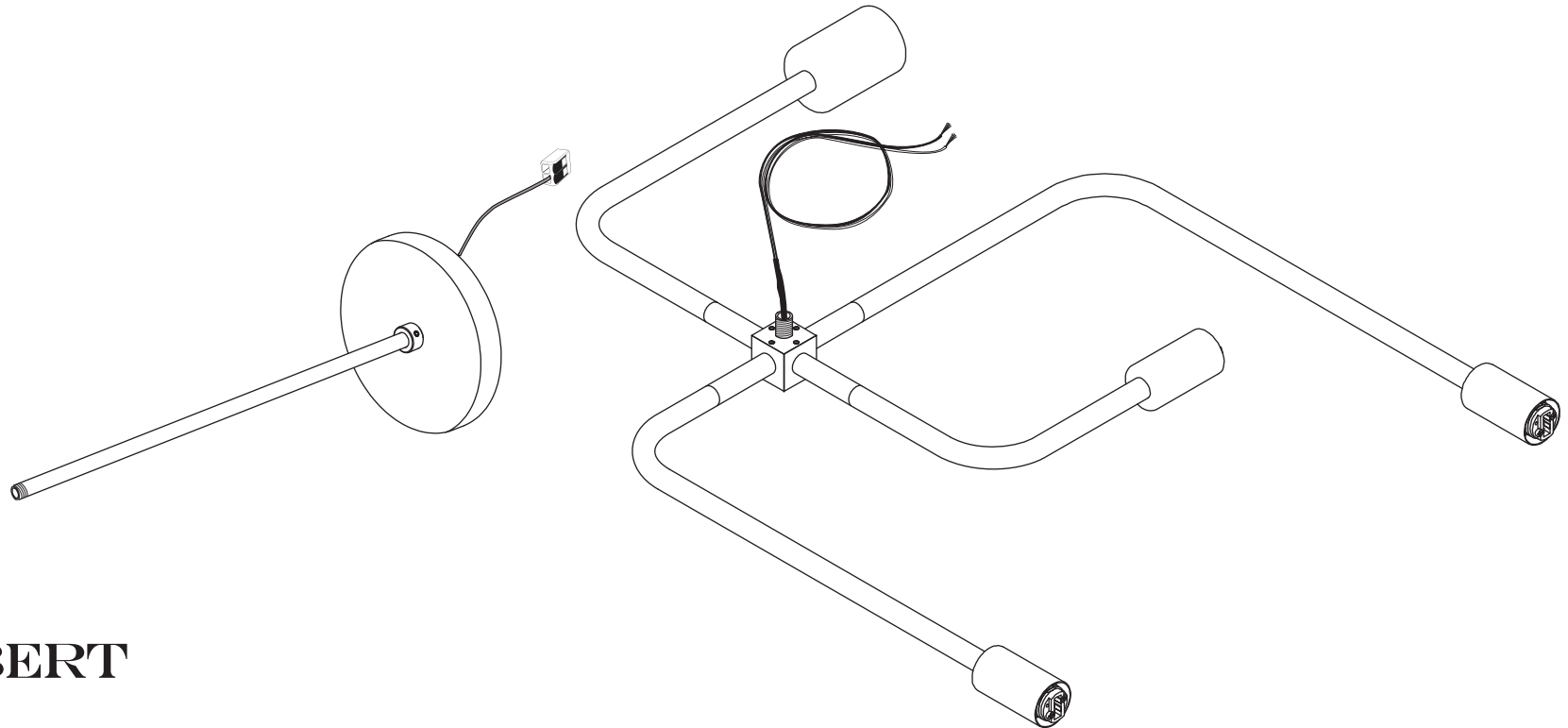
1 x 

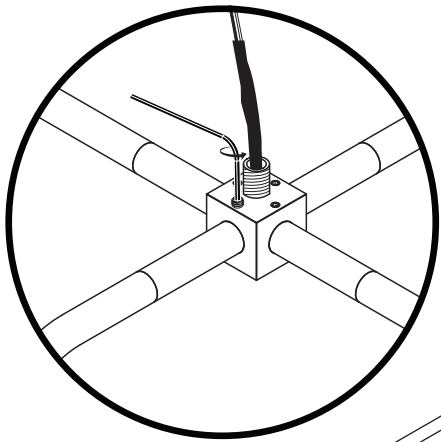
2 x 

1 x 



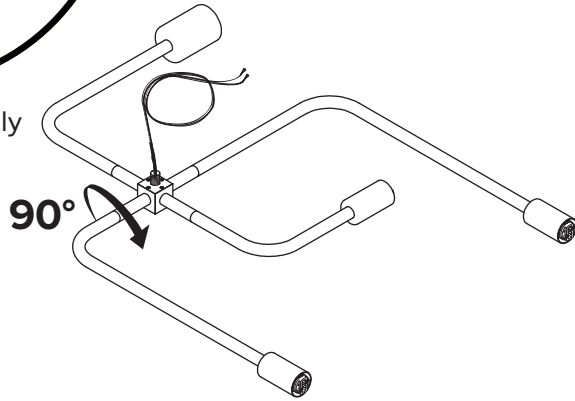
- To be installed by an electrician to an electrical box
- Use appropriate screws and anchors where necessary
- Wear enclosed gloves when handling lamp
- Handle materials with care. Please consult lamp maintenance sheet on our web site



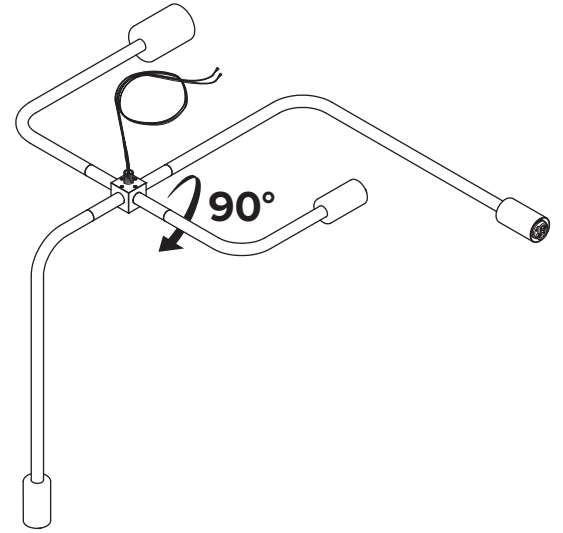


* Screw gently, but firmly

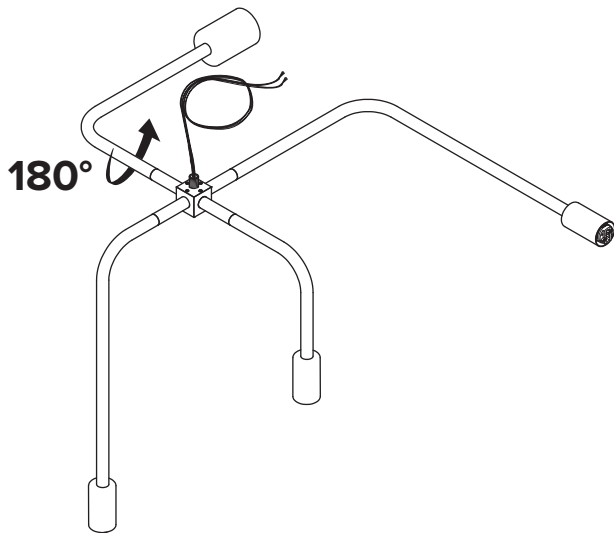
1



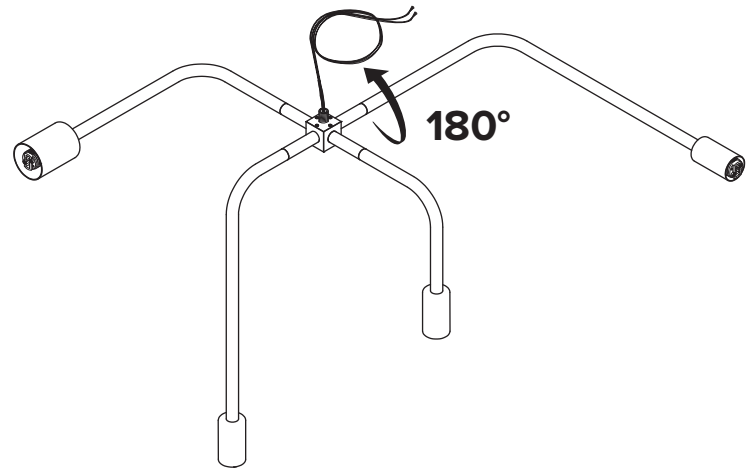
2

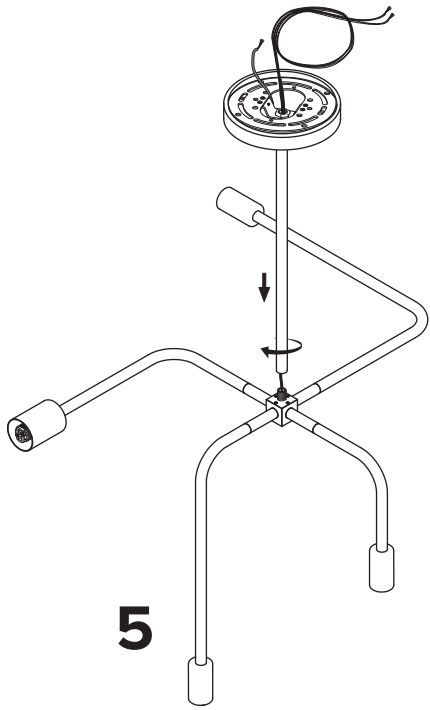


3

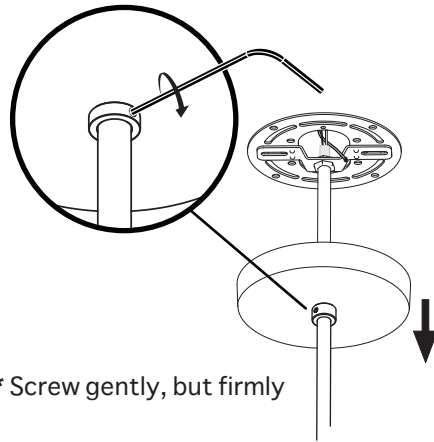


4



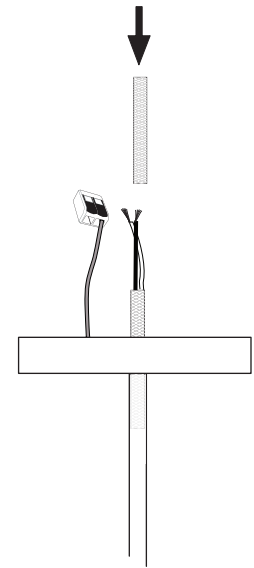


5

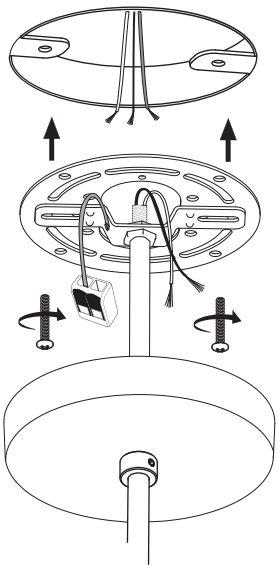


* Screw gently, but firmly

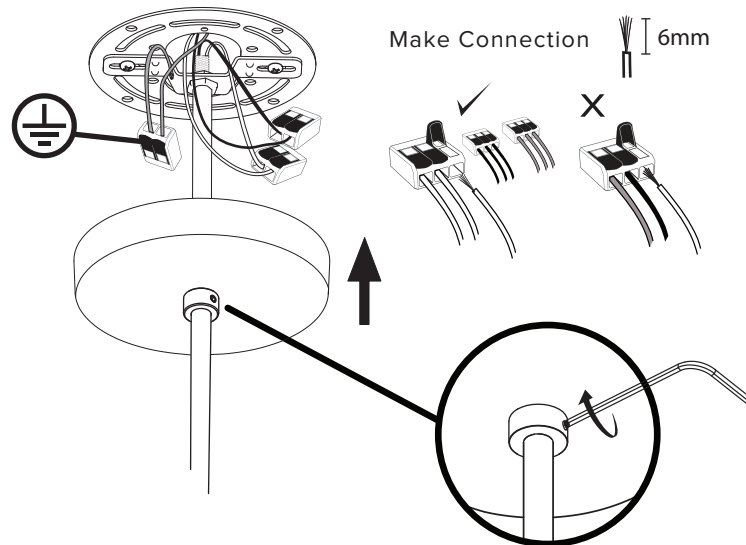
6



7

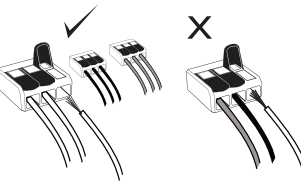


8



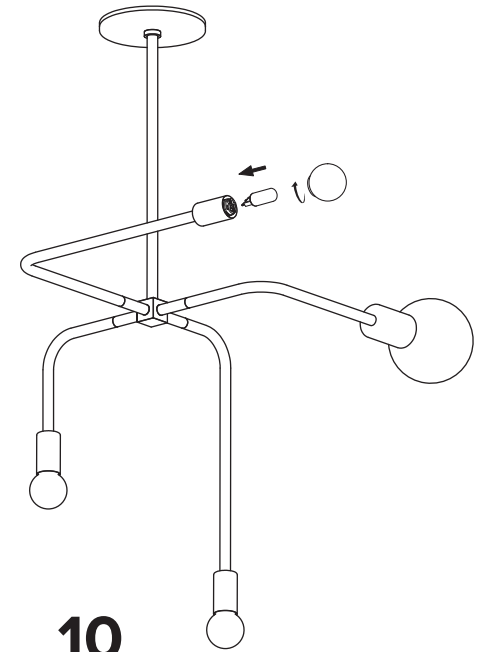
Make Connection

6mm



* Screw gently, but firmly

9



10