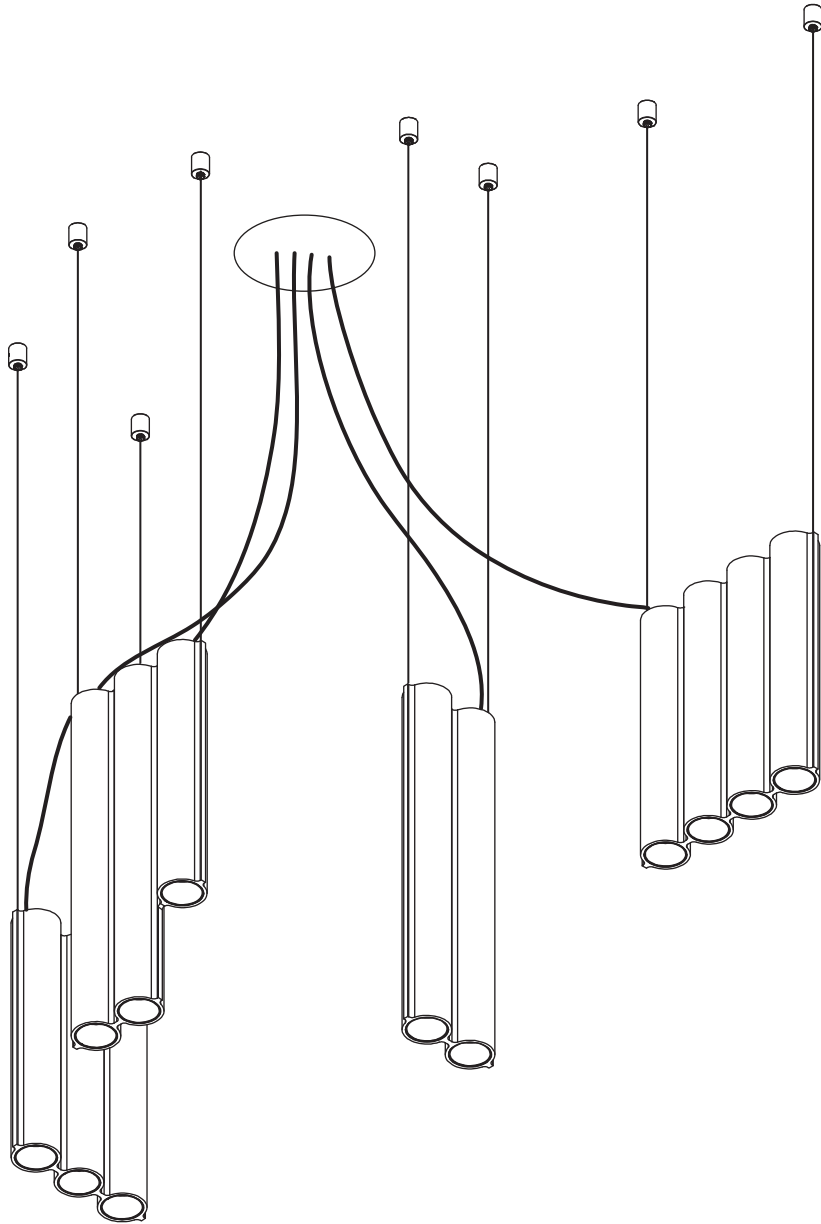

SILO 13 - 120V

(phase and 0+10V dimming)
Plenum or remote installation



- Please read entire manual before beginning installation
- To be installed by an electrician
- Use appropriate screws where necessary
- Wear enclosed gloves when handling lamp
- Handle materials with care. Please consult lamp maintenance sheet on our web site

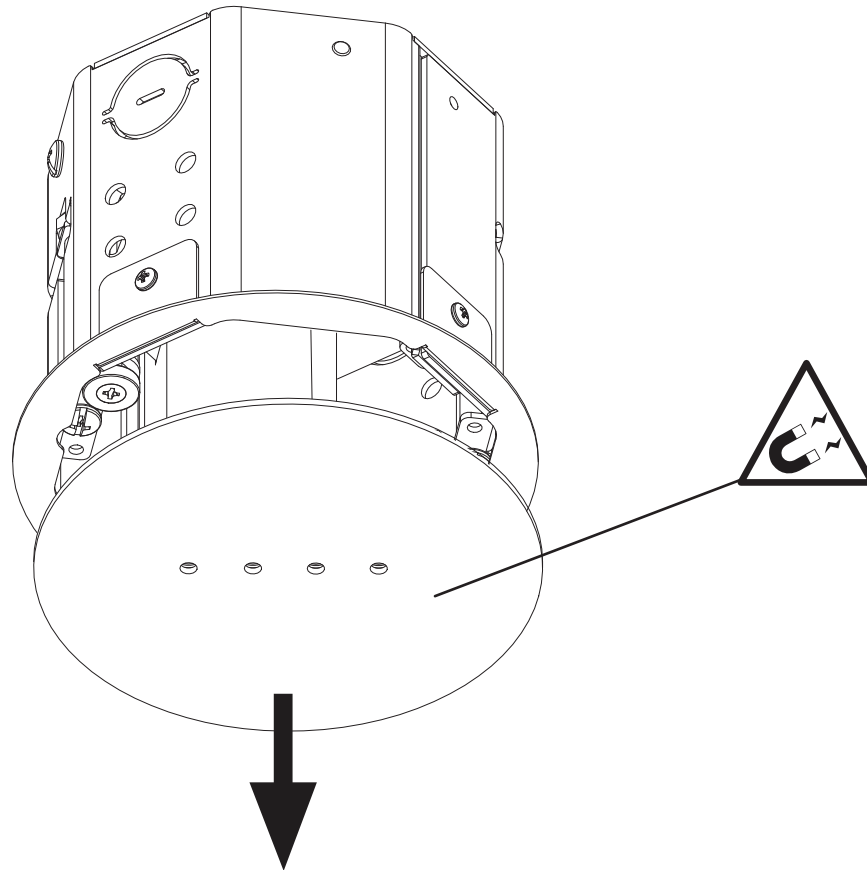


**Never turn on power supply
until installation is completed**

1

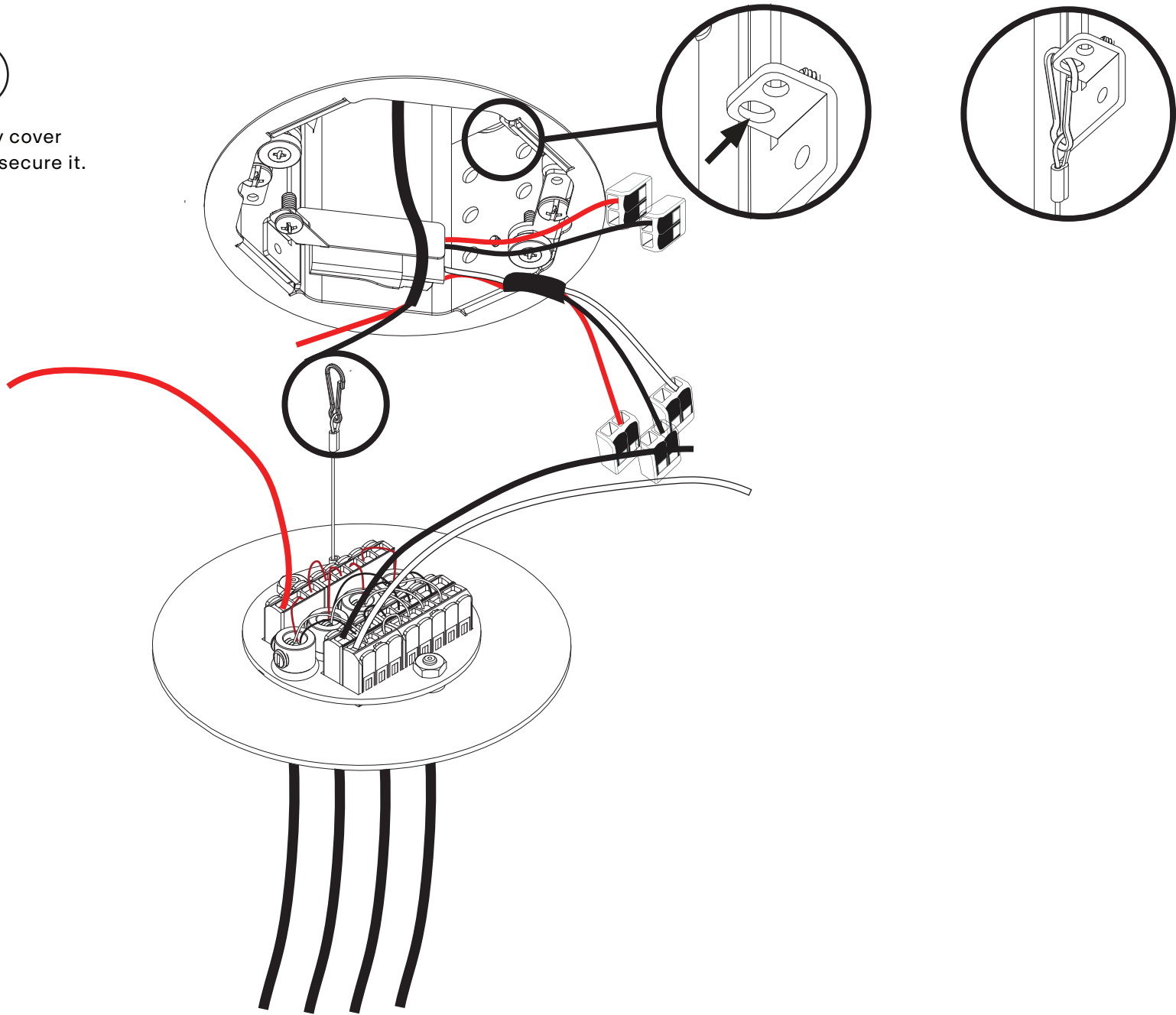
Remove Octobox cover plate.

Refer to:
Annexe A (phase dimming) - page 12
Annexe B (0-10V) - page 18



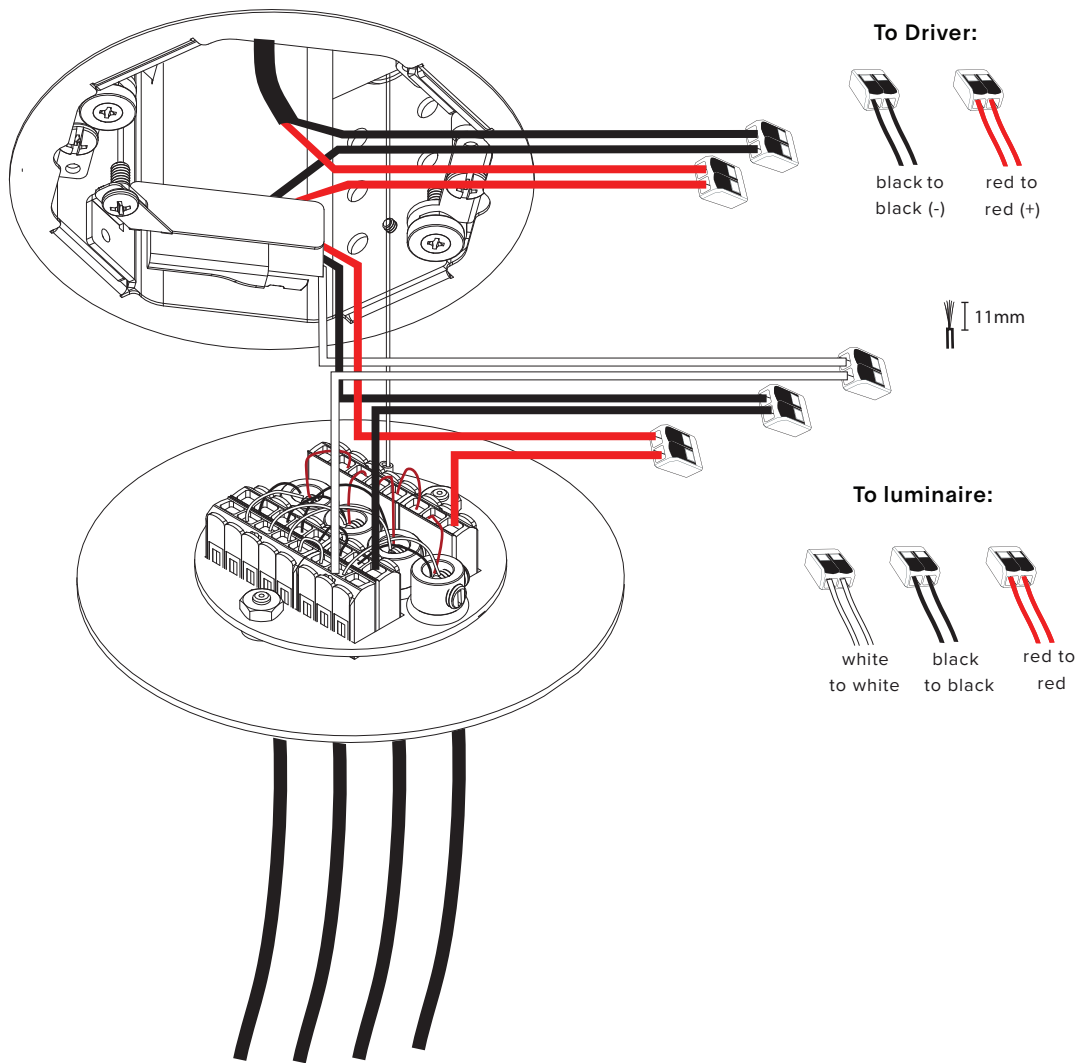
2

Clip canopy cover
to octobox to secure it.

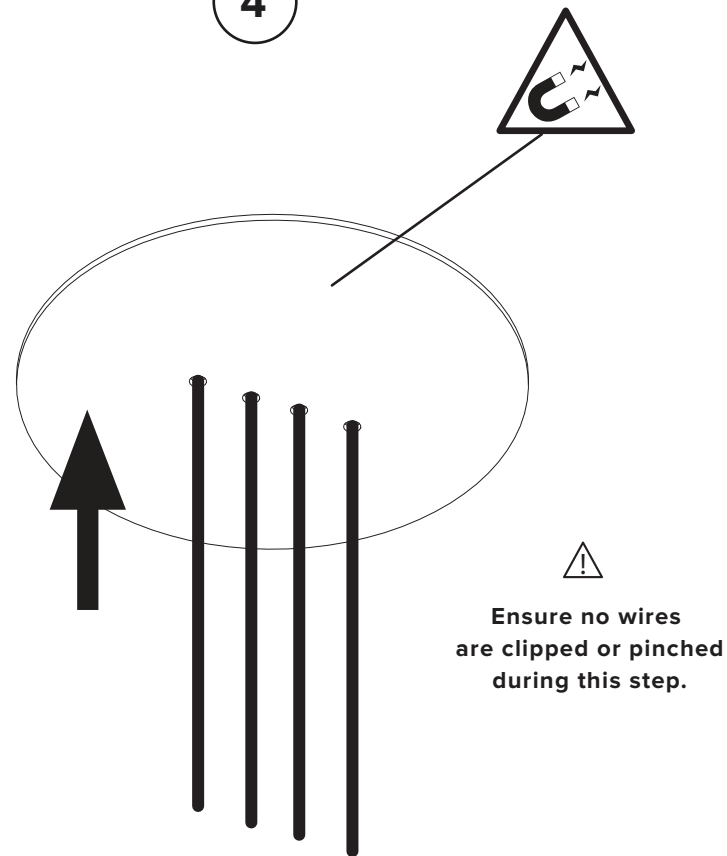


3

Make connections.



4

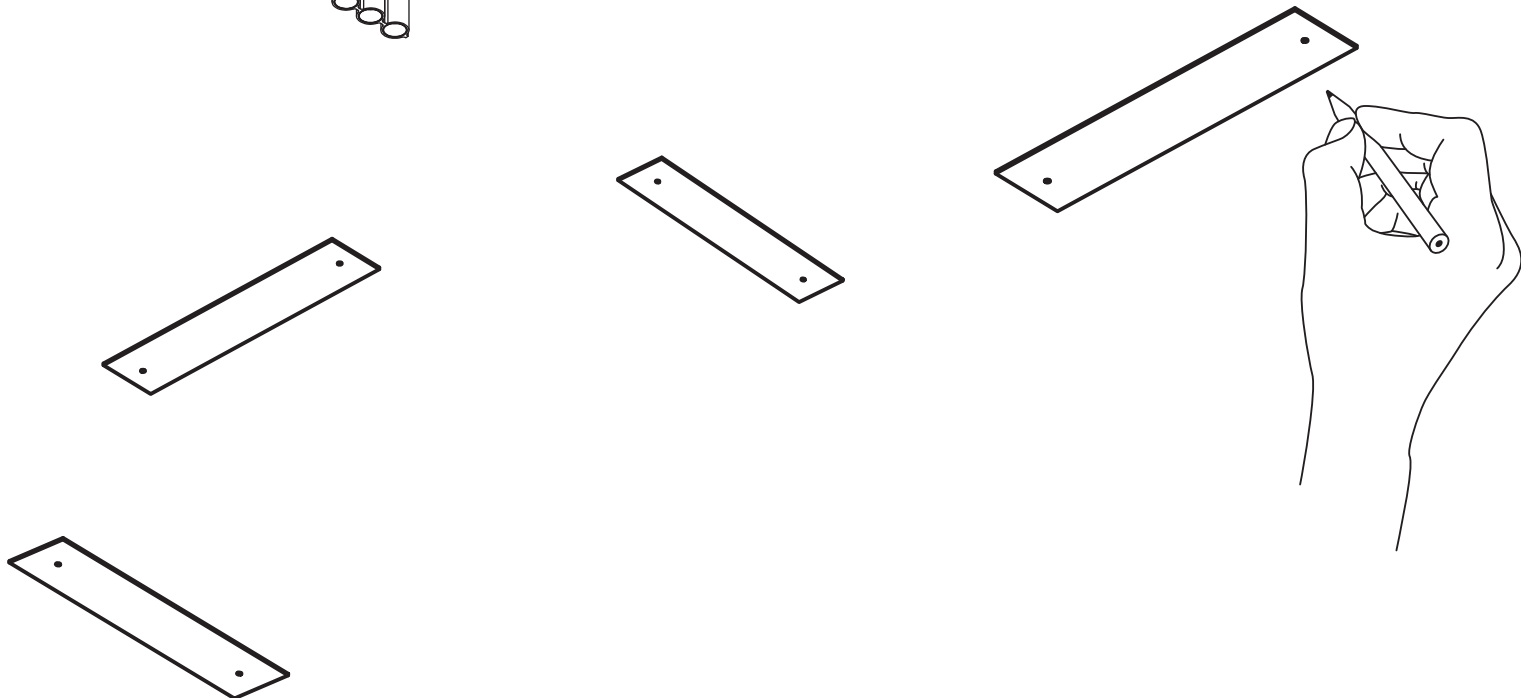
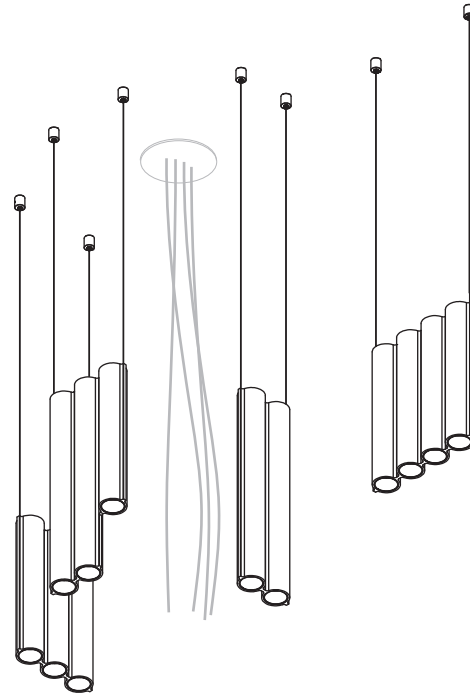


5

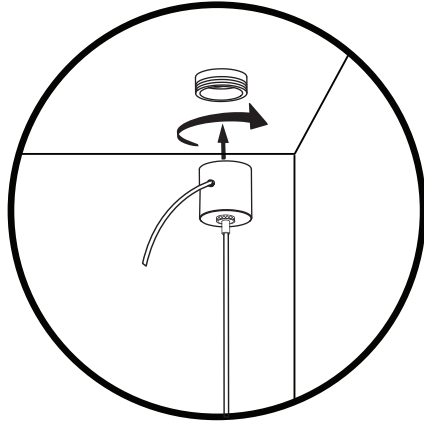
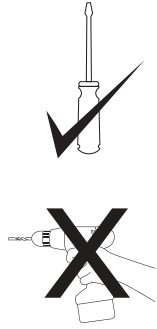
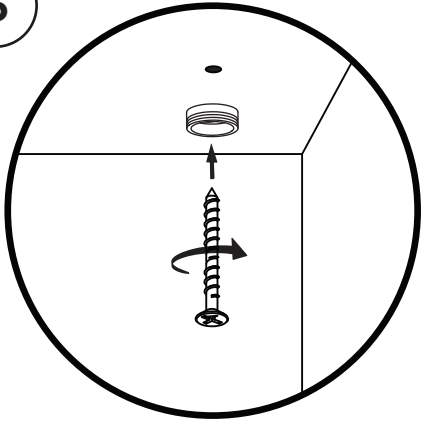
After the recessed canopy is installed, carefully replace the cover plate making sure no wires are clipped or pinched.

Use the templates provided at the end of the manual to position the luminaire and to mark your anchor locations.

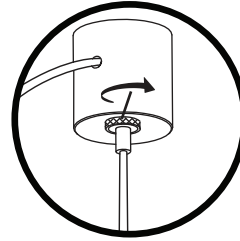
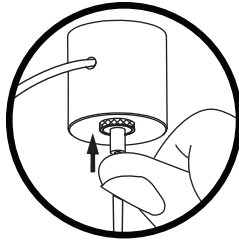
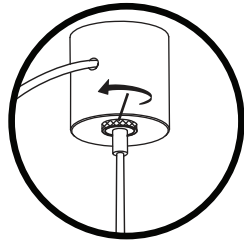
Note that the cord side of the luminaire should be positioned closest to the canopy.



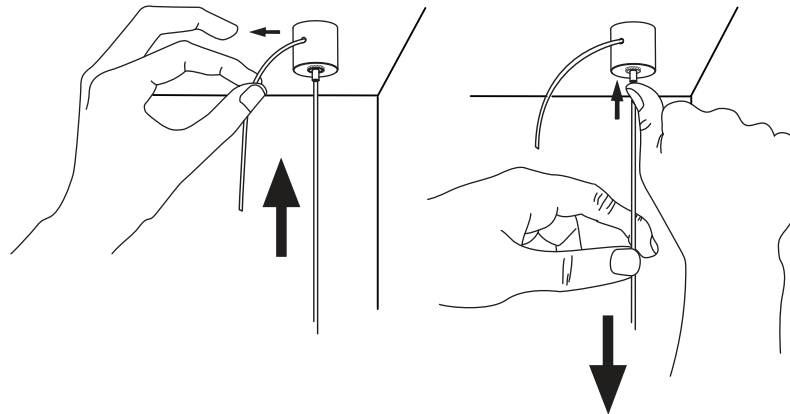
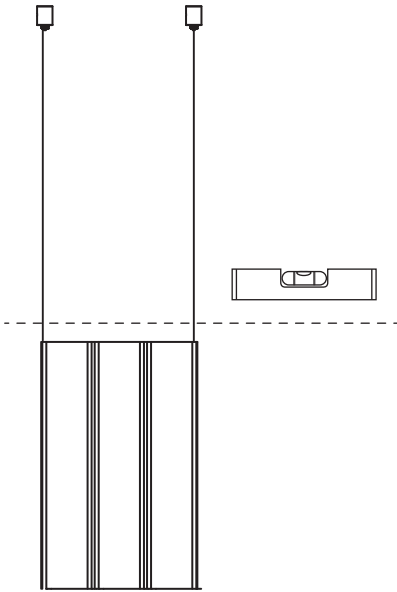
6



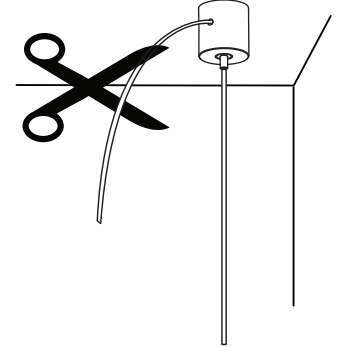
7



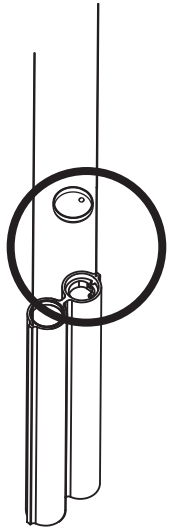
Losen lock, pass wire, make adjustments
and retighten lock to secure cable.



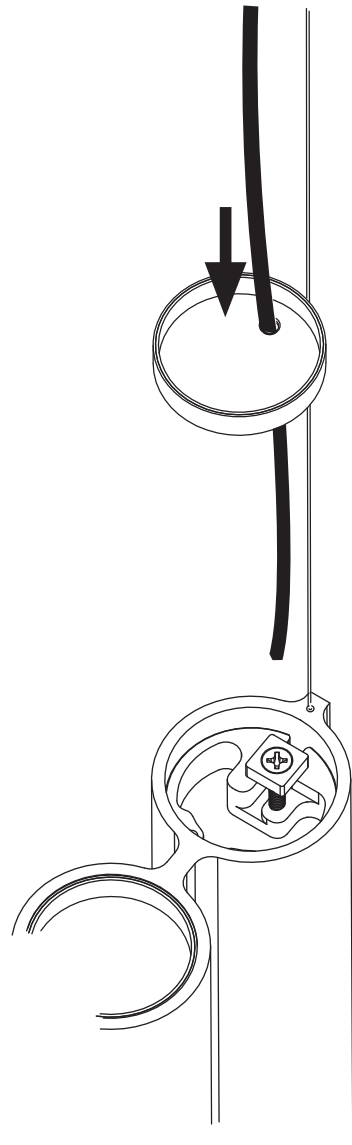
Cut stainless steel cables
ONLY after installation is complete
and luminaires are level.



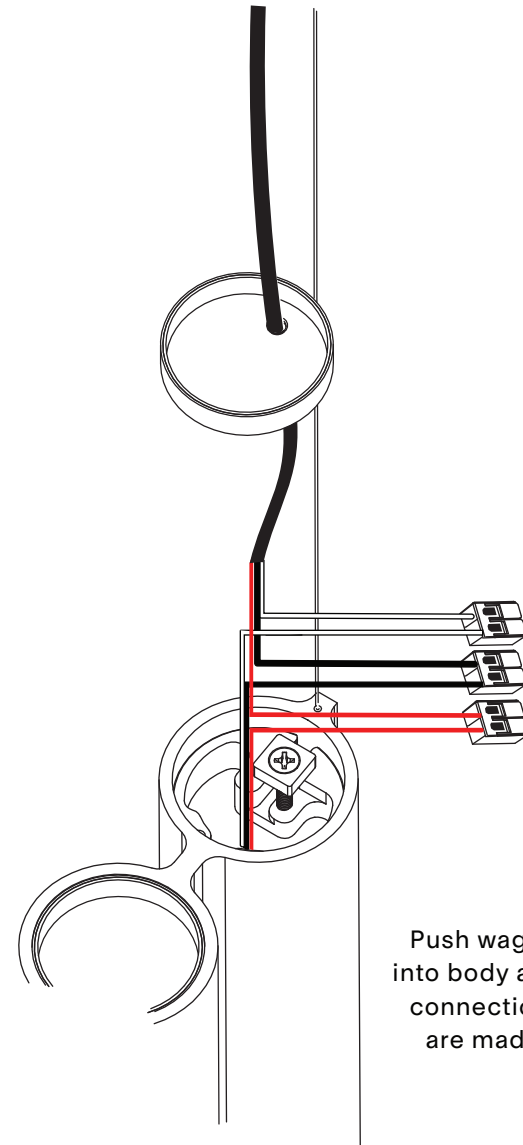
Choose canopy cords closest to luminaire.



8



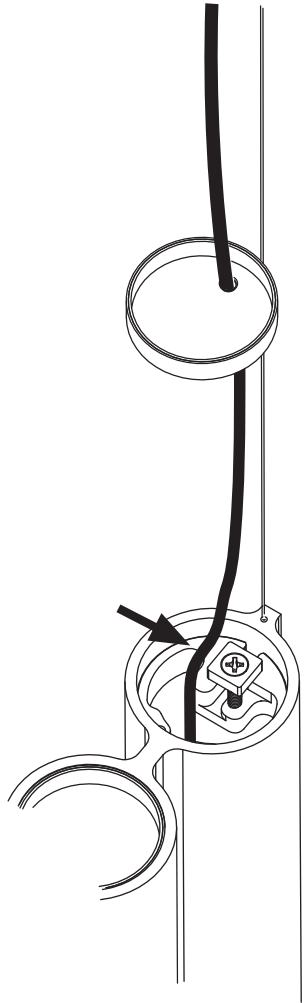
9



white to white
black to black
red to red

Push wagos
into body after
connections
are made

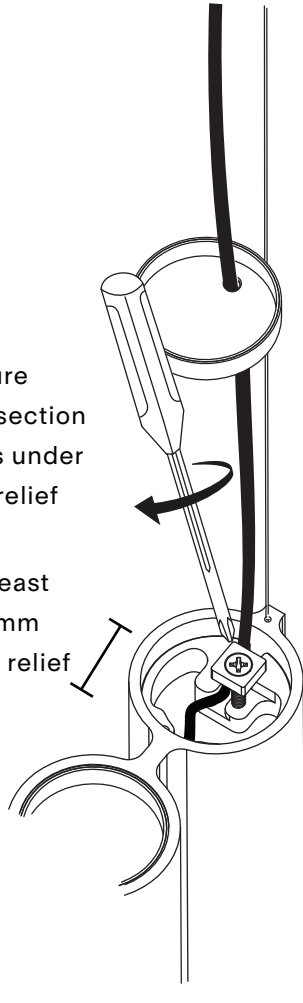
10



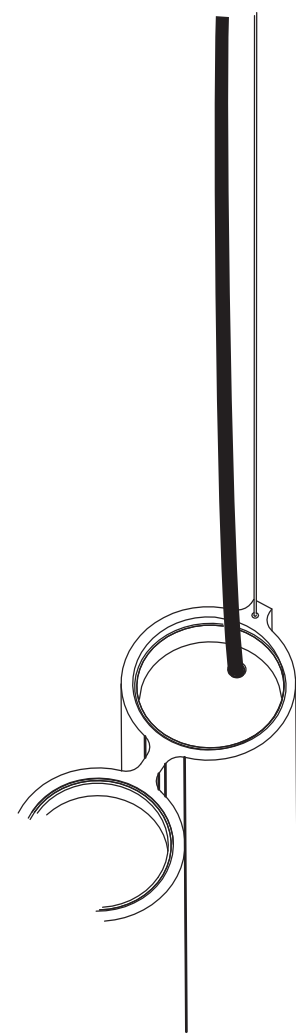
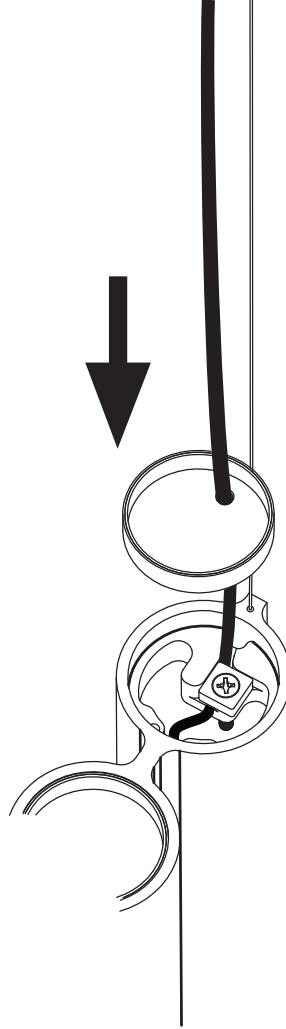
11

Make sure
the sleeved section
of the wire is under
the strain relief

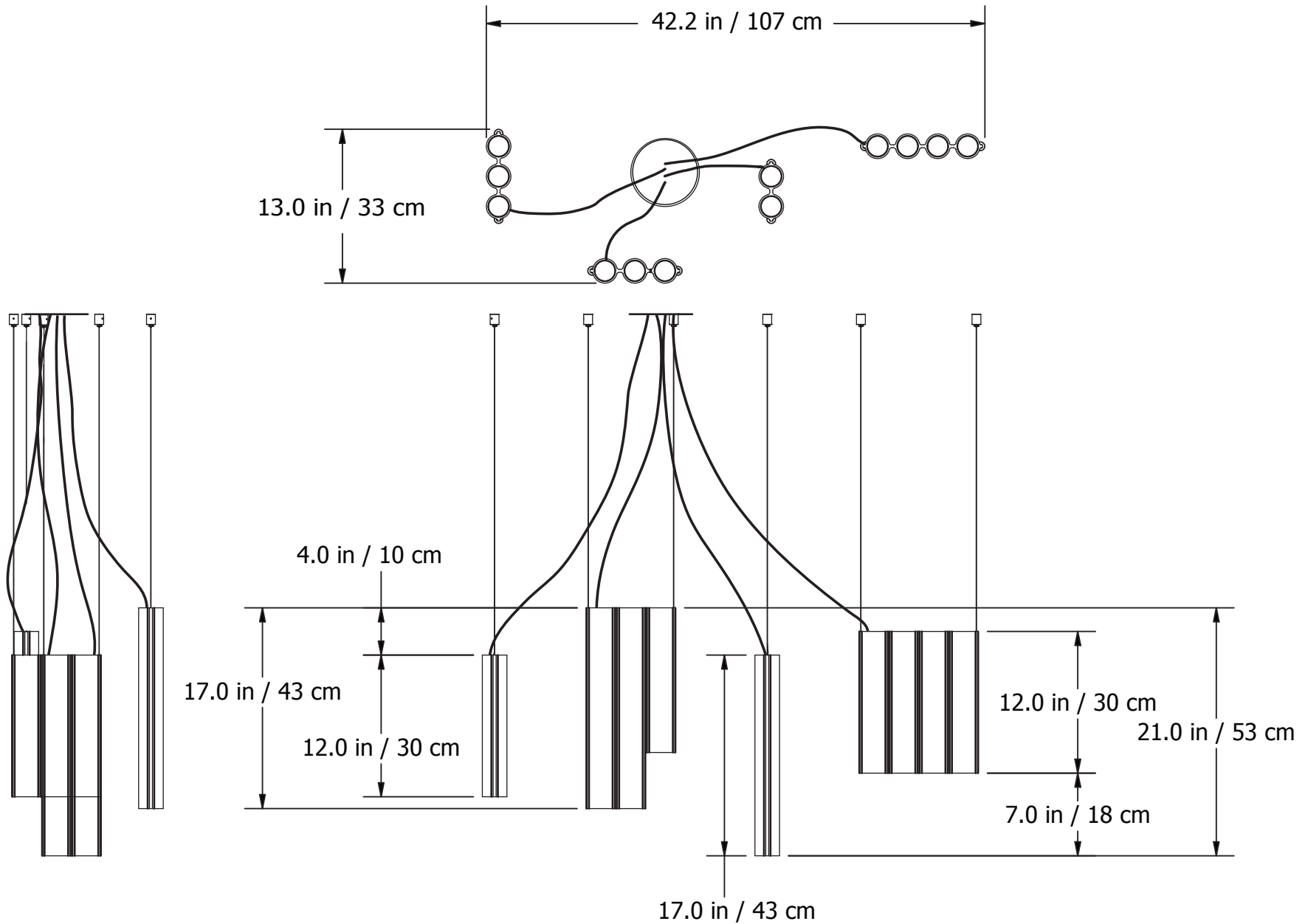
leave at least
1/4" / 7mm
after strain relief

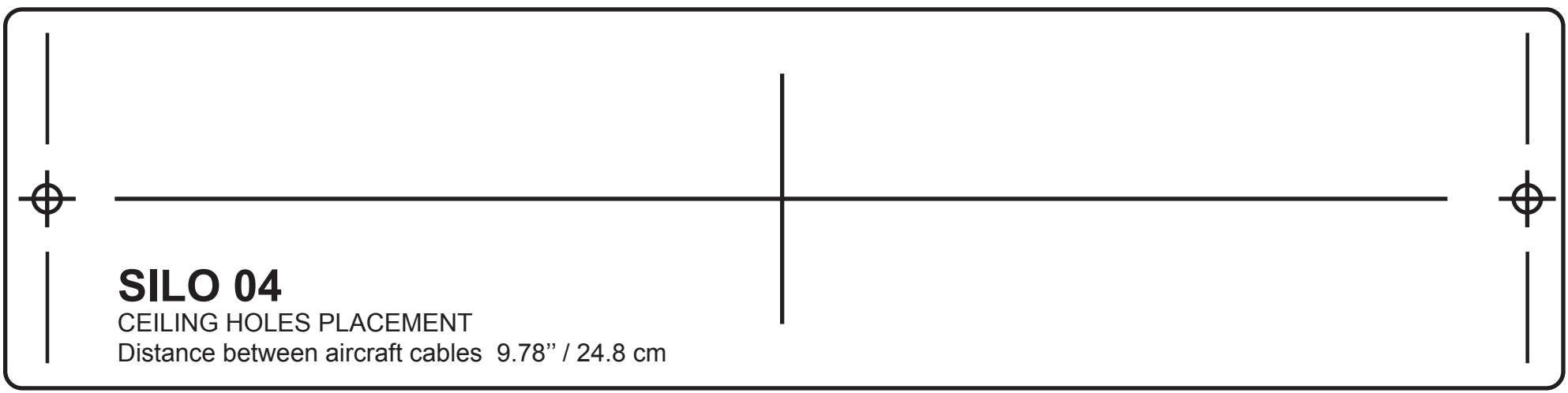
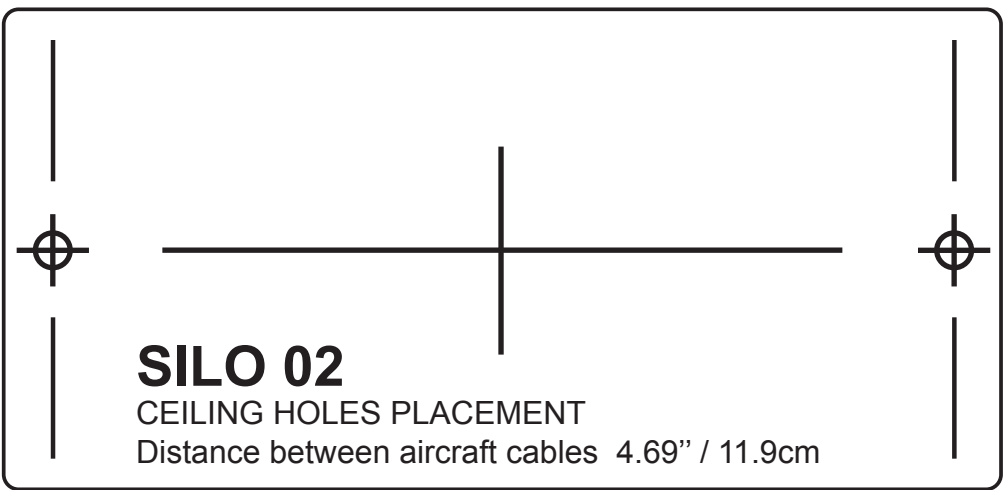


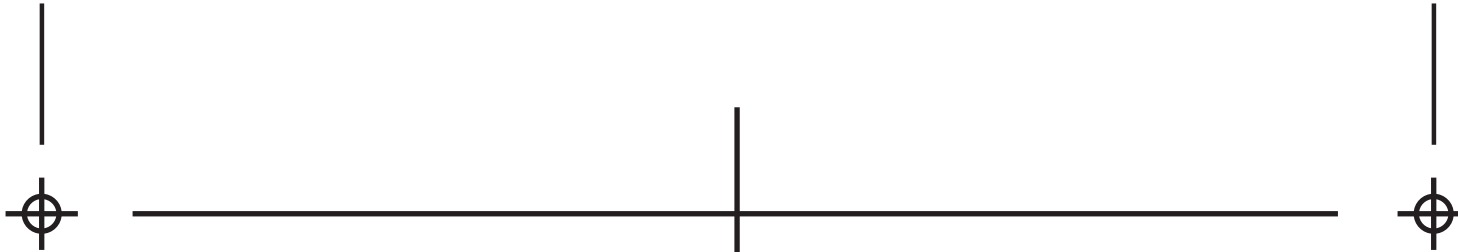
12



Recommended installation plan







SILO 03

CEILING HOLES PLACEMENT

Distance between aircraft cables 7.25" / 18.4 cm



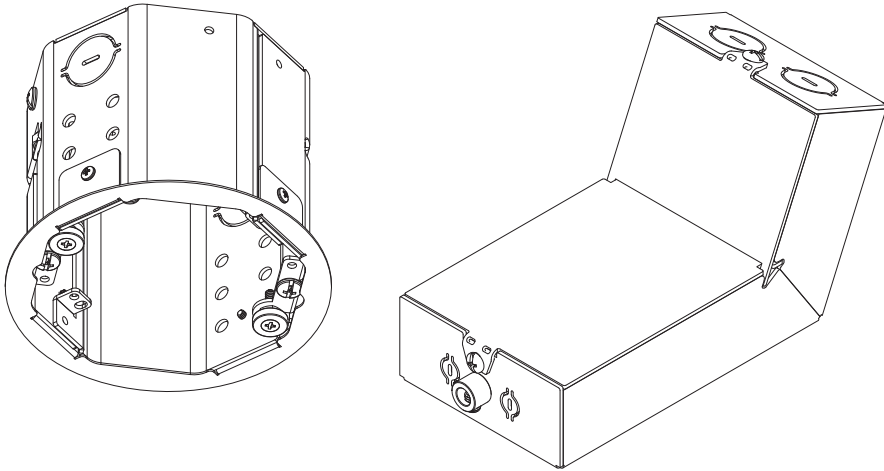
SILO 03


CEILING HOLES PLACEMENT

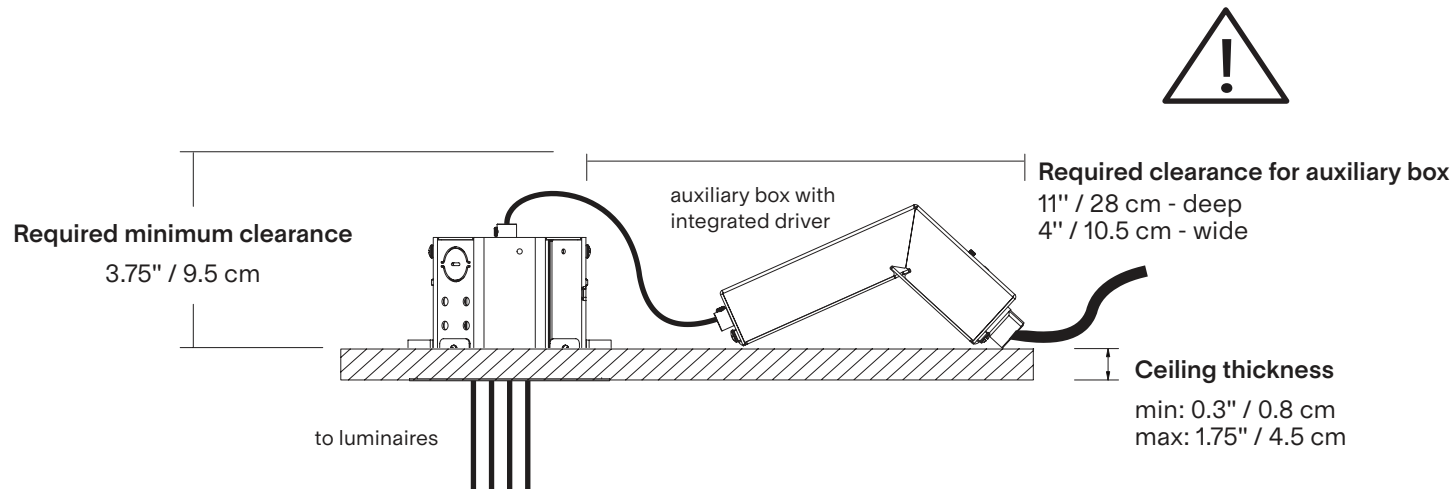
Distance between aircraft cables 7.25" / 18.4 cm

RECESSED CANOPY ANNEX A

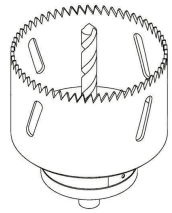
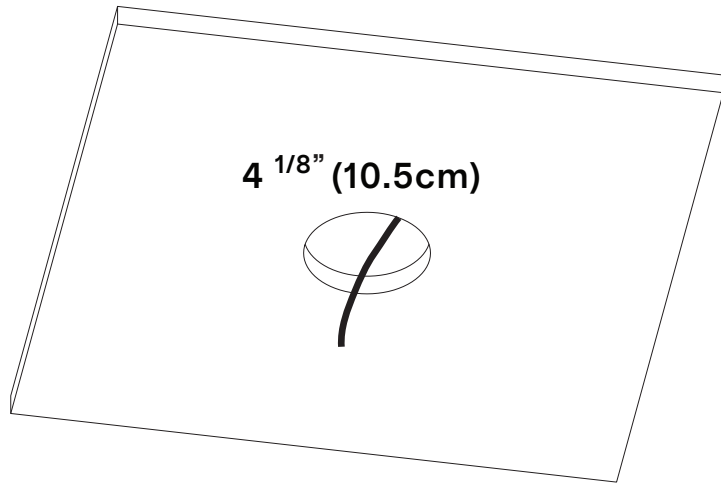
Octobox with auxiliary box (phase and 0+10V dimming) Plenum installation



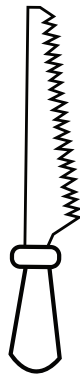
- 
- Please read entire manual before beginning installation
 - To be installed by an electrician
 - Use appropriate screws where necessary
 - For non-insulated hollow ceiling
 - Wires for plenum not provided



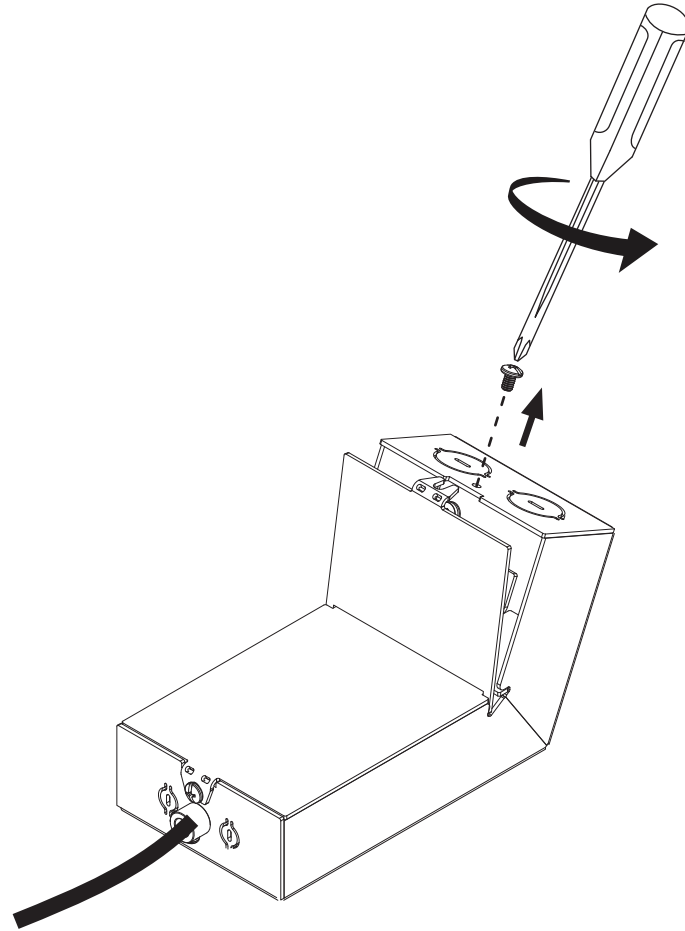
1



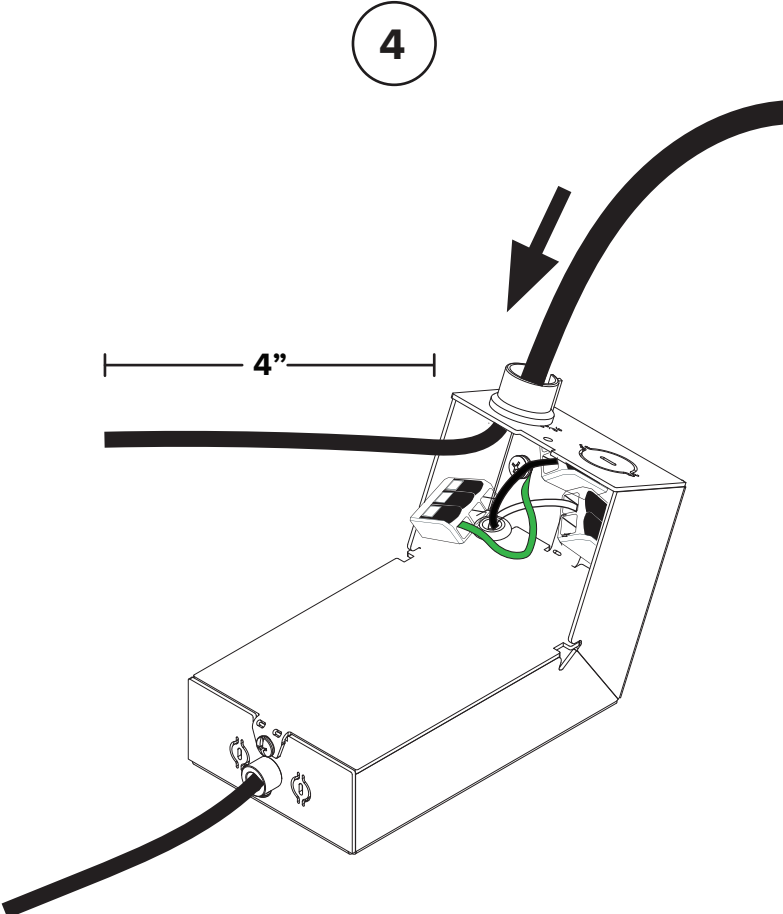
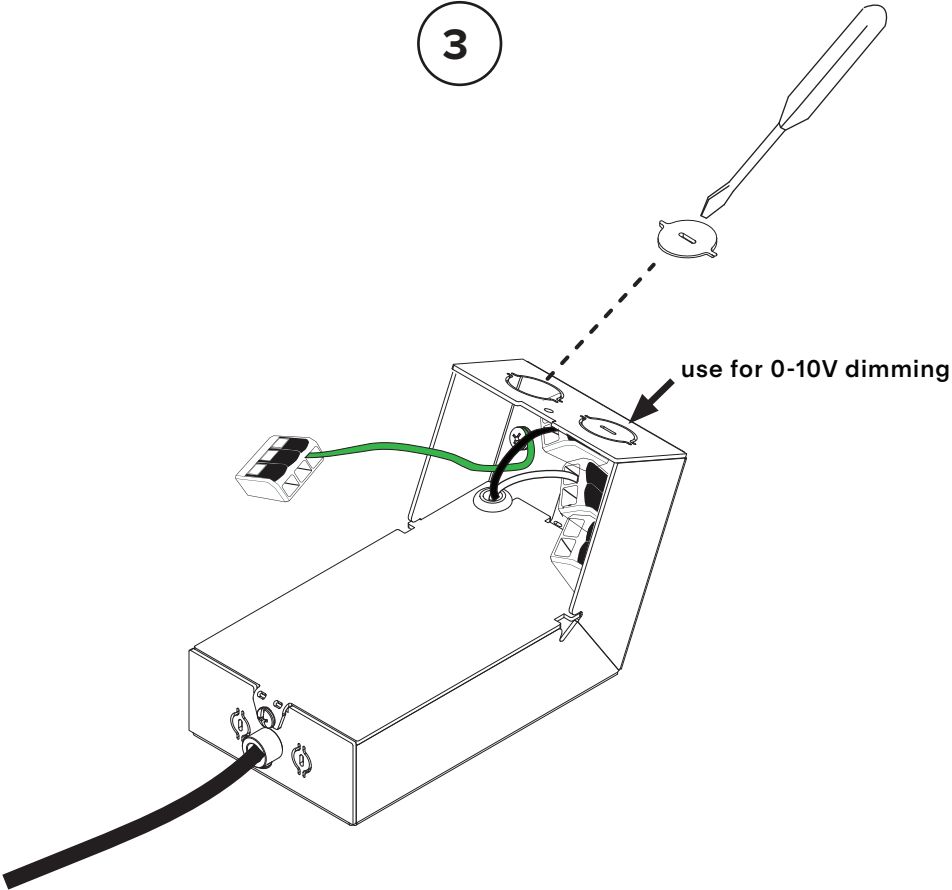
or

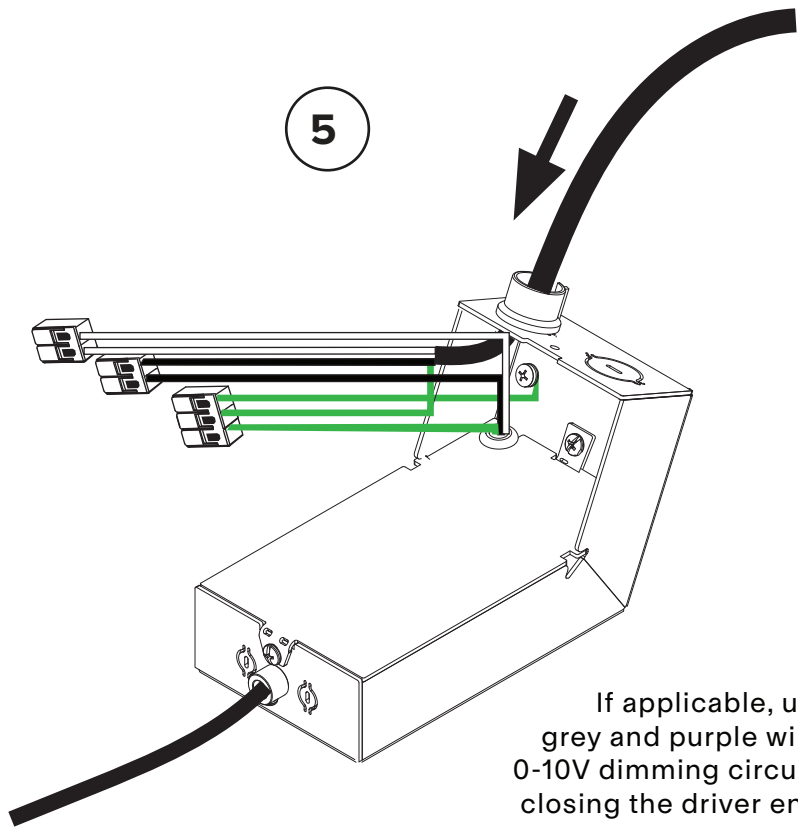


2



PHASE DIMMING REPRESENTATION

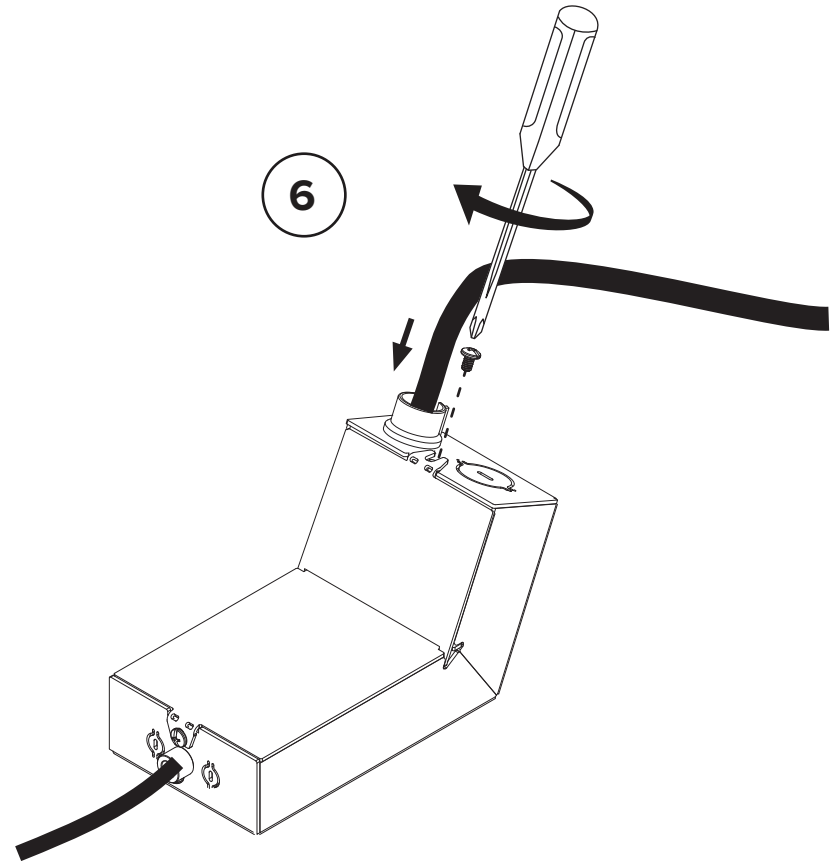




5

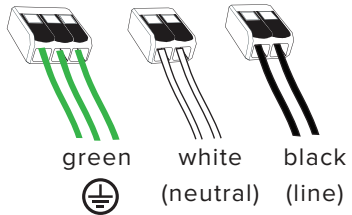
If applicable, use grey and purple wires for 0-10V dimming circuit before closing the driver enclosure.

Cap wires individually if not used.



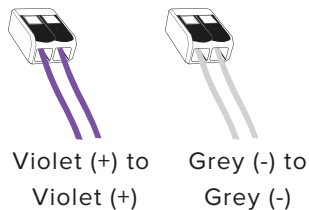
6

for 120 V wiring

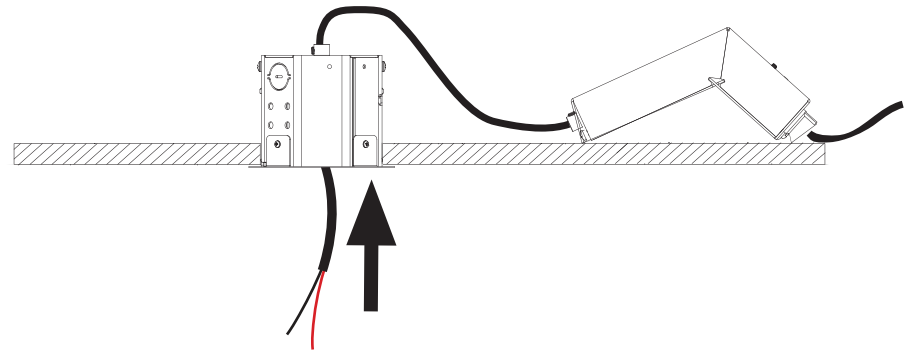
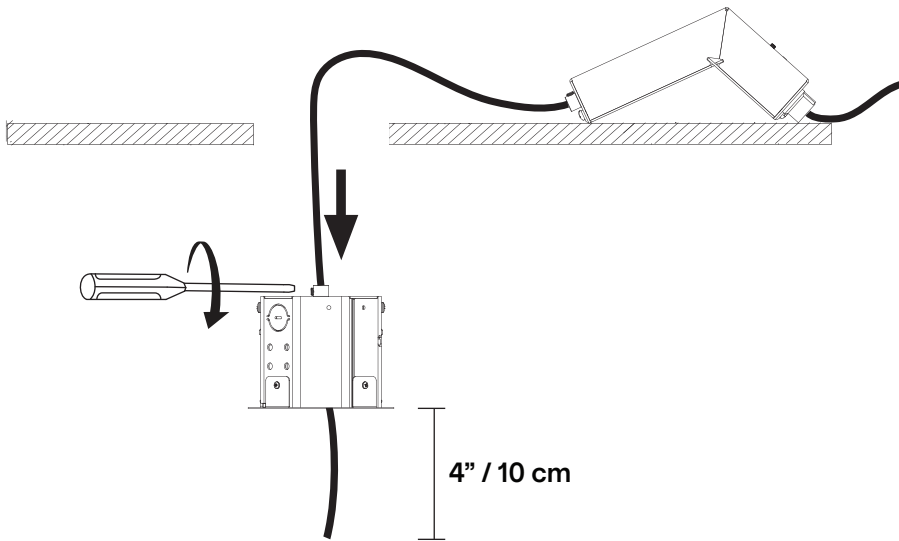
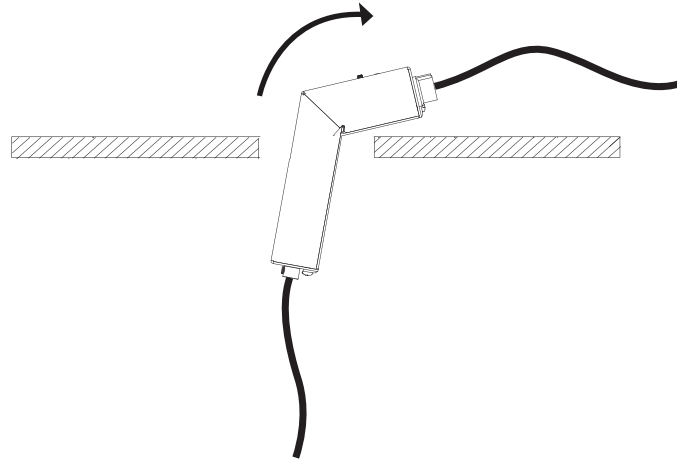
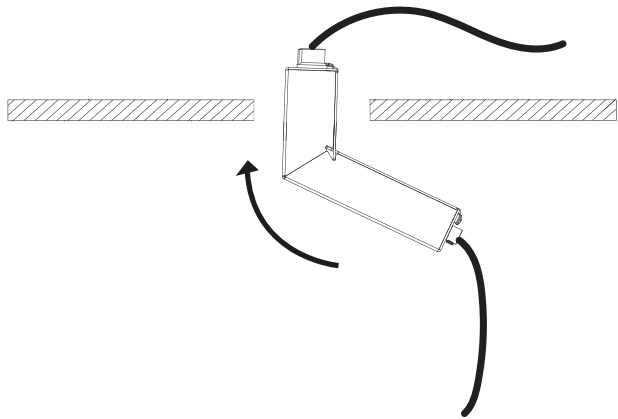


11mm

0-10V dimming

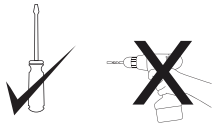
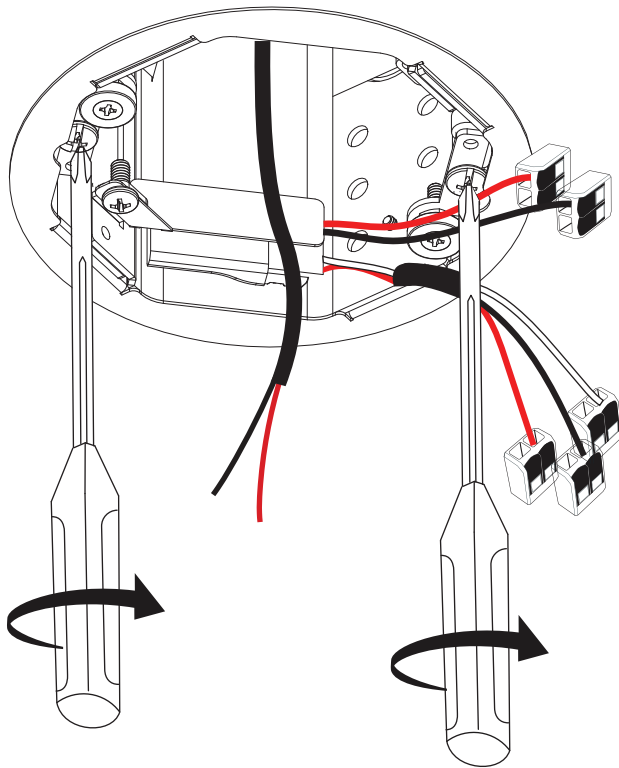


7



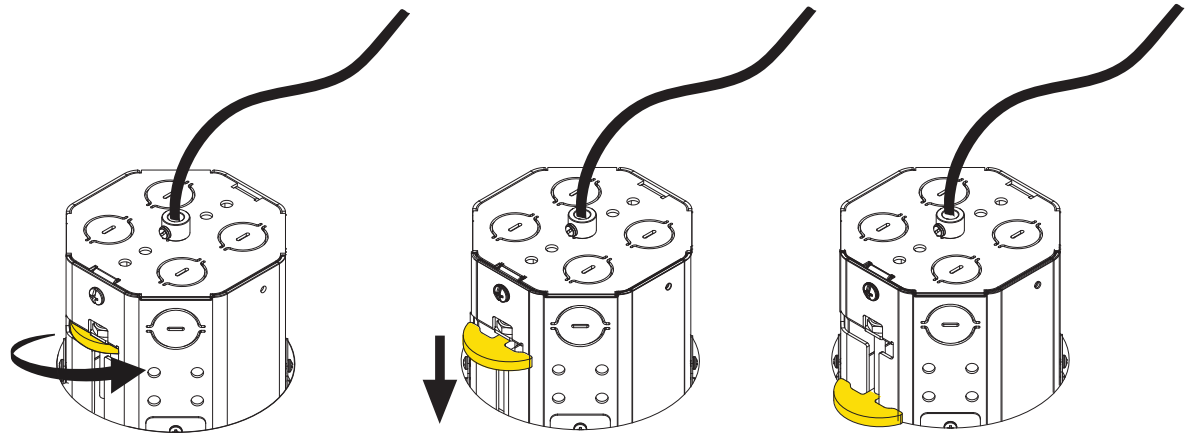
8

View from below

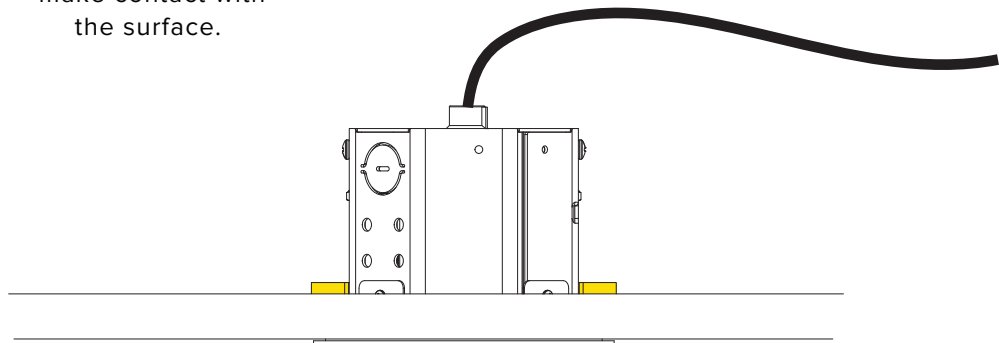


9

View from above



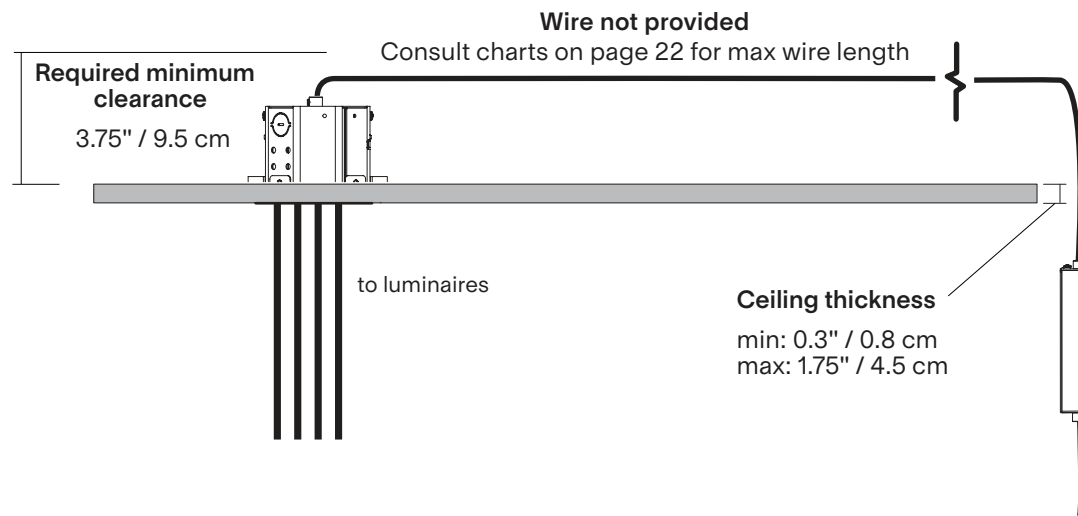
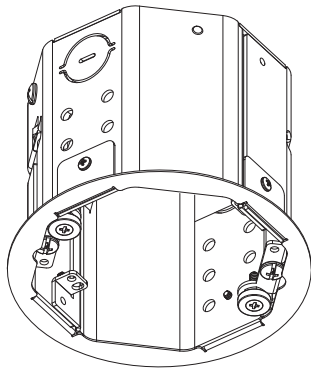
Stop when arms make contact with the surface.



The recessed canopy is now installed, return to luminaire installation steps and follow the instructions (page 3).

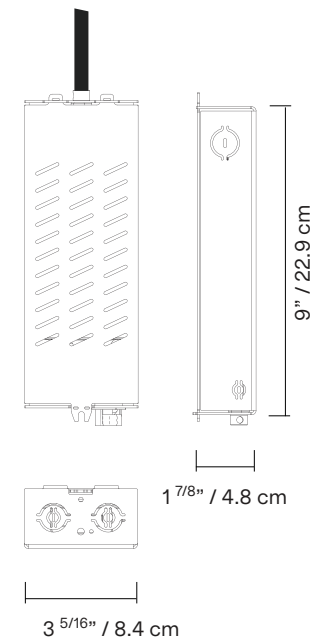
RECESSED CANOPY ANNEX B

Octobox with remote driver
(phase and 0-10V dimming)
Remote installation

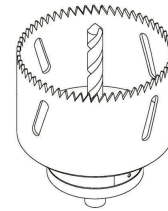
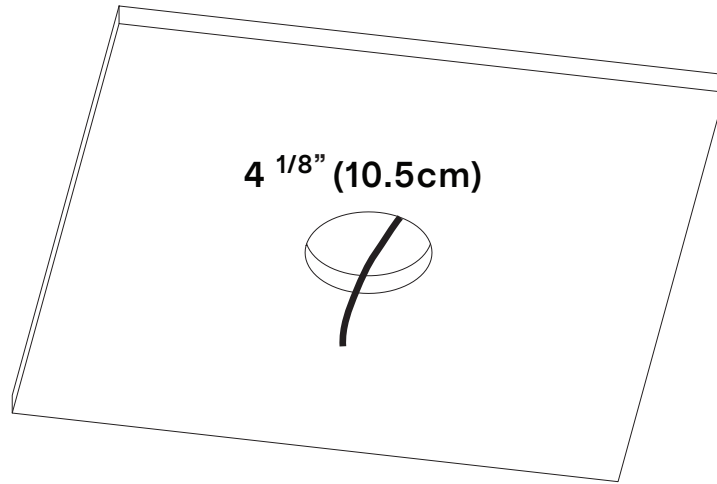


- Please read entire manual before beginning installation
- To be installed by an electrician
- Use appropriate screws where necessary
- For non-insulated hollow ceiling
- Wires for plenum not provided

Remote driver
Install in a well ventilated area.
Must be accessible for maintenance.



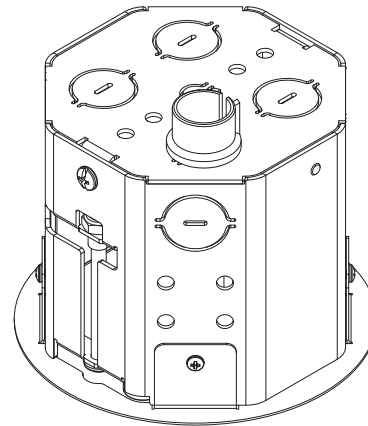
1



or

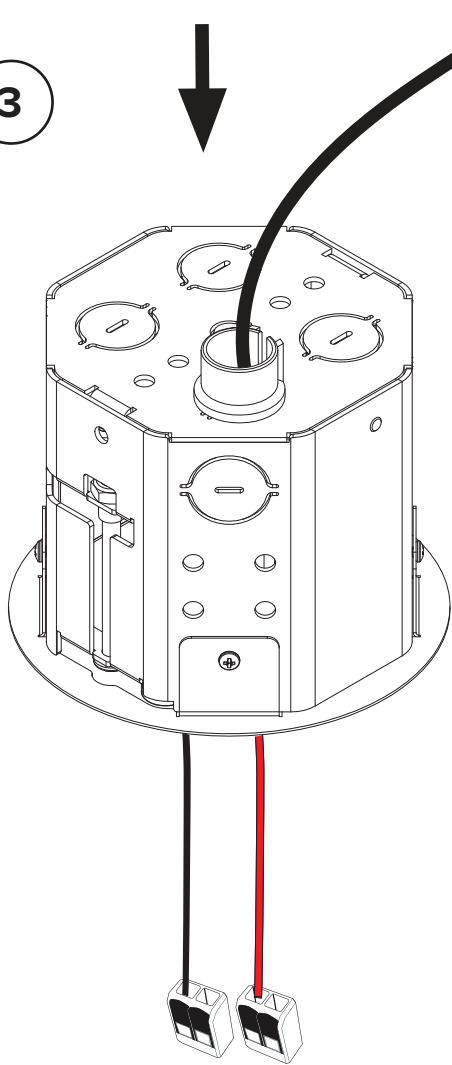


2



Install suitable connectors for
your installation (not included)

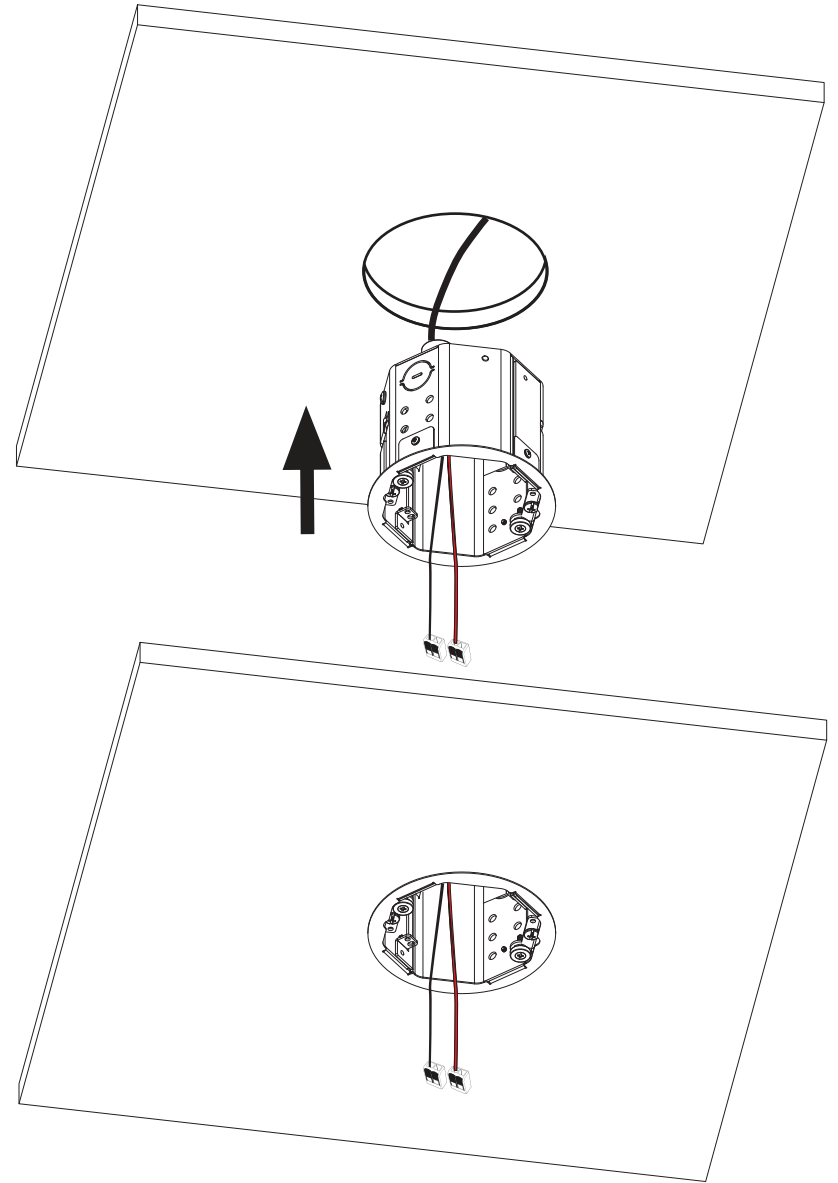
3



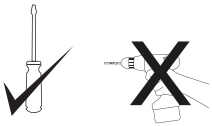
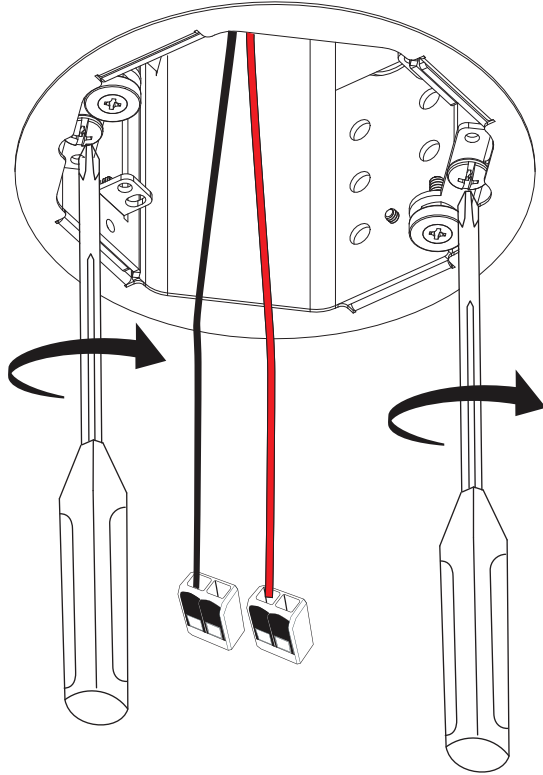
⚠
Ensure no wires
are clipped or pinched
during these steps.

4

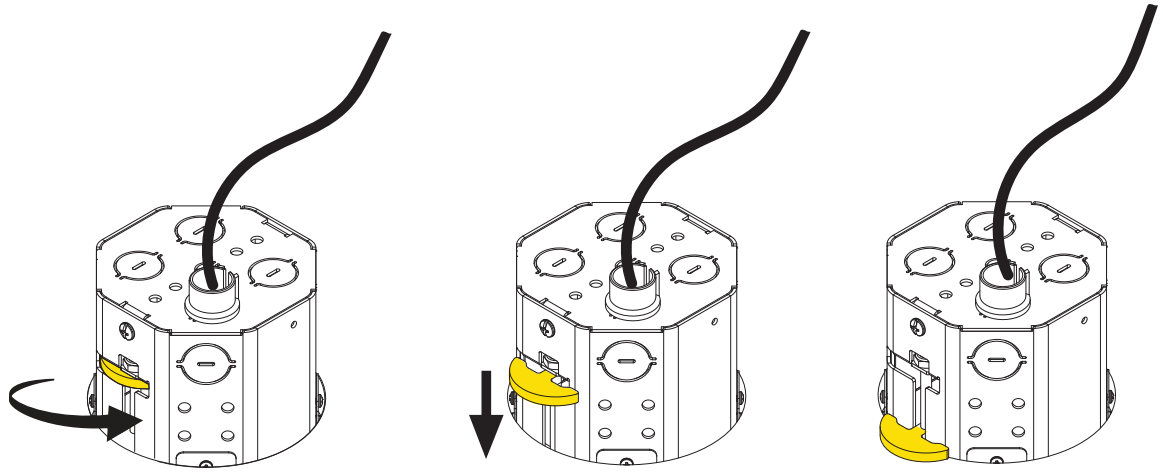
View from below



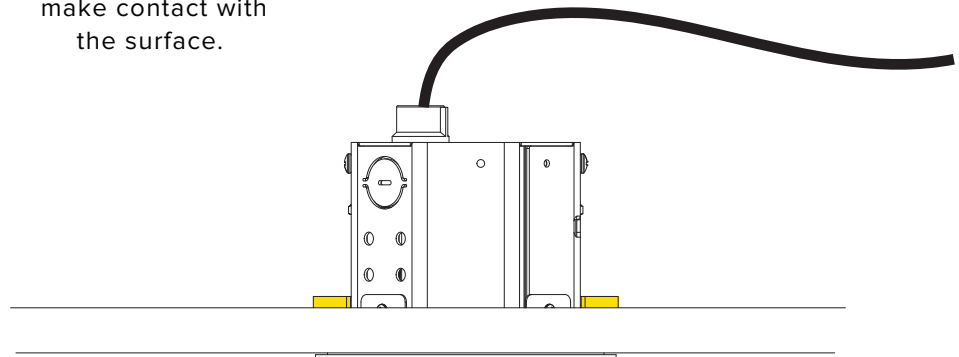
5



View from above



Stop when arms make contact with the surface.

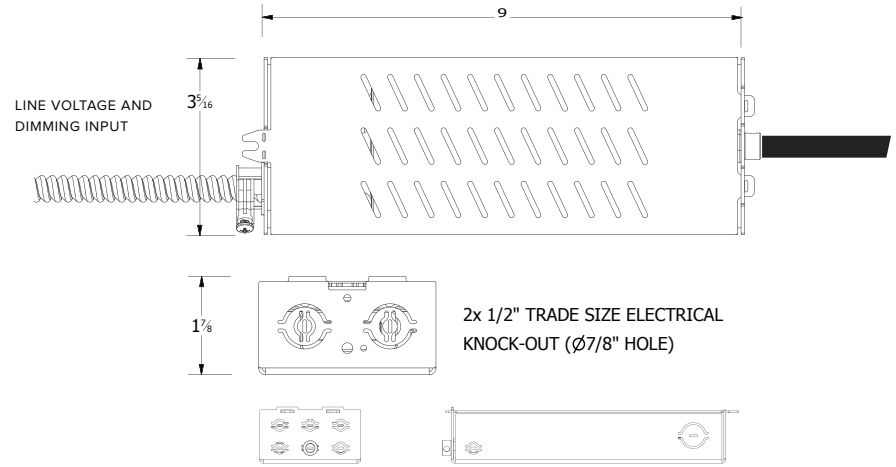


REMOTE DRIVER HOUSING

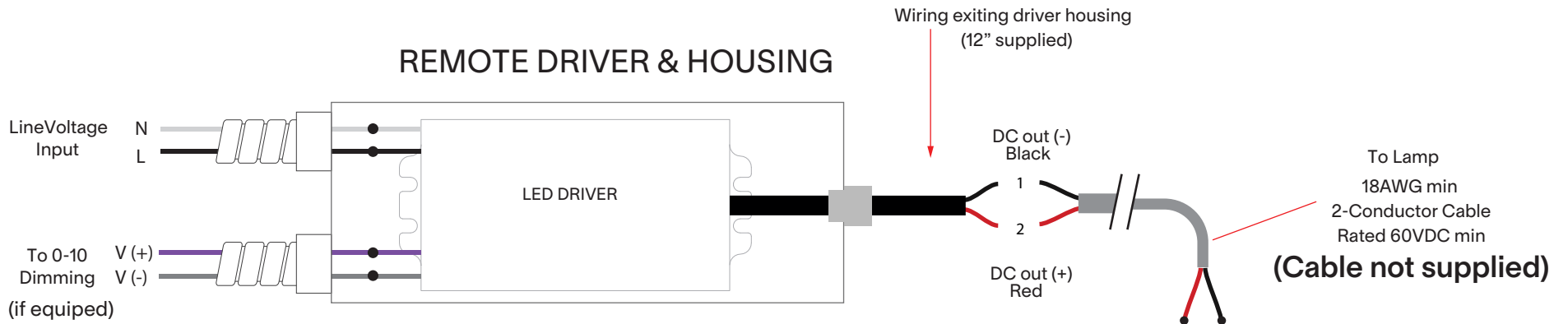
- Must be accessible for maintenance in a well aerated location for heat dissipation

Remote Wire Gauge and Length Allowance Maximum distance between suspended structure internal wiring and remote driver housing

Wire gauge	Max Distance
18AWG	34.4 ft / 10.5m
16AWG	54.7 ft / 16.7m
14AWG	86.9 ft / 26.5m
12AWG	138.2 ft / 42.1m



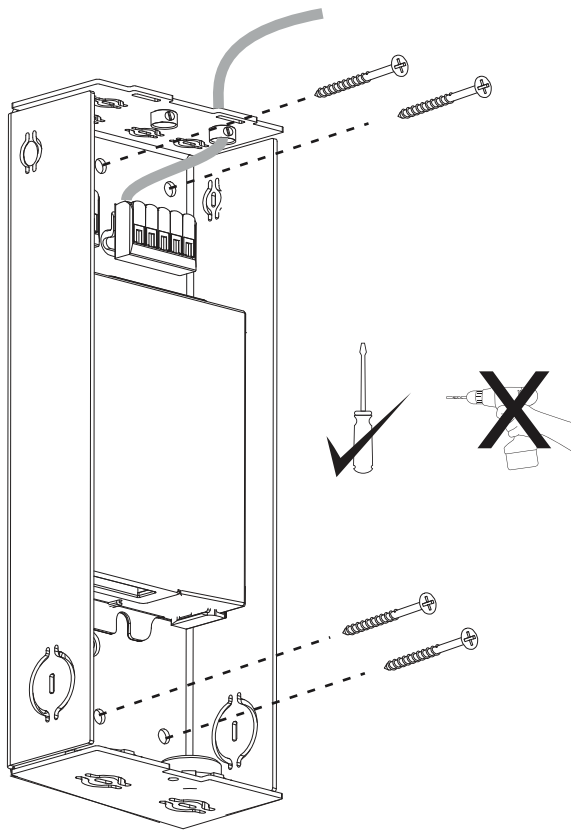
REMOTE DRIVER & HOUSING



6

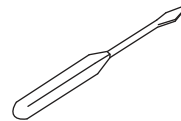
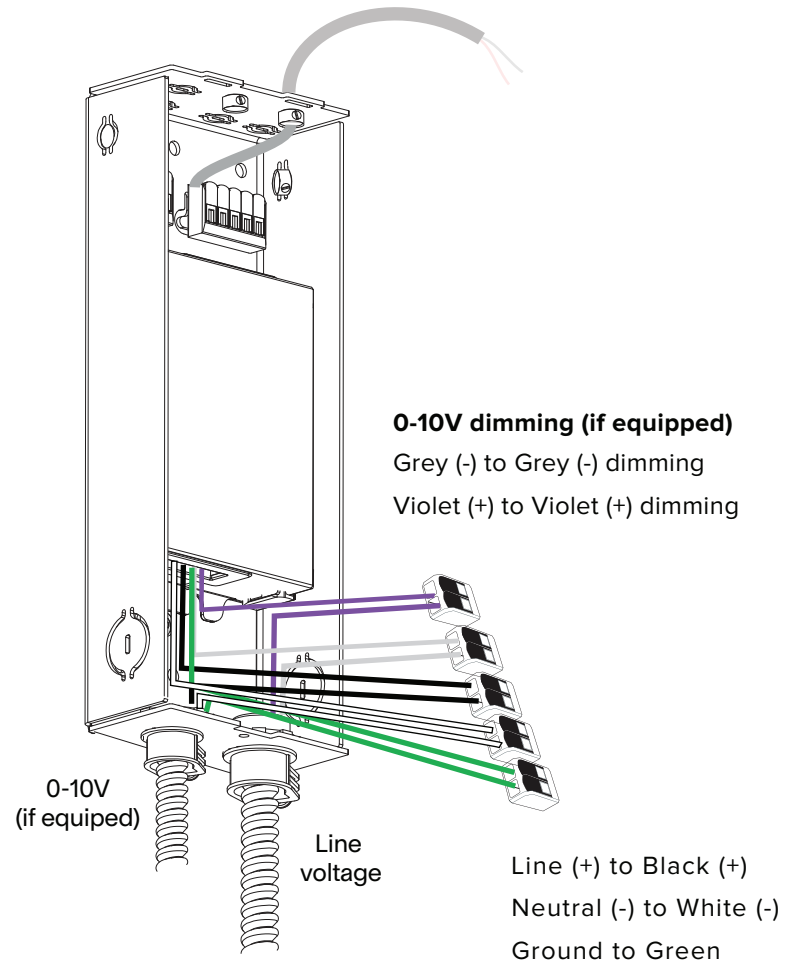
Remove cover and mount driver housing to wall.

Screws not provided.



7

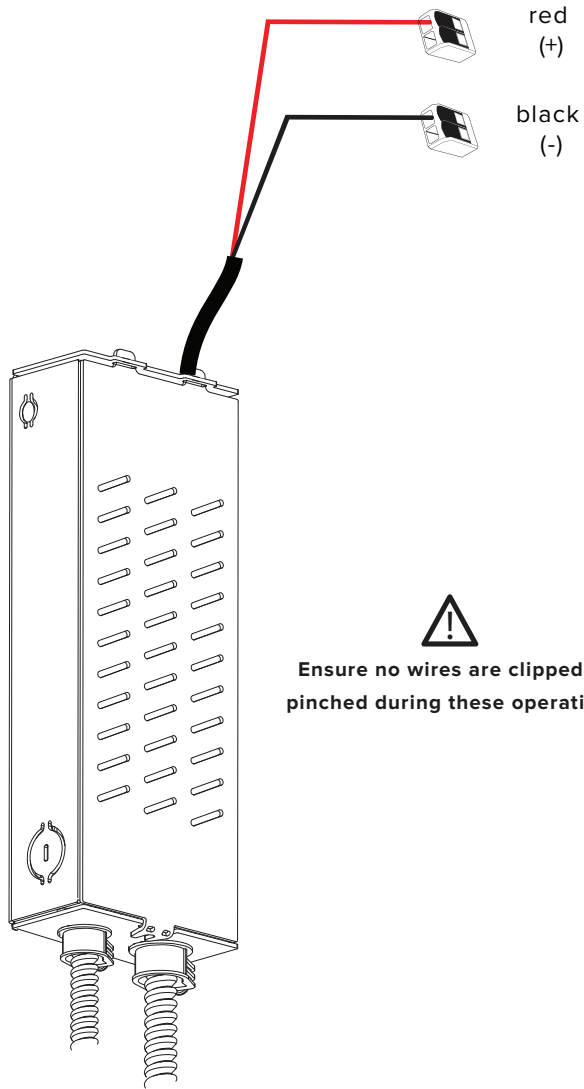
Make Line Voltage and dimming connections to driver wiring.



Use a screwdriver to knock out tab, then secure cables (not supplied)

8

Close driver housing and
make low voltage connections.



9

The recessed canopy is now
installed, return to luminaire installation
steps and follow the instructions (page 3).

⚠
Ensure no wires are clipped or
pinched during these operations.