






# Isle 14



An ode to quiet strength, Isle is a play both on illusion and perception allowing lightness to anchor and foundations to rise. Composed of a delicate glass tube resting on solid-stone and aluminum pedestals and suspended in mid-air like a surreal bridge, Isle is minimal, but never simplistic.

<b>TYPE</b>	Suspension
<b>CONSTRUCTION</b>	Frosted glass tube Polished aluminum or marble block Polished aluminum endcap, canopy and anchors Polyester cord
<b>SPECIFICATIONS</b>	Power consumption: 52W  Colour temperature: 3000K 2700K dim to warm 3000K to 2200K dim to warm 2700K to 2200K  Lumen output: 2700K - 2815 lm  Colour rendering index: ≥90 CRI Colour consistency: 3 SDCM Expected lifetime: ≥50 000h
<b>CONTROL</b>	120/277V on/off, 0-10V, or phase dimming 220-240V: On/Off, Phase Dimming, DALI Refer to our recommended list of dimmer models on page 6
<b>CORD LENGTH</b>	Mains/line cords- 120" / 304 cm Non-electrical cords- 96" / 244 cm
<b>WEIGHT</b>	ISL03B- 20.5lb / 9.3Kg ISL02B- 16.5lb / 7.5Kg ISL01B- 12lb / 5.4Kg
<b>CERTIFICATIONS</b>	     IP20
<b>WARRANTY</b>	2 years

## ISLE 14 - COLOUR PALETTE 1

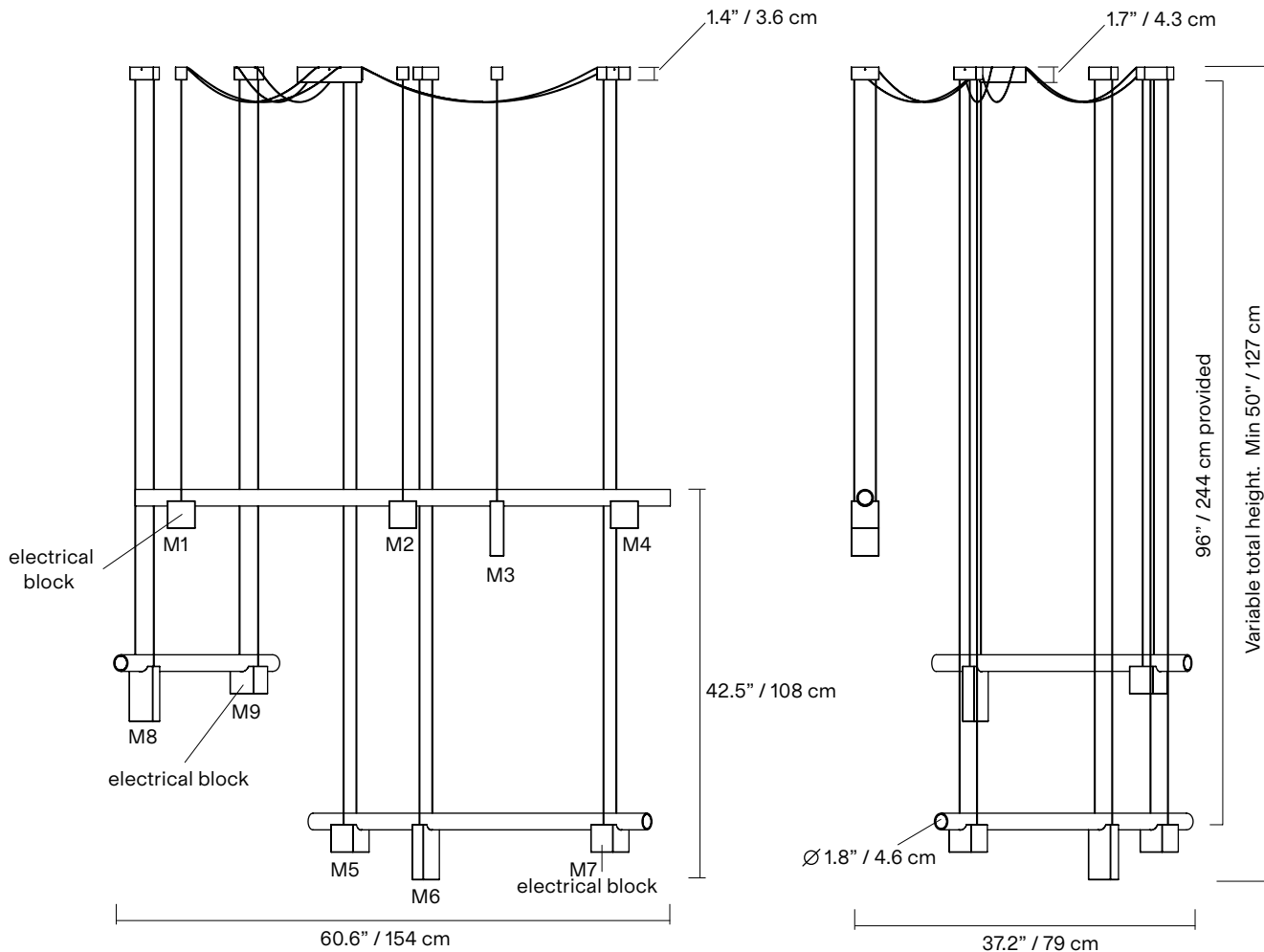
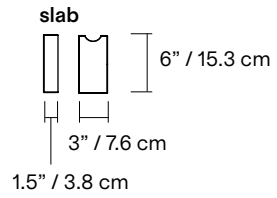
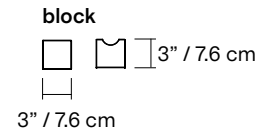
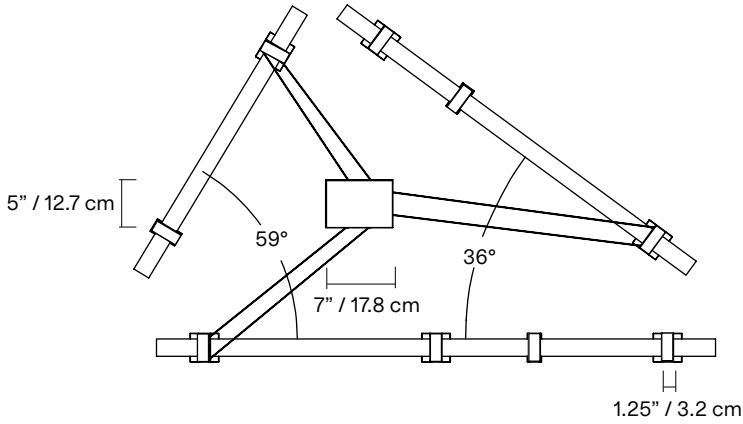
ISL03B: Black Marquina + Polished Aluminum + Black Marquina + Polished Aluminum

ISL02B: Polished Aluminum + Black Marquina + Polished Aluminum

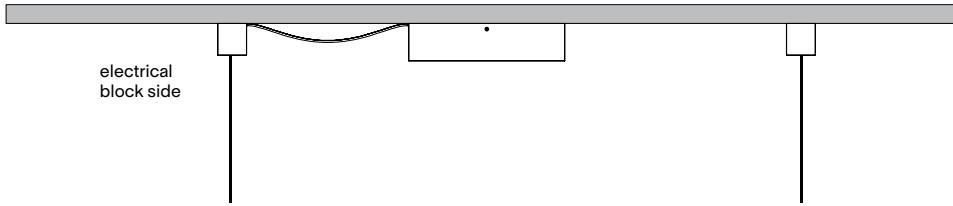
ISL01B: Polished Aluminum + Black Marquina

## NOTES

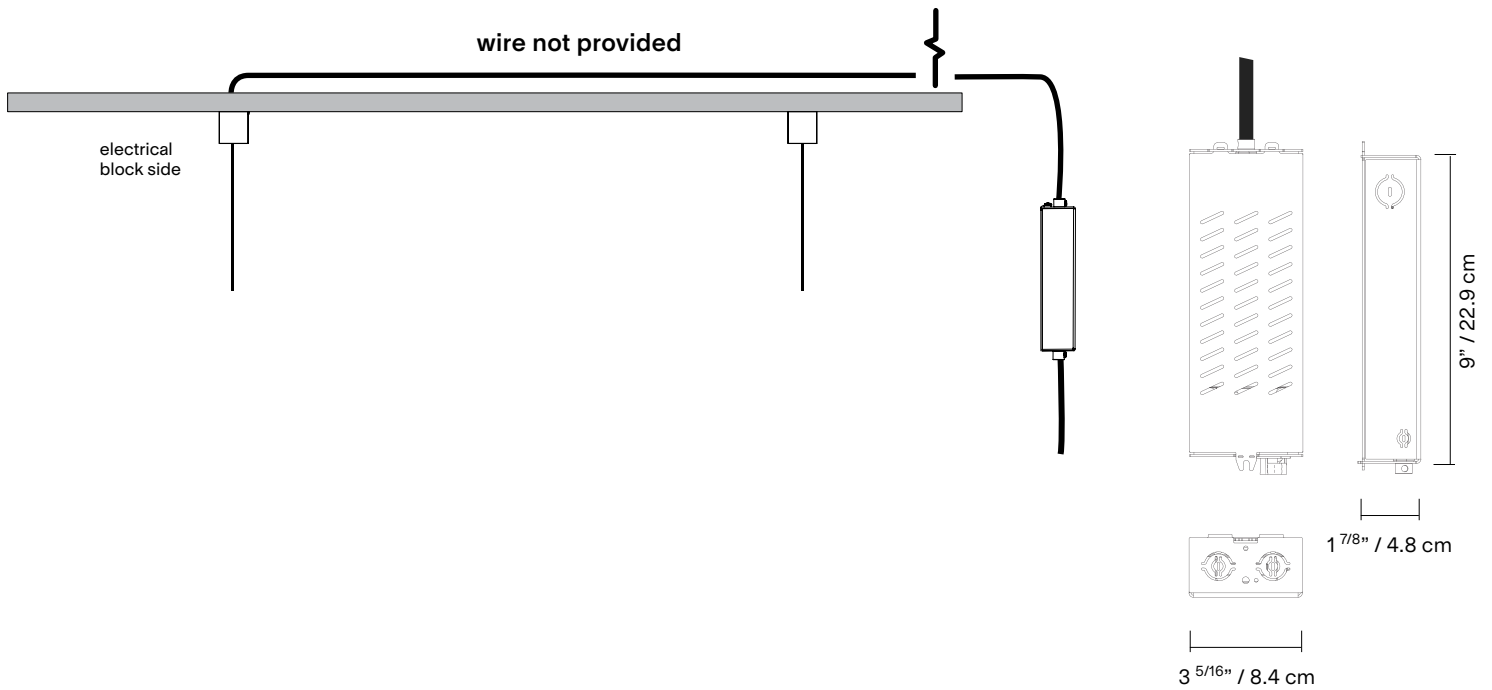
- The canopy can be offset from composition.
- Luminaire total height (ceiling to lowest point of luminaire).  
Min - 50" / 127 cm  
Max - 100" / 254 cm  
\*For any height outside these parameters, contact Lambert & Fils.
- Luminaire height is adjustable on site.
- Luminaire cannot be installed on a slanted ceiling.
- Ceiling anchors can be used as junction boxes for daisy chain. If needed, please inform your representative.
- Dimensions are approximate and may vary slightly.



## SM- Surface mounted



## RM-Remote driver



\*housing not necessary for Phase Dimming 220-240VAC (only driver provided)

## REMOTE DRIVER HOUSING

Must be accessible for maintenance in a well aerated location for heat dissipation

Use the following chart to determine proper wiring gauge according to the distance to its location.

### GAUGE

18AWG (0.75mm<sup>2</sup>)  
 16AWG (1.5mm<sup>2</sup>)  
 14AWG (2.5mm<sup>2</sup>)  
 12AWG (4mm<sup>2</sup>)

### MAX ALLOWABLE DISTANCE

85 ft. / (26 m)  
 136 ft. / (41 m)  
 216 ft. / (66 m)  
 343 ft. / (105 m)

## MATERIAL

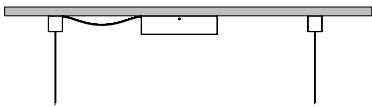


## CORD



## MOUNTING

**SM**  
Surface mounted



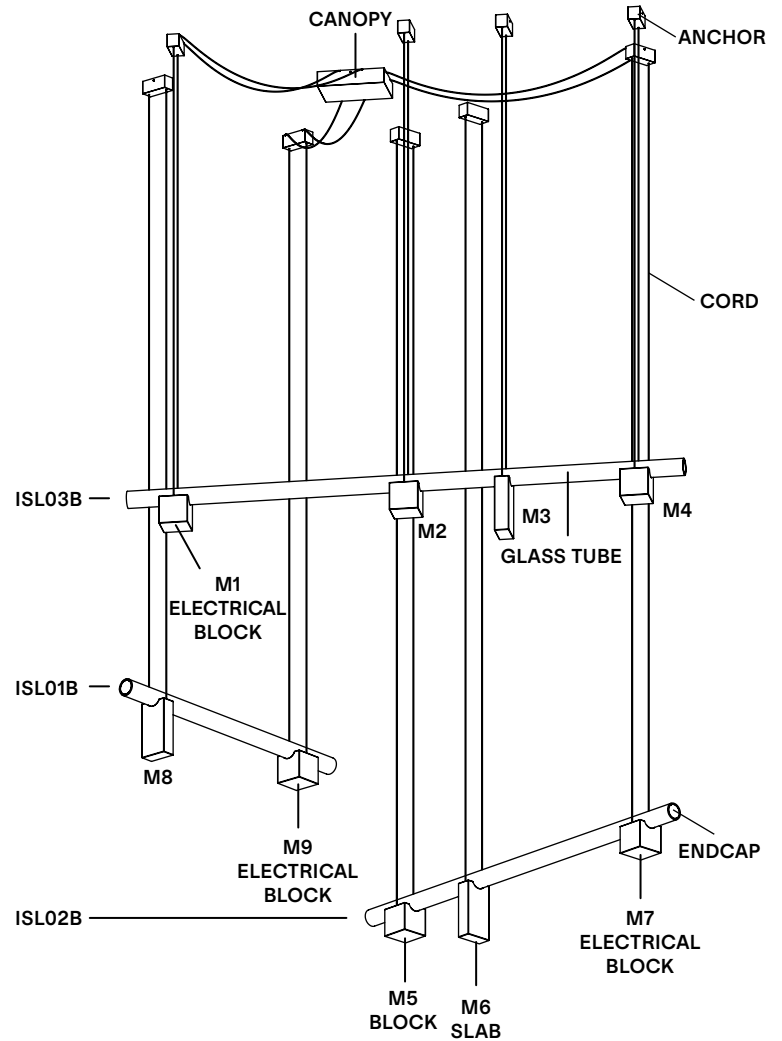
**RM**  
Remote Driver



## NOTES

- Must be installed by an electrician
- LED may only be changed by Lambert & Fils or other authorized personnel
- Not protected against liquids (refer to IP20)
- Additional charges for modifications or for special orders
- Please refer to maintenance sheet on our website for cleaning instructions

## LAMP ANATOMY



		Example	Fill with your selection
<b>COLLECTION</b>	<b>ISL</b> Isle	<b>ISL</b>	<b>ISL</b>
<b>MODEL</b>	<b>14</b>	<b>14</b>	<b>14</b>
<b>MATERIAL</b>	<p><b>P1</b> ISL03B - Black Marquina (M1) + Polished Aluminum (M2) + Black Marquina (M3) + Polished Aluminum (M4) ISL02B - Polished Aluminum (M5) + Black Marquina (M6) + Polished Aluminum (M7) ISL01B - Polished Aluminum (M8) + Black Marquina (M9)</p> <p><b>P2</b> ISL03B - Black Marquina (M1) + Polished Aluminum (M2) + Pink Portugal (M3) + Guatemala Green (M4) ISL02B - Polished Aluminum (M5) + Guatemala Green (M6) + Black Marquina (M7) ISL01B - Polished Aluminum (M8) + Pink Portugal (M9)</p> <p><b>P3</b> ISL03B - Pink Portugal (M1) + Polished Aluminum (M2) + Red Levanto (M3) + Red Negrais (M4) ISL02B - Polished Aluminum (M5) + Pink Portugal (M6) + Red Levanto (M7) ISL01B - Polished Aluminum (M8) + Red Negrais (M9)</p> <p><b>AL</b> All models Polished Aluminum ISL03B - Polished Aluminum (M1,M2,M3,M4) ISL02B - Polished Aluminum (M5,M6,M7) ISL01B - Polished Aluminum (M8,M9)</p>	<b>P1</b>	
<b>CORD</b>	<b>BK</b> Black	<b>BK</b>	<b>BK</b>
<b>CANOPY AND ANCHORS</b>	<b>AL</b> Polished aluminum	<b>AL</b>	<b>AL</b>
<b>MOUNTING</b>	<p><b>SM</b> Surface mounted</p> <p><b>RM</b> Remote driver</p>	<b>SM</b>	
<b>COLOUR TEMPERATURE (CCT)</b>	<p><b>WL</b> Warm light (2700K)</p> <p><b>NL</b> Neutral light (3000K)</p> <p><b>D27</b> Dim to warm (2700K-2200K)</p> <p><b>D30</b> Dim to warm (3000K-2200K)</p> <p><b>CCT</b> Other CCT available upon request*</p>	<b>WL</b>	
<b>DIMMING</b>	<p><b>ZT</b> 0-10V (120VAC only)</p> <p><b>PH</b> Phase dimming</p> <p><b>DA</b> DALI (220-240VAC only)</p>	<b>ZT</b>	
<b>FULL SKU</b>		<b>ISL14P1BKALSMWLZT</b>	
		<b>NOTES</b>	

\*Specific CCT selection only available in 100k increments, from 2200K to 4000K inclusively and not available with Dim-to-Warm feature.

## TESTED DIMMER COMPATIBILITY LIST - 120V

Compatible with ELV dimming (Trailing Edge / Reverse Phase).

We strongly recommend using dimmers that require a Neutral wire connection.

DIMMER BRAND	MODEL	MAX LEVEL	MIN LEVEL	DIMMING PROTOCOL
Lutron	DVELV-300P	95%	5%	Phase Cut
Lutron	DVELV-303P	95%	5%	Phase Cut
Lutron	CTELV-303P	93%	4%	Phase Cut
Lutron	SELV-300P	97%	3%	Phase Cut
Lutron	SELV-303P	97%	3%	Phase Cut
Lutron	MA-PRO / companion (MA-R-WH)	99%	2%	Phase Cut
Lutron	PD-5NE	100%	5%	Phase Cut
Lutron	PD-6WCL	100%	5%	Phase Cut
Lutron	DVRP-253P	94%	3%	Phase Cut
Lutron	CTRP-253P	90%	2%	Phase Cut
Lutron	NTELV-300	94%	2%	Phase Cut

---

Some dimmers require a minimum load, check specifications.

---

We recommend conducting your own test before final installation.

---