

# Isle 11








## ISLE 11 - COLOUR PALETTE 1

ISL02B: Polished aluminum + Polished Aluminum + Black Marquina

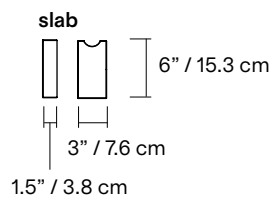
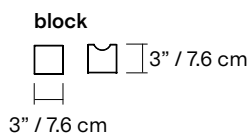
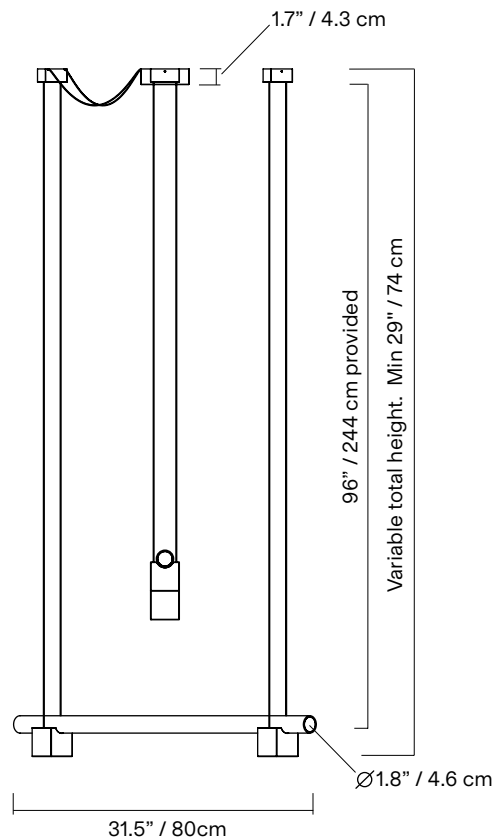
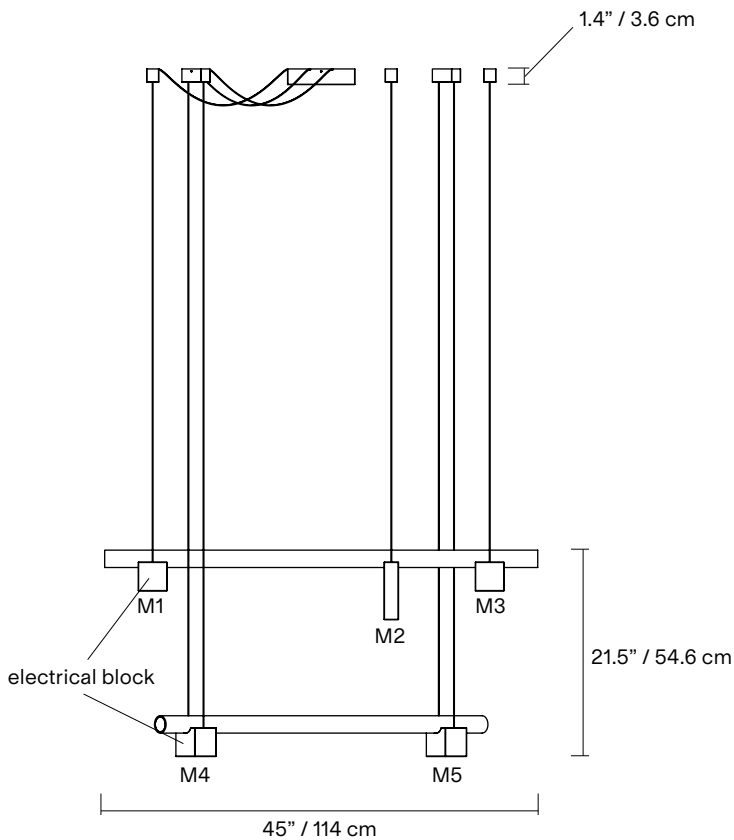
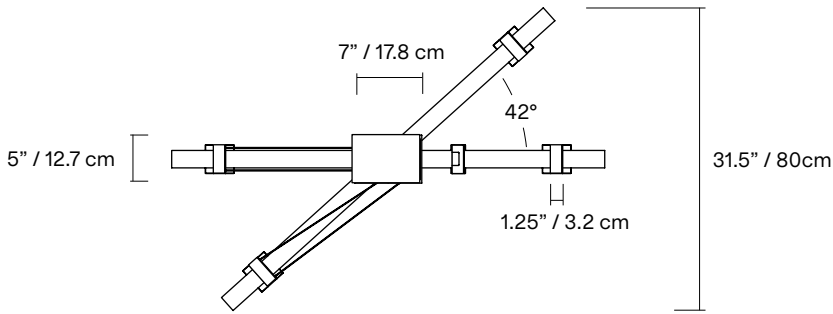
ISL02A: Black Marquina + Polished Aluminum

An ode to quiet strength, Isle is a play both on illusion and perception allowing lightness to anchor and foundations to rise. Composed of a delicate glass tube resting on solid-stone and aluminum pedestals and suspended in mid-air like a surreal bridge, Isle is minimal, but never simplistic.

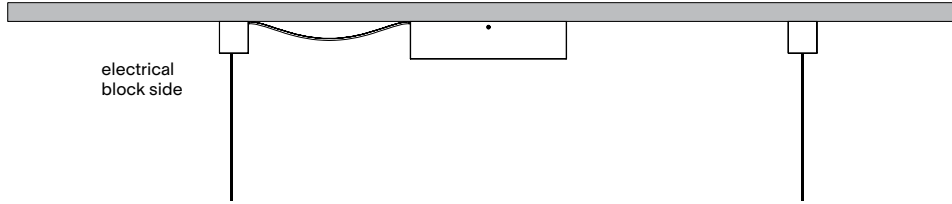
<b>TYPE</b>	Suspension
<b>CONSTRUCTION</b>	Frosted glass tube Polished aluminum or marble block Polished aluminum endcap, canopy and anchors Polyester cord
<b>SPECIFICATIONS</b>	Power consumption: 52W  Colour temperature: 3000K 2700K dim to warm 3000K to 2200K dim to warm 2700K to 2200K  Lumen output: 2700K - 2815 lm  Colour rendering index: ≥90 CRI Colour consistency: 3 SDCM Expected lifetime: ≥50 000h
<b>CONTROL</b>	120/277V on/off, 0-10V, or phase dimming 220-240V: On/Off, Phase Dimming, DALI Refer to our recommended list of dimmer models on page 6
<b>CORD LENGTH</b>	Mains/line cords- 120" / 304 cm Non-electrical cords- 96" / 244 cm
<b>WEIGHT</b>	ISL02A- 13.5lb / 6.1Kg ISL02B- 16.5lb / 7.5Kg
<b>CERTIFICATIONS</b>	     IP20
<b>WARRANTY</b>	2 years

## NOTES

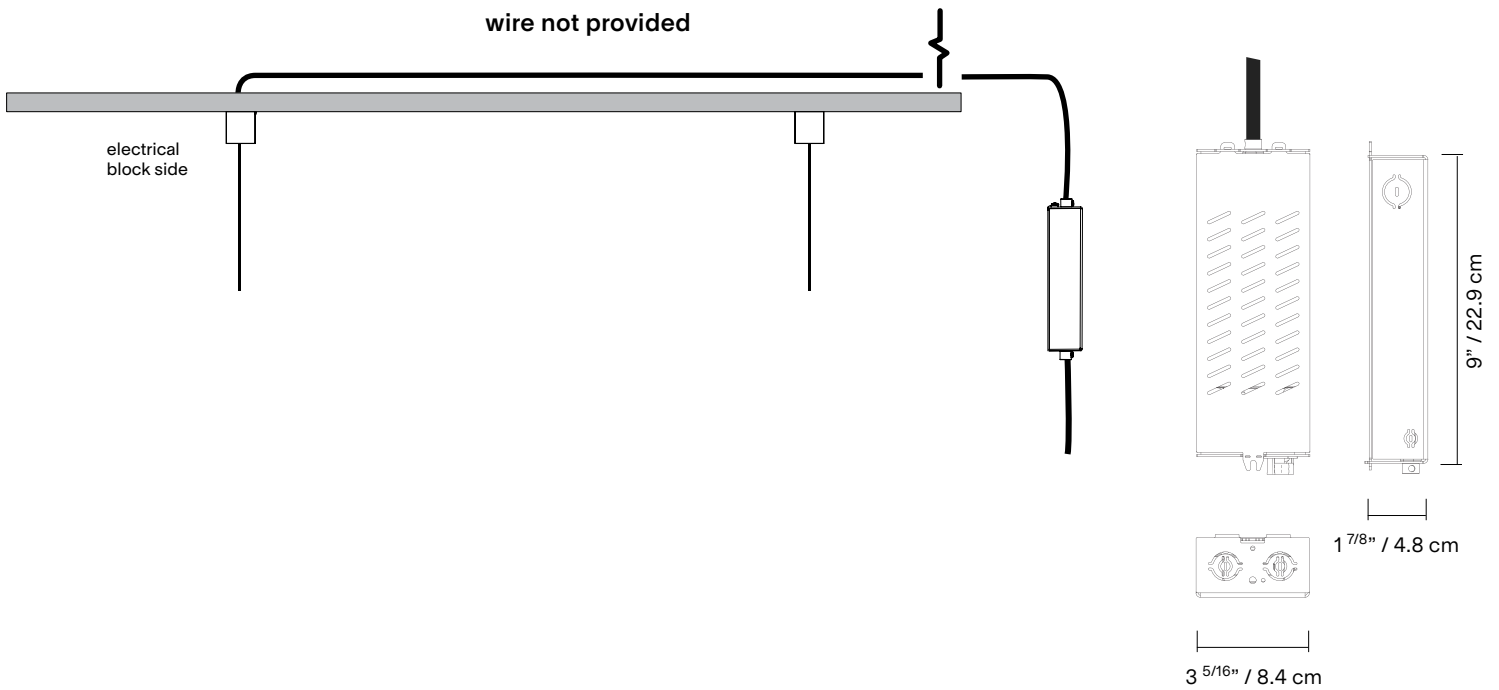
- The canopy can be offset from composition.
- Luminaire total height (ceiling to lowest point of luminaire).  
Min - 29"/74 cm  
Max - 119"/302 cm  
\*For any height outside these parameters, contact Lambert & Fils.
- Luminaire height is adjustable on site.
- Luminaire cannot be installed on a slanted ceiling.
- Ceiling anchors can be used as junction boxes for daisy chain. If needed, please inform your representative.
- Dimensions are approximate and may vary slightly.



## SM- Surface mounted



## RM-Remote driver



\*housing not necessary for Phase Dimming 220-240VAC (only driver provided)

### REMOTE DRIVER HOUSING

Must be accessible for maintenance in a well aerated location for heat dissipation

Use the following chart to determine proper wiring gauge according to the distance to its location.

#### GAUGE

18AWG (0.75mm<sup>2</sup>)  
 16AWG (1.5mm<sup>2</sup>)  
 14AWG (2.5mm<sup>2</sup>)  
 12AWG (4mm<sup>2</sup>)

#### MAX ALLOWABLE DISTANCE

85 ft. / (26 m)  
 136 ft. / (41 m)  
 216 ft. / (66 m)  
 343 ft. / (105 m)

## MATERIAL



**AL**  
Polished  
aluminum



**BM**  
Black  
marquina  
marble



**GU**  
Guatemala  
green  
marble



**PI**  
Pink  
portugal  
marble



**RL**  
Red  
levanto  
marble



**RN**  
Red  
negrais  
marble

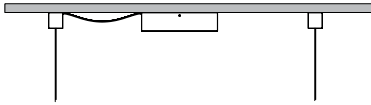
## CORD



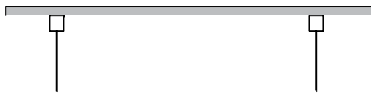
**BK**  
Black

## MOUNTING

**SM**  
Surface mounted



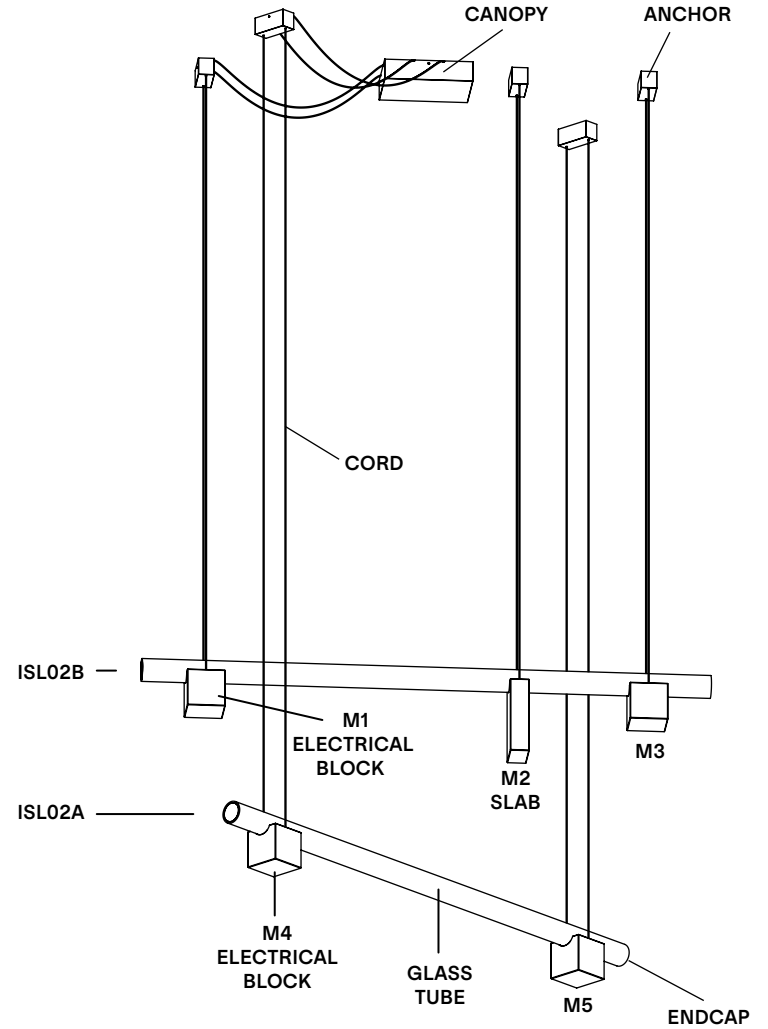
**RM**  
Remote Driver



## NOTES

- Must be installed by an electrician
- LED may only be changed by Lambert & Fils or other authorized personnel
- Not protected against liquids (refer to IP20)
- Additional charges for modifications or for special orders
- Please refer to maintenance sheet on our website for cleaning instructions

## LAMP ANATOMY



		Example	Fill with your selection
<b>COLLECTION</b>	<b>ISL</b> Isle	<b>ISL</b>	<b>ISL</b>
<b>MODEL</b>	<b>11</b>	<b>11</b>	<b>11</b>
<b>MATERIAL</b>	<b>P1</b> ISL02B - Black Marquina (M1) + Polished Aluminum (M2+M3) ISL02A - Polished Aluminum (M4) + Black Marquina (M5) <b>P2</b> ISL02B - Guatemala Green (M1) + Black Marquina (M2) + Polished Aluminum (M3) ISL02A - Polished Aluminum (M4) + Guatemala Green (M5) <b>P3</b> ISL02B - Red Negrais (M1) + Pink Portugal (M2) + Polished Aluminum (M3) ISL02A - Polished Aluminum (M4) + Red Negrais (M5) <b>P4</b> ISL02B - Pink Portugal (M1) + Red Levanto (M2) + Polished Aluminum (M3) ISL02A - Polished Aluminum (M4) + Red Levanto (M5)	<b>P1</b>	
<b>CORD</b>	<b>BK</b> Black	<b>BK</b>	<b>BK</b>
<b>CANOPY AND ANCHORS</b>	<b>AL</b> Polished aluminum	<b>AL</b>	<b>AL</b>
<b>MOUNTING</b>	<b>SM</b> Surface mounted <b>RM</b> Remote driver	<b>SM</b>	
<b>COLOUR TEMPERATURE (CCT)</b>	<b>F22</b> Fixed 2200K <b>F27</b> Fixed 2700K <b>F30</b> Fixed 3000K <b>D27</b> Dim to warm 2700K-2200K <b>D30</b> Dim to warm 3000K-2200K <b>CCT</b> Other CCT available upon request*	<b>F22</b>	
<b>DIMMING</b>	<b>ZT</b> 0-10V (120VAC only) <b>PH</b> Phase dimming <b>DA</b> DALI (220-240VAC only)	<b>ZT</b>	
<b>FULL SKU</b>		<b>ISL11P1BKSLSMF22ZT</b>	

**NOTES**

\*Specific CCT selection only available in 100k increments, from 2200K to 4000K inclusively and not available with Dim-to-Warm feature.

## TESTED DIMMER COMPATIBILITY LIST - 120V

Compatible with ELV dimming (Trailing Edge / Reverse Phase).

We strongly recommend using dimmers that require a Neutral wire connection.

DIMMER BRAND	MODEL	MAX LEVEL	MIN LEVEL	DIMMING PROTOCOL
Lutron	DVELV-300P	95%	5%	Phase Cut
Lutron	DVELV-303P	95%	5%	Phase Cut
Lutron	CTELV-303P	93%	4%	Phase Cut
Lutron	SELV-300P	97%	3%	Phase Cut
Lutron	SELV-303P	97%	3%	Phase Cut
Lutron	MA-PRO / companion (MA-R-WH)	99%	2%	Phase Cut
Lutron	PD-5NE	100%	5%	Phase Cut
Lutron	PD-6WCL	100%	5%	Phase Cut
Lutron	DVRP-253P	94%	3%	Phase Cut
Lutron	CTRP-253P	90%	2%	Phase Cut
Lutron	NTELV-300	94%	2%	Phase Cut

---

Some dimmers require a minimum load, check specifications.

---

We recommend conducting your own test before final installation.

---