

# Isle 10



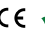




## ISLE 10 - COLOUR PALETTE 1

ISL03A: Black Marquina + Polished Aluminum + Black Marquina

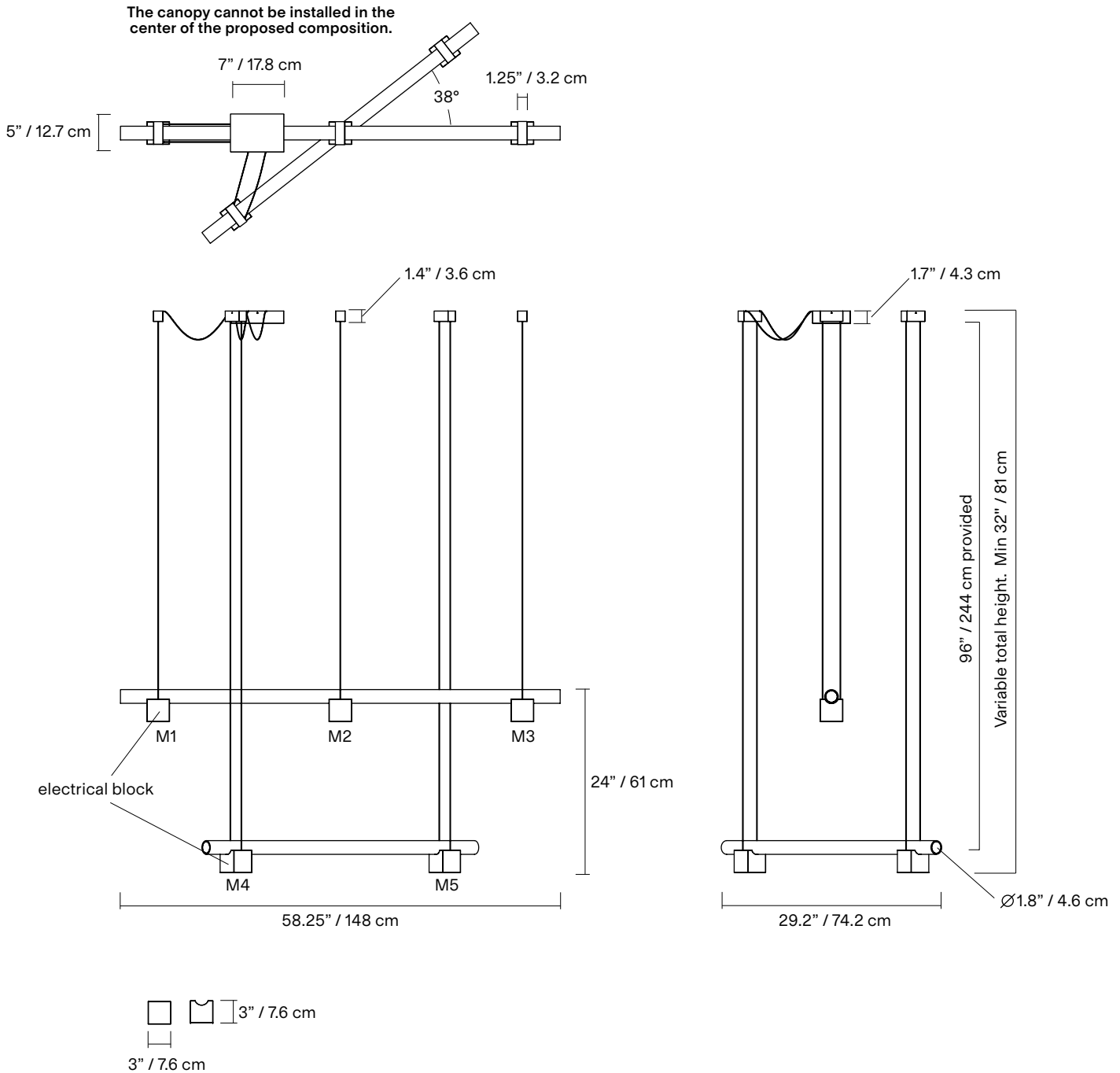
ISL02A: Polished Aluminum + Black Marquina

An ode to quiet strength, Isle is a play both on illusion and perception allowing lightness to anchor and foundations to rise. Composed of a delicate glass tube resting on solid-stone and aluminum pedestals and suspended in mid-air like a surreal bridge, Isle is minimal, but never simplistic.

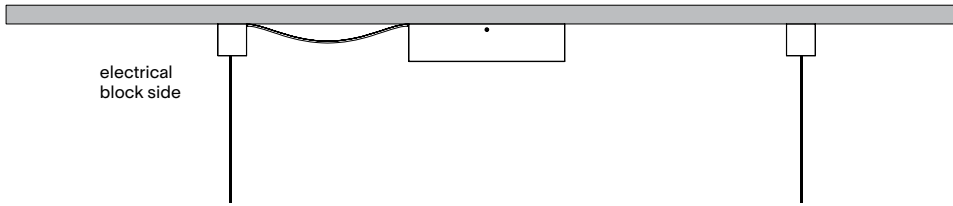
|                       |  |
|-----------------------|--|
| <b>TYPE</b>           | Suspension   |
| <b>CONSTRUCTION</b>   | Frosted glass tube<br>Polished aluminum or marble block and slab<br>Polished aluminum endcap, canopy and anchors<br>Polyester cord   |
| <b>SPECIFICATIONS</b> | Power consumption: 52W<br><br>Colour temperature:<br>3000K<br>2700K<br>dim to warm 3000K to 2200K<br>dim to warm 2700K to 2200<br><br>Lumen output: 2700K - 2815 lm<br><br>Colour rendering index: ≥90 CRI<br>Colour consistency: 3 SDCM<br>Expected lifetime: ≥50 000h  |
| <b>CONTROL</b>        | 120/277V on/off, 0-10V, or phase dimming<br>220-240V: On/Off, Phase Dimming, DALI<br>Refer to our recommended list of dimmer models on page 6  |
| <b>CORD LENGTH</b>    | Mains/line cords- 120" / 304 cm<br>Non-electrical cords- 96" / 244 cm  |
| <b>WEIGHT</b>         | ISL02A- 13.5lb / 6.1Kg<br>ISL03A- 17.5lb / 7.9Kg   |
| <b>CERTIFICATIONS</b> |      IP20 |
| <b>WARRANTY</b>       | 2 years  |

## NOTES

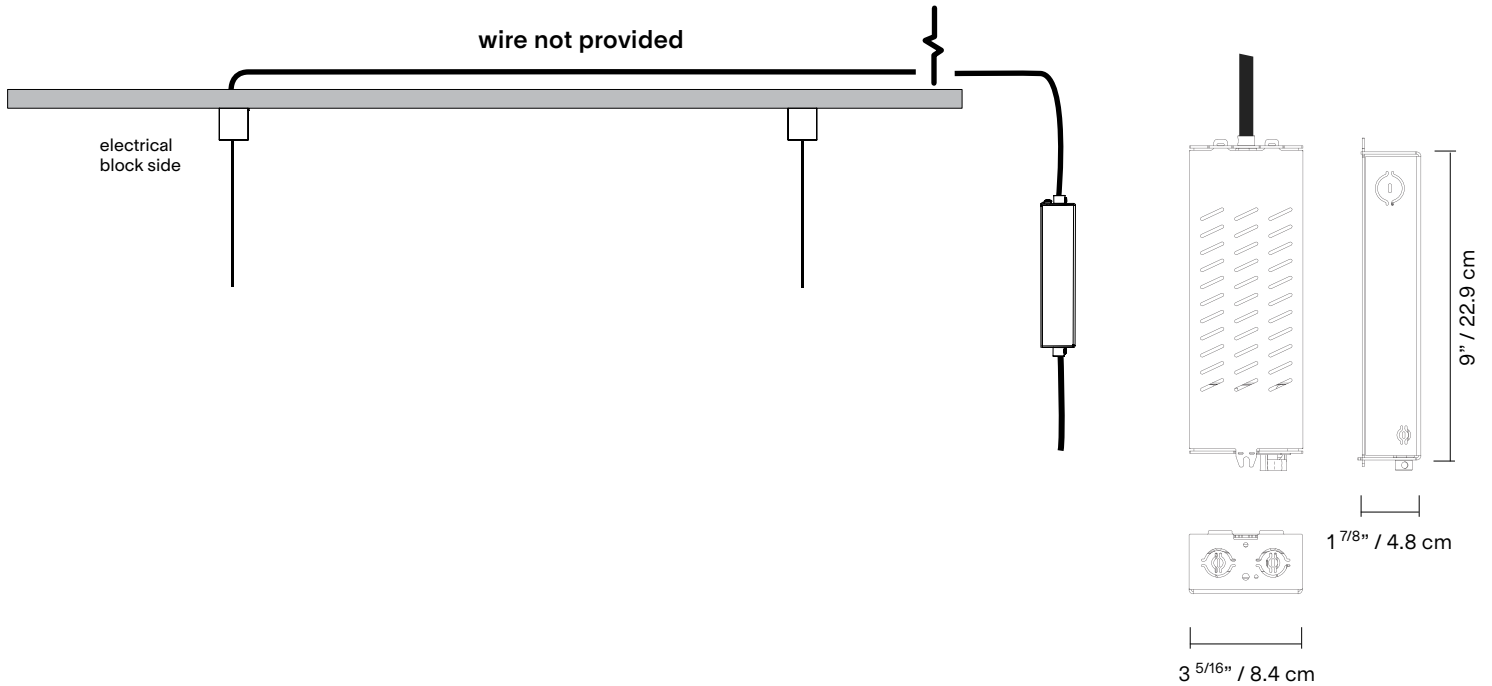
- The canopy can be offset from composition.
- Luminaire total height (ceiling to lowest point of luminaire). Luminaire height is adjustable on site.  
Min - 32"/81 cm  
Max - 102"/259 cm  
\*For any height outside these parameters, contact Lambert & Fils.
- Luminaire height is adjustable on site.
- Luminaire cannot be installed on a slanted ceiling.
- Ceiling anchors can be used as junction boxes for daisy chain. If needed, please inform your representative.
- Dimensions are approximate and may vary slightly.



## SM- Surface mounted



## RM-Remote driver



\*housing not necessary for Phase Dimming 220-240VAC (only driver provided)

## REMOTE DRIVER HOUSING

Must be accessible for maintenance in a well aerated location for heat dissipation

Use the following chart to determine proper wiring gauge according to the distance to its location.

### GAUGE

18AWG (0.75mm<sup>2</sup>)  
 16AWG (1.5mm<sup>2</sup>)  
 14AWG (2.5mm<sup>2</sup>)  
 12AWG (4mm<sup>2</sup>)

### MAX ALLOWABLE DISTANCE

85 ft. / (26 m)  
 136 ft. / (41 m)  
 216 ft. / (66 m)  
 343 ft. / (105 m)

## MATERIAL



**AL**  
Polished  
aluminum



**BM**  
Black  
Marquina  
marble



**GU**  
Guatemala  
green  
marble



**PI**  
Pink  
Portugal  
marble



**RL**  
Red  
Levanto  
marble



**RN**  
Red  
Negrais  
marble

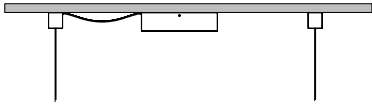
## CORD



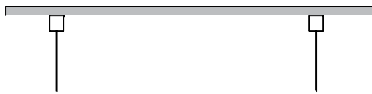
**BK**  
Black

## MOUNTING

**SM**  
Surface mounted



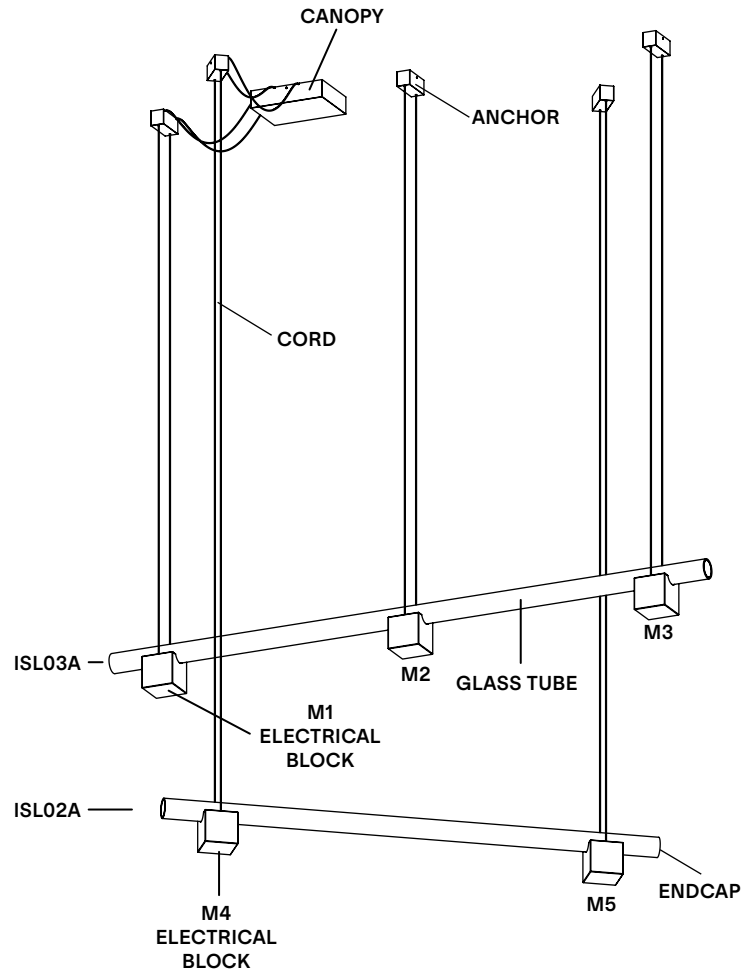
**RM**  
Remote Driver



## NOTES

- Must be installed by an electrician
- LED may only be changed by Lambert & Fils or other authorized personnel
- Not protected against liquids (refer to IP20)
- Additional charges for modifications or for special orders
- Please refer to maintenance sheet on our website for cleaning instructions

## LAMP ANATOMY



|                                 |  | Example                  | Fill with your selection |
|---------------------------------|--|--------------------------|--------------------------|
| <b>COLLECTION</b>               | <b>ISL</b><br>Isle   | <b>ISL</b>               | <b>ISL</b>               |
| <b>MODEL</b>                    | <b>10</b>  | <b>10</b>                | <b>10</b>                |
| <b>MATERIAL</b>                 | <p><b>P1</b> ISL03A - Black Marquina (M1) + Polished aluminum (M2) + Black Marquina (M3)<br/>ISL02A - Black Marquina (M4) + Polished aluminum (M5)</p> <p><b>P2</b> ISL03A - Red Levanto (M1), Polished Aluminum (M2), Guatemala Green (M3)<br/>Guatemala Green (M4), Polished Aluminum (M5)</p> <p><b>P3</b> ISL03A - Polished Aluminum (M1+M2), Red Negrais (M3) Pink Portugal (M4) + Polished Aluminum (M5)</p> <p><b>P4</b> ISL03A - Pink Portugal (M1) + Polished Aluminum (M2) + Red Levanto (M3)<br/>Red Levanto (M4) + Polished Aluminum (M5).</p> | <b>P1</b>                |                          |
| <b>CORD</b>                     | <b>BK</b> Black  | <b>BK</b>                | <b>BK</b>                |
| <b>CANOPY AND ANCHORS</b>       | <b>AL</b> Polished aluminum  | <b>AL</b>                | <b>AL</b>                |
| <b>MOUNTING</b>                 | <p><b>SM</b> Surface mounted</p> <p><b>RM</b> Remote driver</p>  | <b>SM</b>                |                          |
| <b>COLOUR TEMPERATURE (CCT)</b> | <p><b>WL</b> Warm light (2700K)</p> <p><b>NL</b> Neutral light (3000K)</p> <p><b>D27</b> Dim to warm (2700K-2200K)</p> <p><b>D30</b> Dim to warm (3000K-2200K)</p> <p><b>CCT</b> Other CCT available upon request*</p>   | <b>WL</b>                |                          |
| <b>DIMMING</b>                  | <p><b>ZT</b> 0-10V (120VAC only)</p> <p><b>PH</b> Phase dimming</p> <p><b>DA</b> DALI (220-240VAC only)</p>  | <b>ZT</b>                |                          |
| <b>FULL SKU</b>                 |  | <b>ISL10P1BKALSMWLZT</b> |                          |

**NOTES**

\*Specific CCT selection only available in 100k increments, from 2200K to 4000K inclusively and not available with Dim-to-Warm feature.

## TESTED DIMMER COMPATIBILITY LIST - 120V

Compatible with ELV dimming (Trailing Edge / Reverse Phase).

We strongly recommend using dimmers that require a Neutral wire connection.

| DIMMER BRAND | MODEL                        | MAX LEVEL | MIN LEVEL | DIMMING PROTOCOL |
|--------------|------------------------------|-----------|-----------|------------------|
| Lutron       | DVELV-300P                   | 95%       | 5%        | Phase Cut        |
| Lutron       | DVELV-303P                   | 95%       | 5%        | Phase Cut        |
| Lutron       | CTELV-303P                   | 93%       | 4%        | Phase Cut        |
| Lutron       | SELV-300P                    | 97%       | 3%        | Phase Cut        |
| Lutron       | SELV-303P                    | 97%       | 3%        | Phase Cut        |
| Lutron       | MA-PRO / companion (MA-R-WH) | 99%       | 2%        | Phase Cut        |
| Lutron       | PD-5NE                       | 100%      | 5%        | Phase Cut        |
| Lutron       | PD-6WCL                      | 100%      | 5%        | Phase Cut        |
| Lutron       | DVRP-253P                    | 94%       | 3%        | Phase Cut        |
| Lutron       | CTRP-253P                    | 90%       | 2%        | Phase Cut        |
| Lutron       | NTELV-300                    | 94%       | 2%        | Phase Cut        |

---

Some dimmers require a minimum load, check specifications.

---

We recommend conducting your own test before final installation.

---