



- 
- Please read entire manual before beginning installation
 - To be installed by an electrician
 - Use appropriate screws where necessary
 - Wear enclosed gloves when handling lamp
 - Handle materials with care. Please consult lamp maintenance sheet on our website

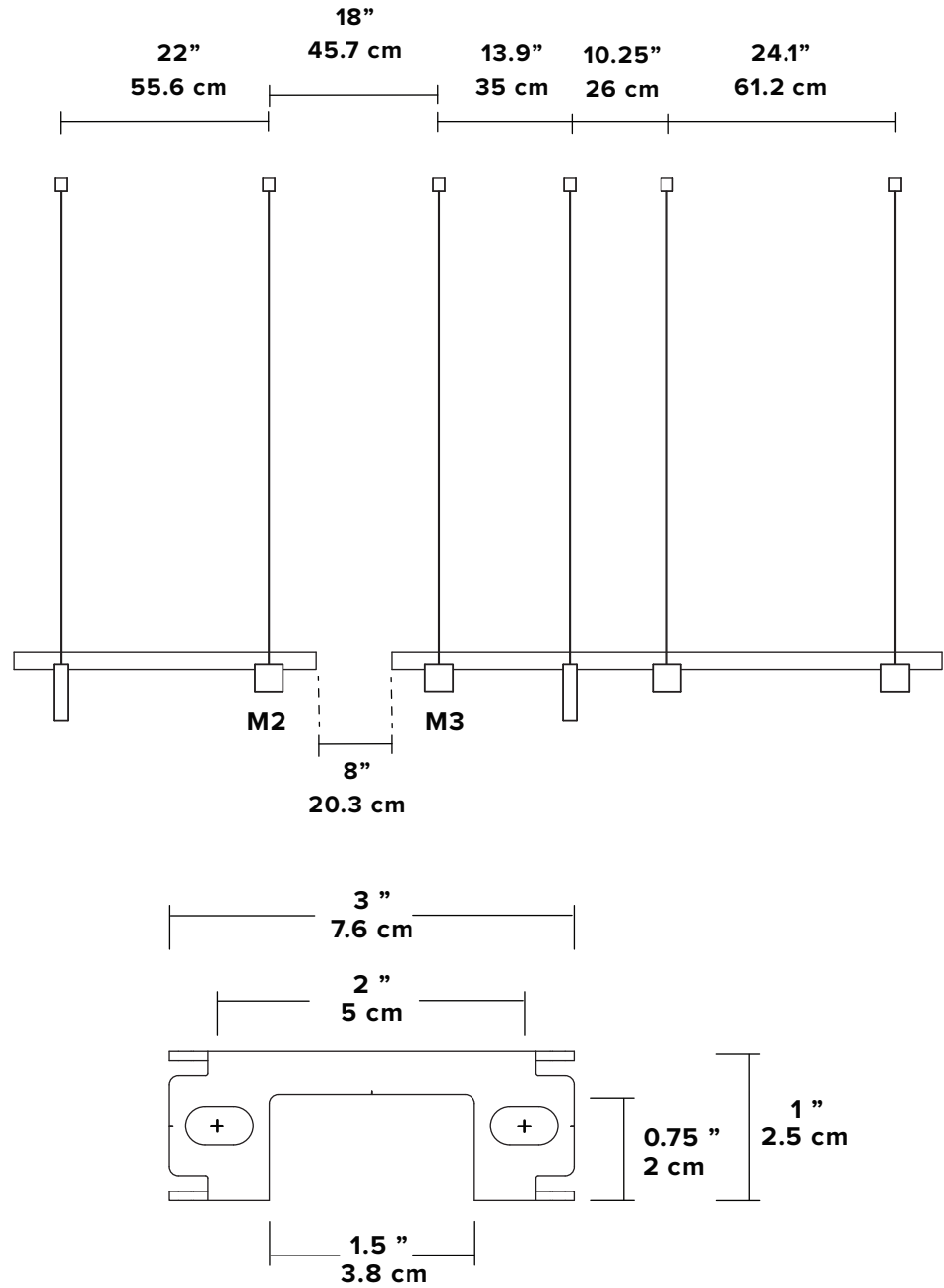
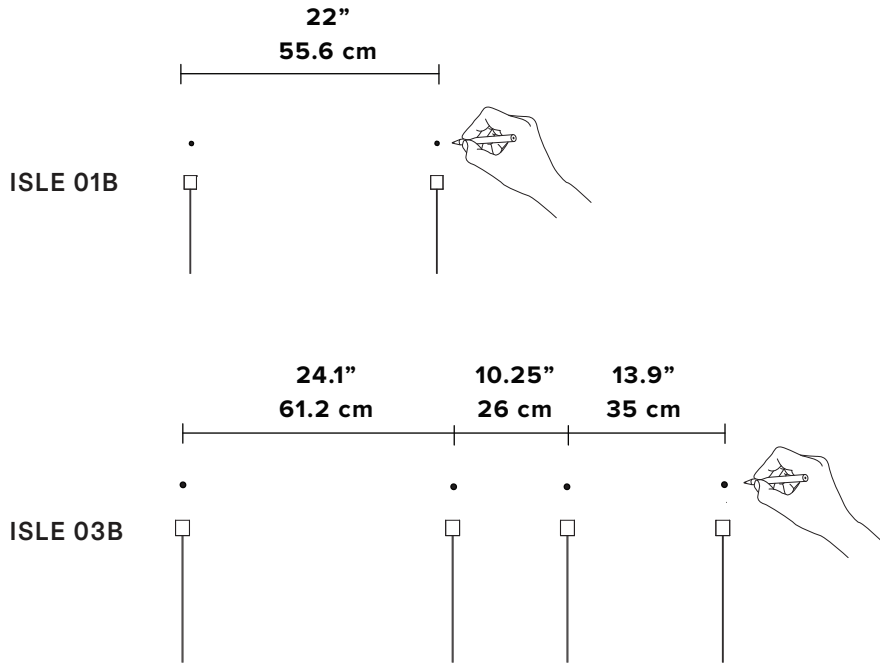


**NEVER TURN ON POWER SUPPLY
UNTIL CONNECTIONS AND
INSTALLATION ARE COMPLETED.
DOING OTHERWISE COULD BE
HARMFUL TO YOUR LUMINAIRE.**

1

Mark anchor points

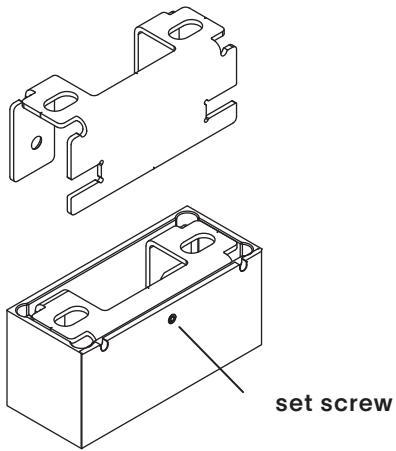
Make sure electrical wires will exit in M2 and M3 ceiling bracket.



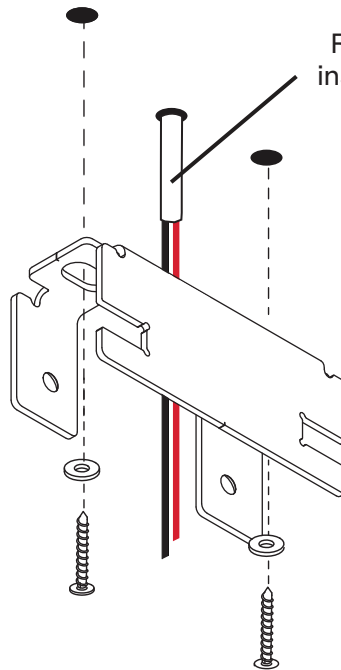
2

Install ceiling anchors
(use provided washers if needed).

Note that the orientation of the
bracket is important for the location
of the set screw on the anchor cover.



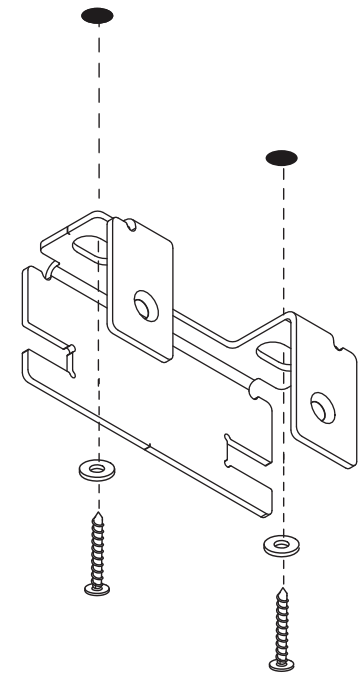
Electrical side
Closed side of the bracket
facing inwards.



Refer to pages 8, 9, 10 for
installation and connection
of remote canopy.

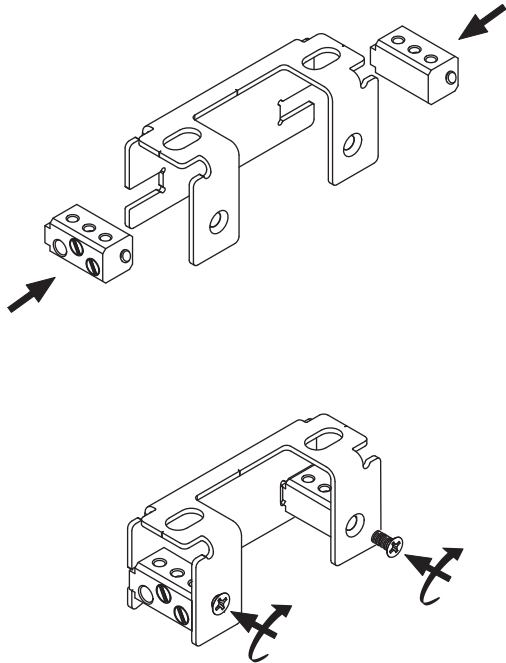


Non-electrical side
Closed side of the bracket
facing inwards.



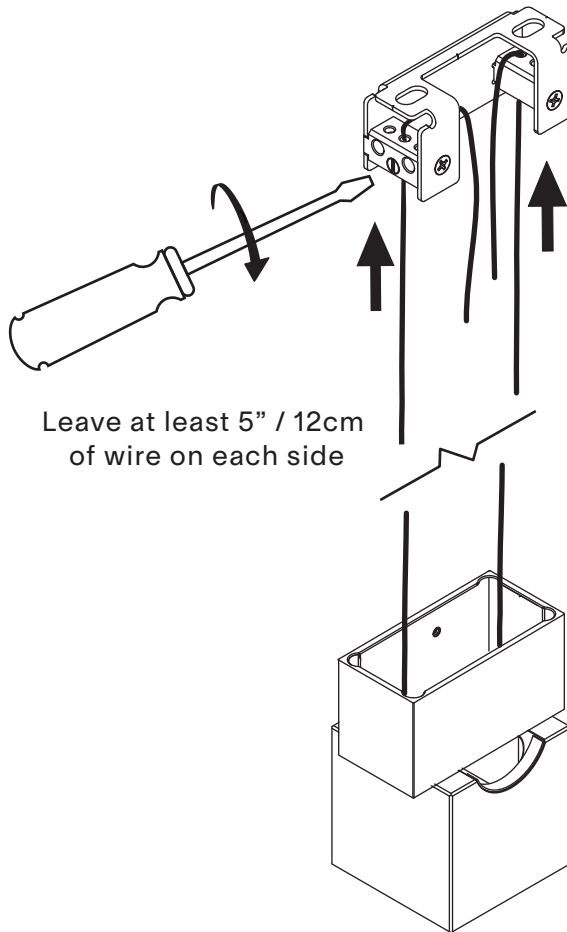
3

Install anchor strain relief.
Make sure nylon set screw is facing
the outside of the bracket.



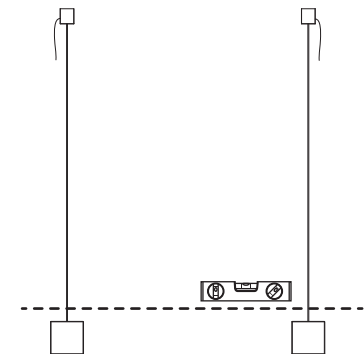
4

Install blocks.



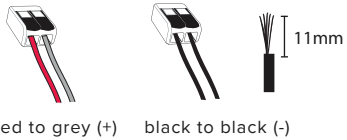
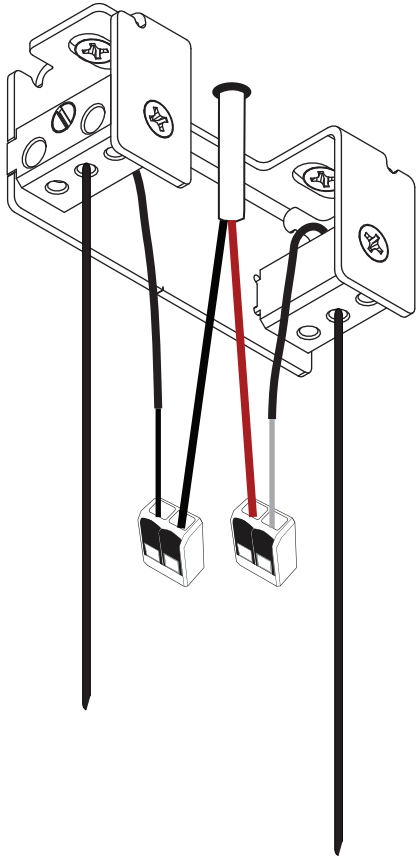
Keep anchor cover wrapped
until installation is complete.

When desired height
and level are achieved,
tighten the strain reliefs.



5

Make connections within electrical anchors: M2, M3



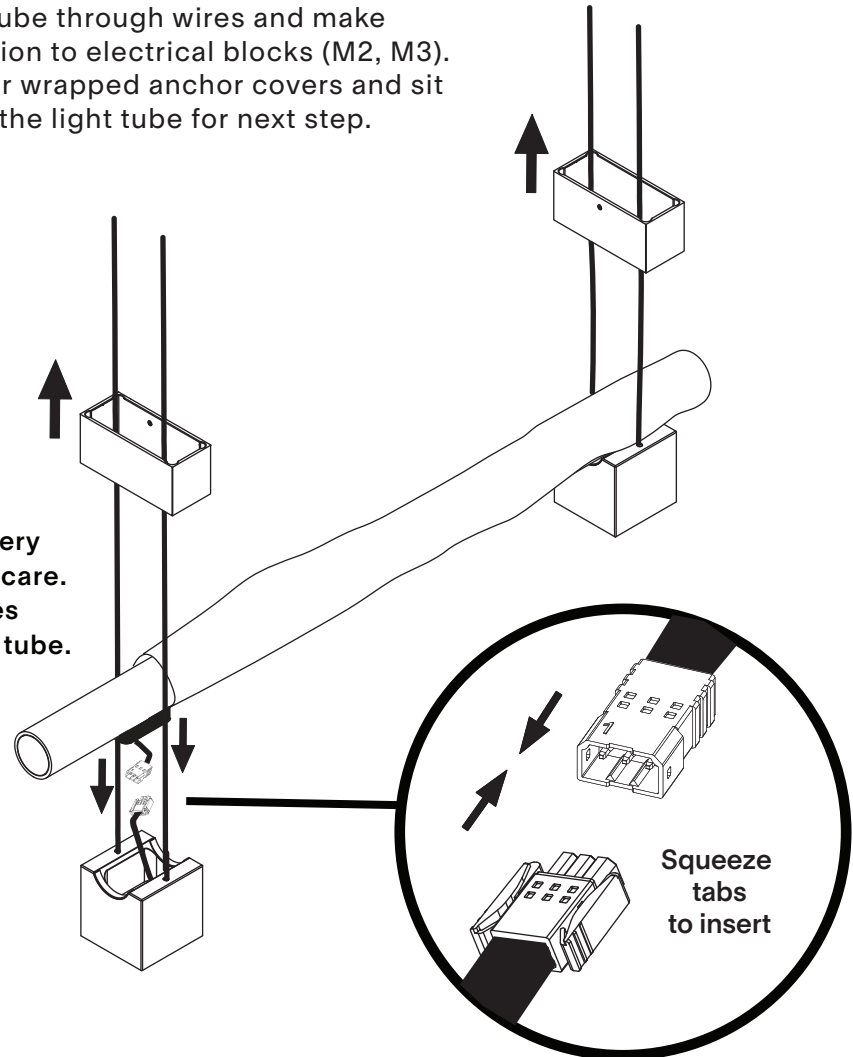
6

Keep light tube wrapped until installation is complete. Remove only the section covering the connectors. The tube sits on the blocks and is held in place with gravity.

Raise anchor covers, gently pass the light tube through wires and make connection to electrical blocks (M2, M3). Carefully lower wrapped anchor covers and sit them on the light tube for next step.

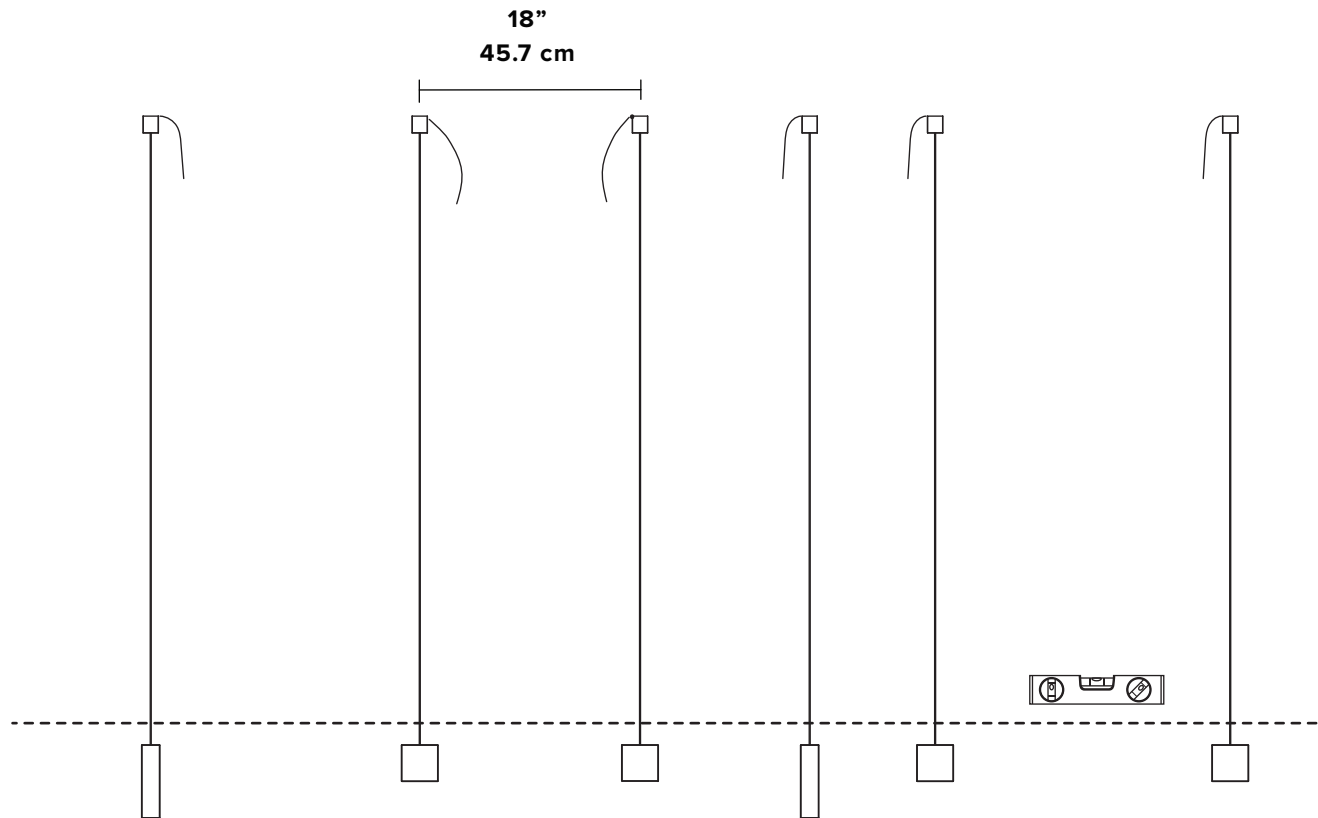


Light tube finish is very sensitive, handle with care. Make sure the wires don't touch or rub the tube.



7

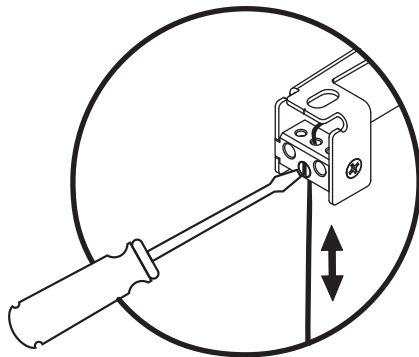
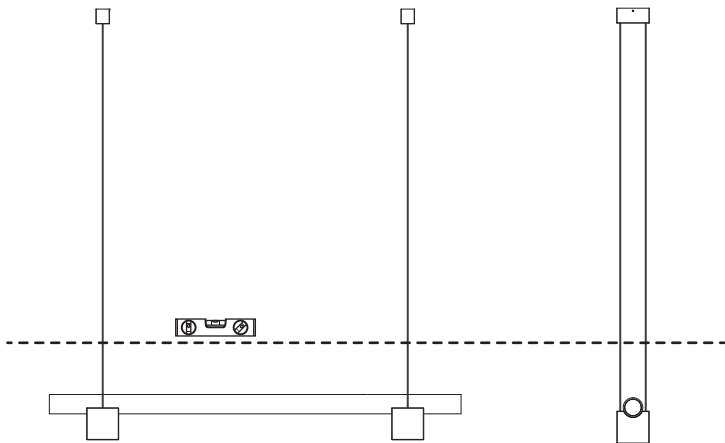
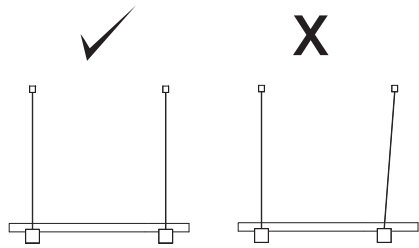
Adjust luminaires to proper height and level (suggested installation)



8

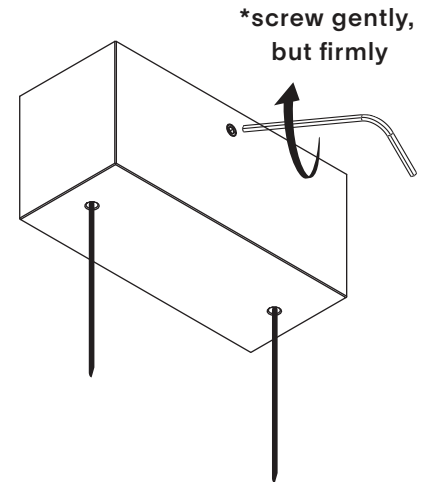
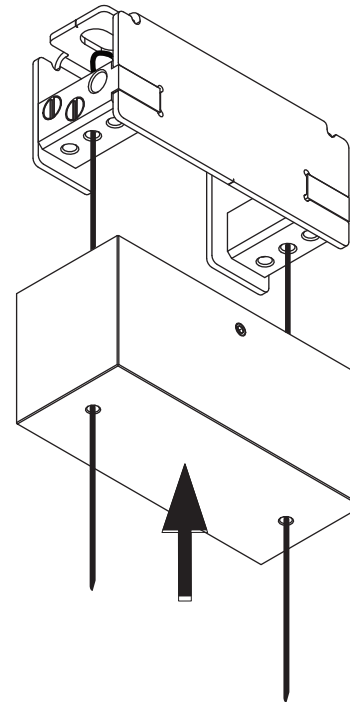
Ensure luminaires are balanced and level with the tubes in place.

Make adjustments in wire length in the ceiling anchors if necessary. Loosen strain relief, adjust, retighten.



9

Remove protective foam and install anchor covers. Feed extra wire into covers.



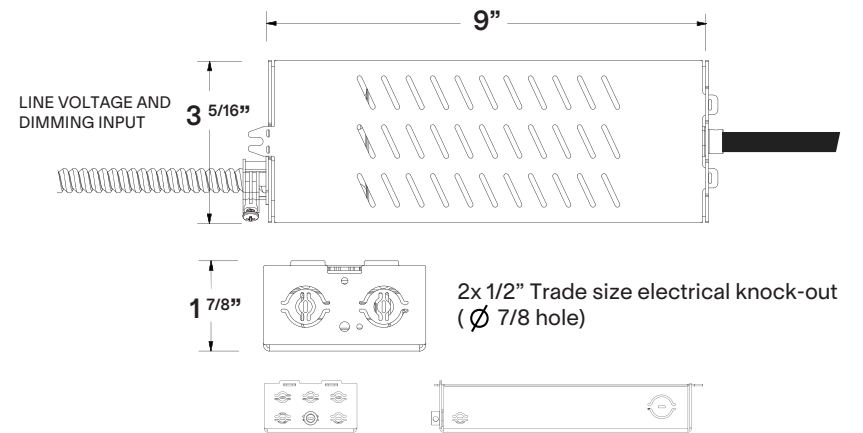
Be careful not to pinch wires.

REMOTE DRIVER HOUSING

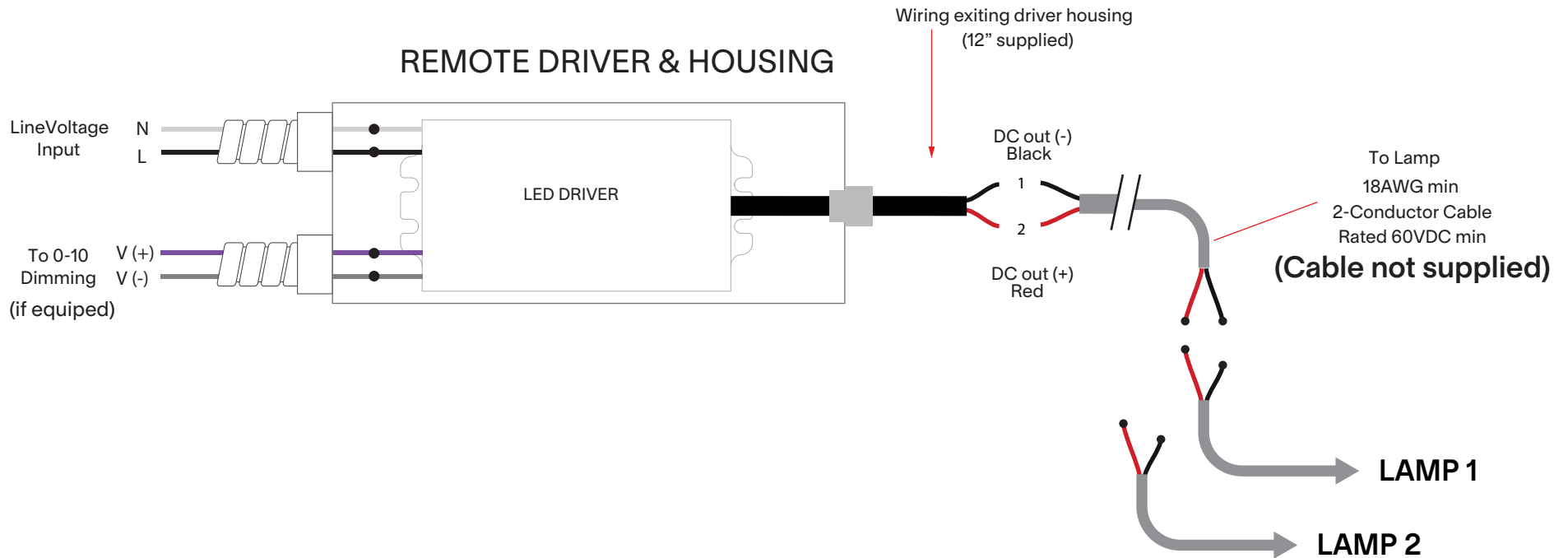
- Must be accessible for maintenance in a well aerated location for heat dissipation

Remote Wire Gauge and Length Allowance Maximum distance between suspended structure internal wiring and remote driver housing

Wire Gauge	Max Distance
18AWG	85 ft. / (26 m)
16AWG	136 ft. / (41 m)
14AWG	216 ft. / (66 m)
12AWG	343 ft. / (105 m)

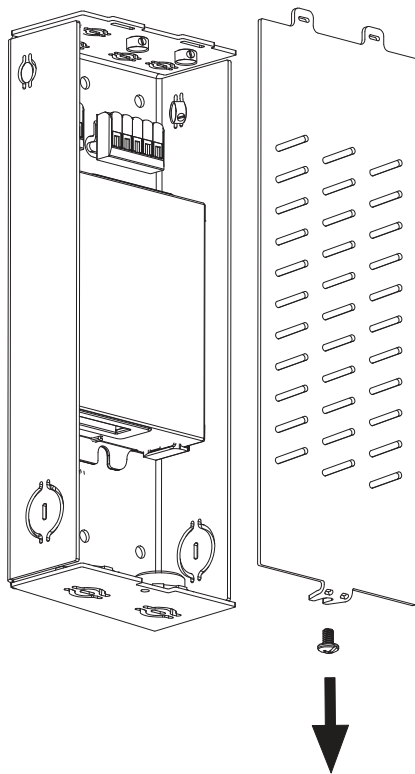


REMOTE DRIVER & HOUSING



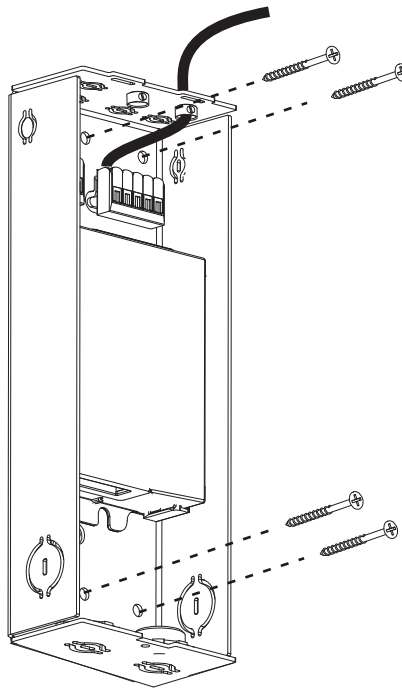
10

Remove screw holding driver housing cover plate



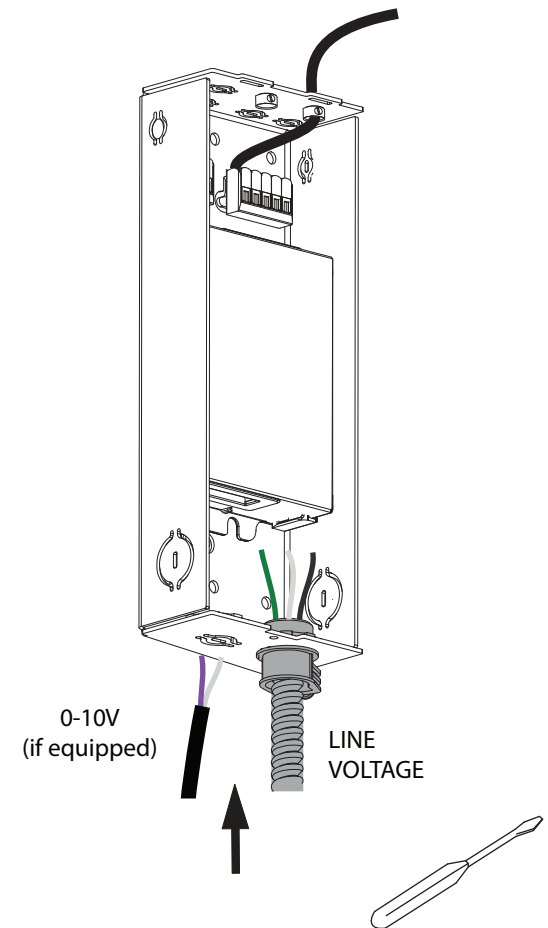
11

Mount driver housing to the wall. Screws not provided



12

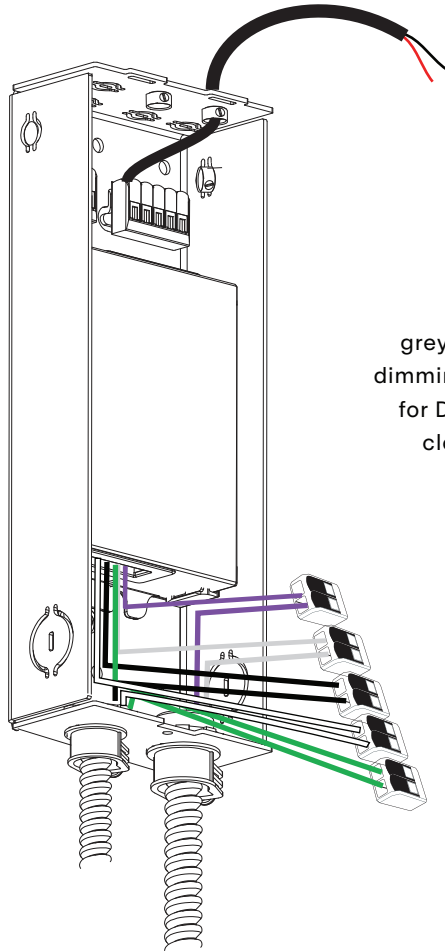
Insert Line Voltage cable and 0-10V wiring (if equipped)



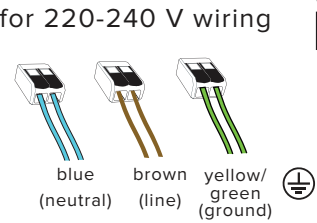
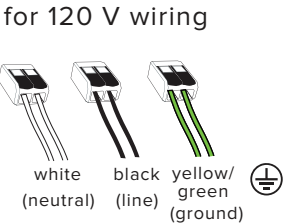
Use a screwdriver to knock out tab, then secure cables (not provided)

13

Make Line Voltage and dimming connections to driver wiring

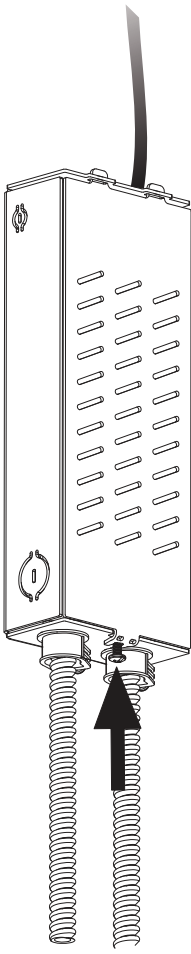


If applicable, use grey and purple wires for 0-10V dimming circuit or the orange wires for DALI dimming circuit before closing the driver enclosure.



14

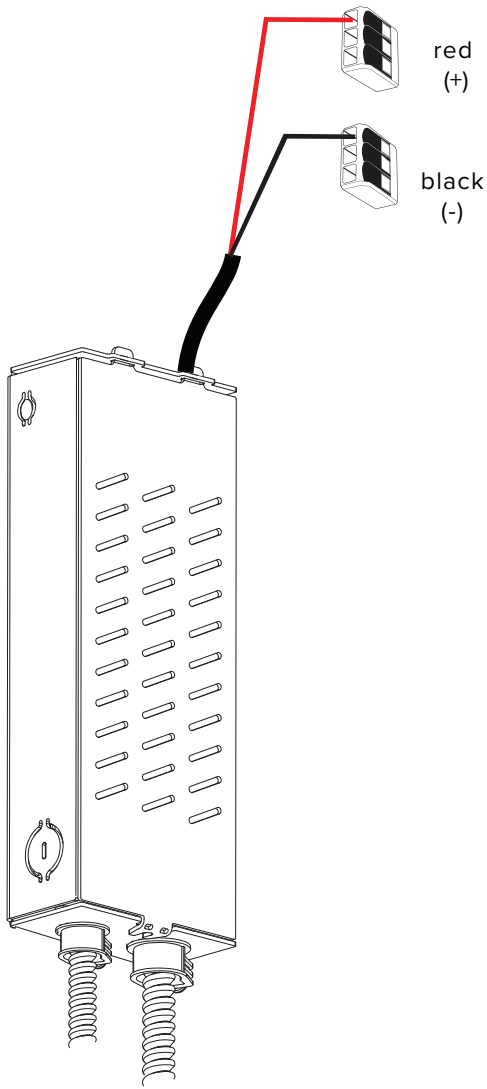
Close driver housing cover plate



Ensure no wires are clipped or pinched during these operations

15

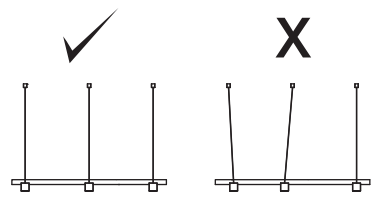
Make Low Voltage connections to Driver Housing wiring



12

Ensure luminaire is balanced and level with the tube in place.

Make adjustments in wire length in the ceiling anchors if necessary. Loosen strain relief, adjust, retighten.



Make sure all the cubes and slabs align with the anchors. They may have shifted with assembly and lead to

