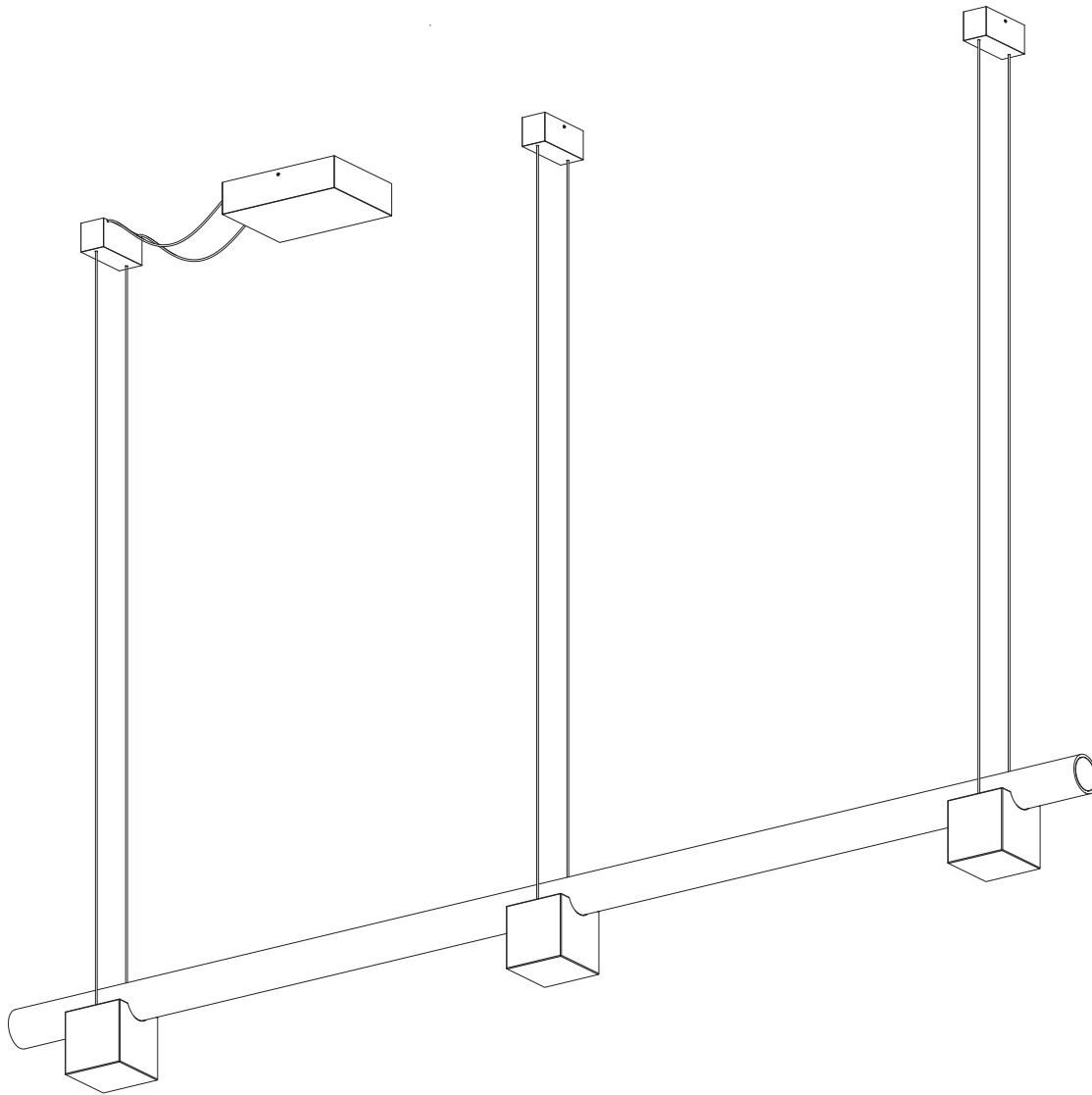


## ISLE 03A



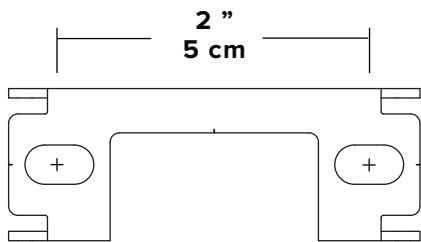
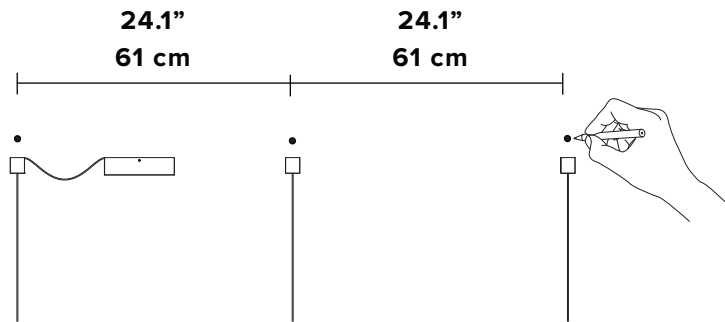
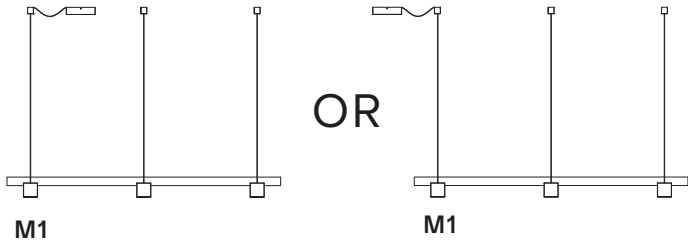
- Please read entire manual before beginning installation
- To be installed by an electrician to an electrical box
- Use appropriate screws where necessary
- Wear enclosed gloves when handling lamp
- Handle materials with care. Please consult lamp maintenance sheet on our website



**NEVER TURN ON POWER SUPPLY  
UNTIL CONNECTIONS AND  
INSTALLATION ARE COMPLETED.  
DOING OTHERWISE COULD BE  
HARMFUL TO YOUR LUMINAIRE.**

1

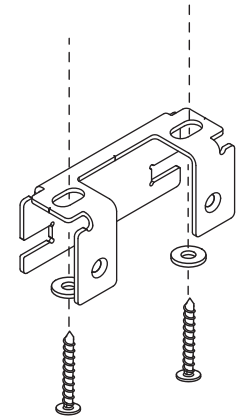
Mark anchor points and choose canopy placement.



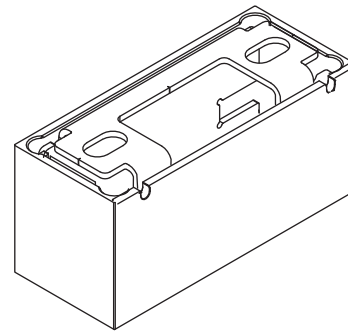
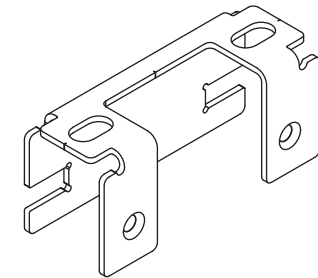
2

Install ceiling anchors (use provided washers if needed).

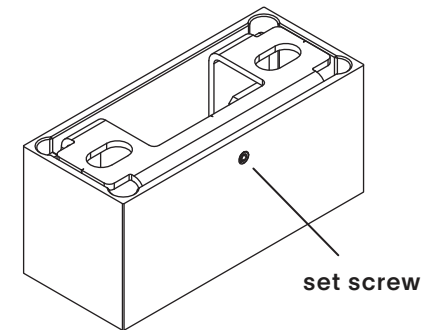
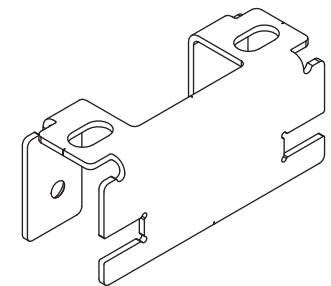
Note that the orientation of the bracket is important for the location of the set screw on the anchor cover.



**Electrical side**  
Open side of the bracket facing the canopy.

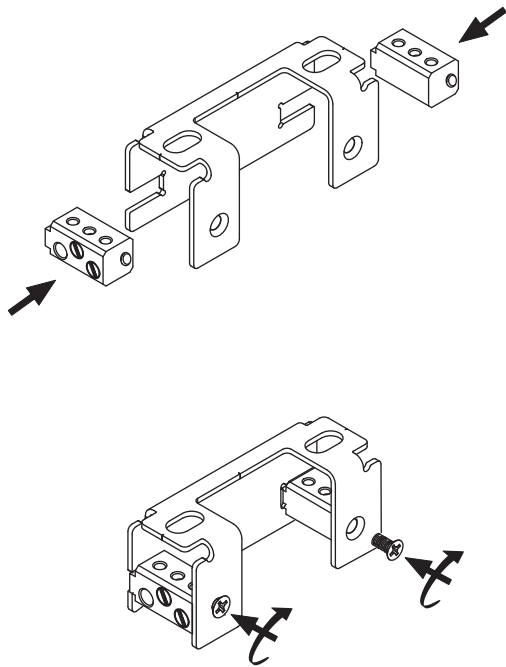


**Non-electrical side**



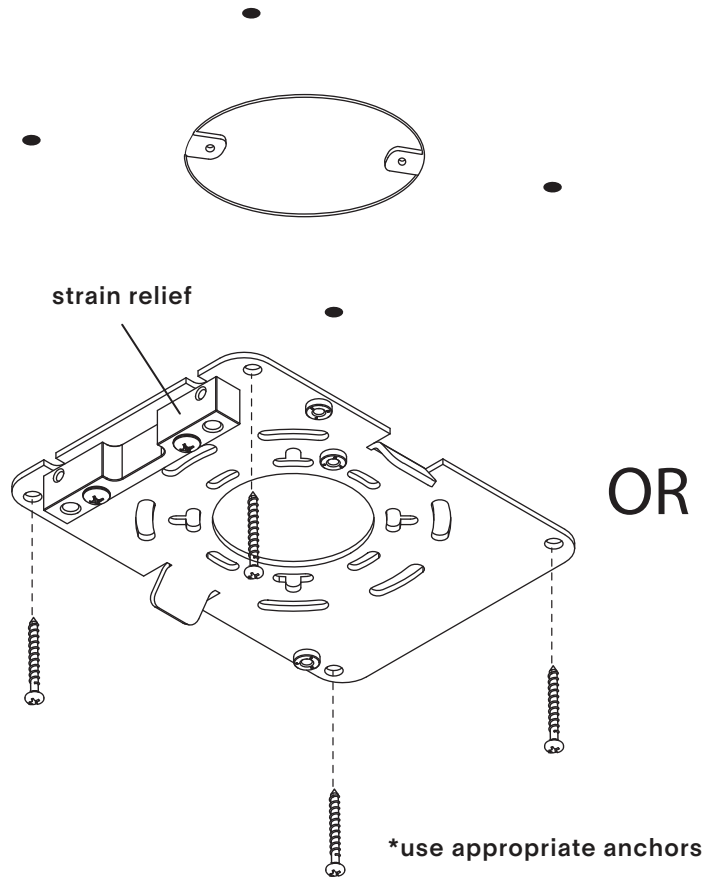
3

Install anchor strain relief.  
Make sure nylon set screw is facing  
the outside of the bracket.

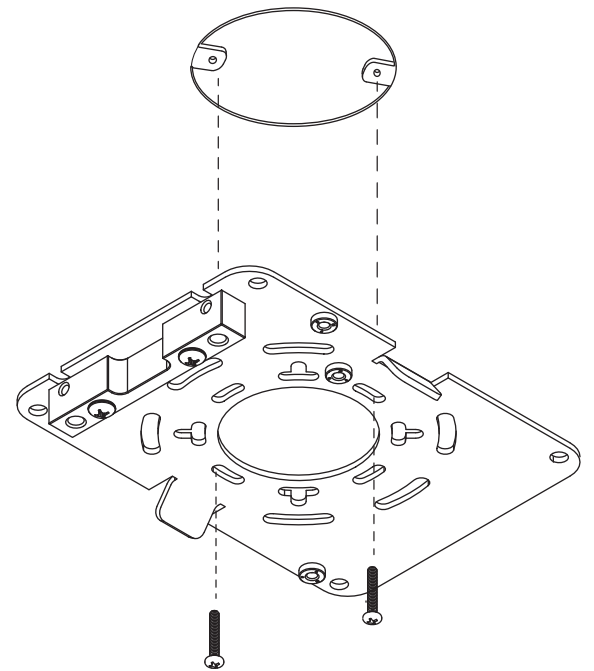


4

Install ceiling brackets.  
**Strain relief side faces the  
electrical block anchor.**



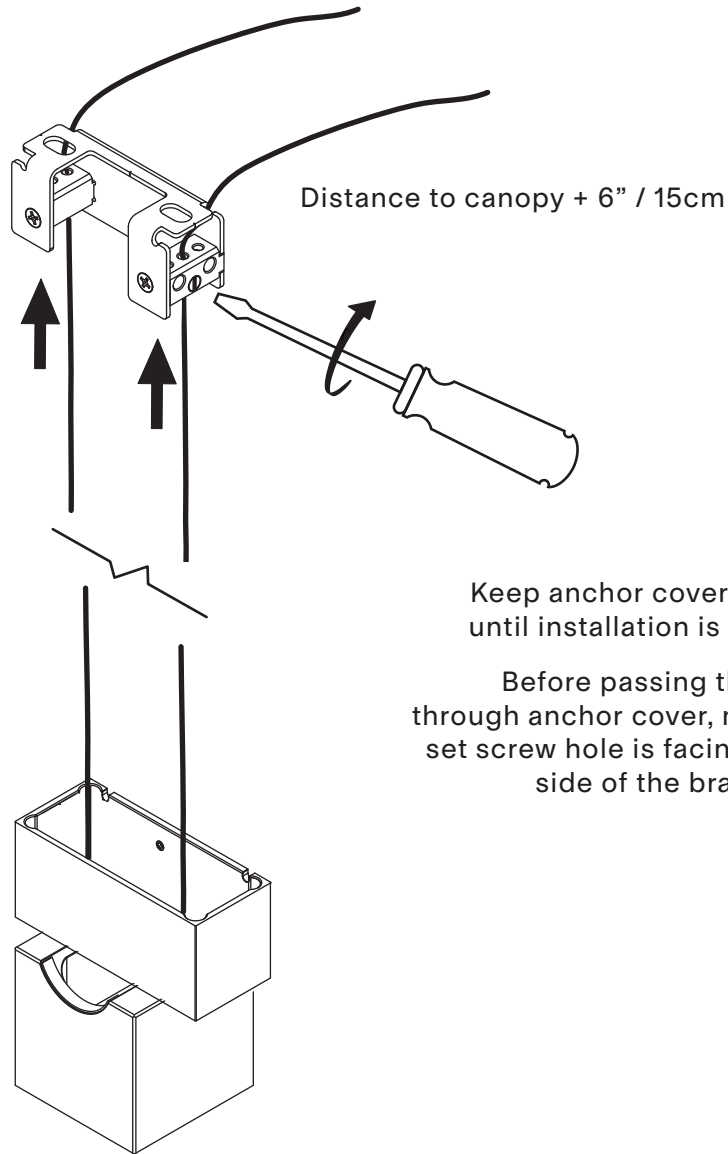
OR



5

Install blocks.

### Electrical block

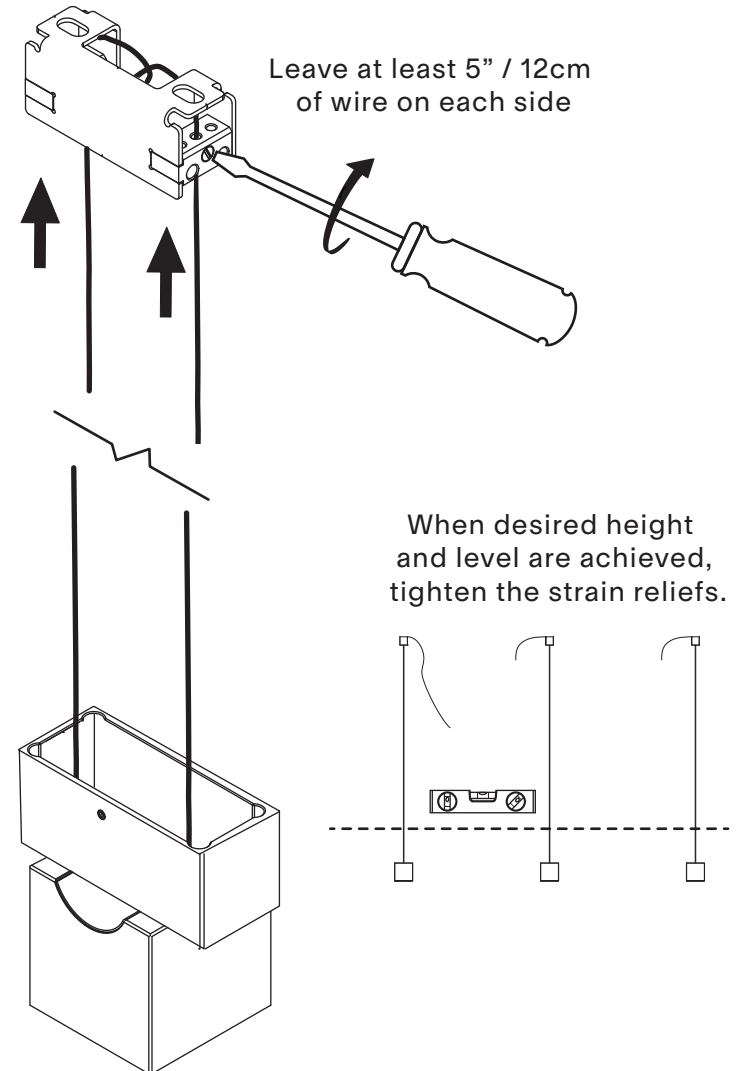


Distance to canopy + 6" / 15cm

Keep anchor cover wrapped until installation is complete.  
Before passing the wire through anchor cover, make sure the set screw hole is facing the closed side of the bracket.

### Non-electrical block

\*slab follows the same steps as non-electrical side



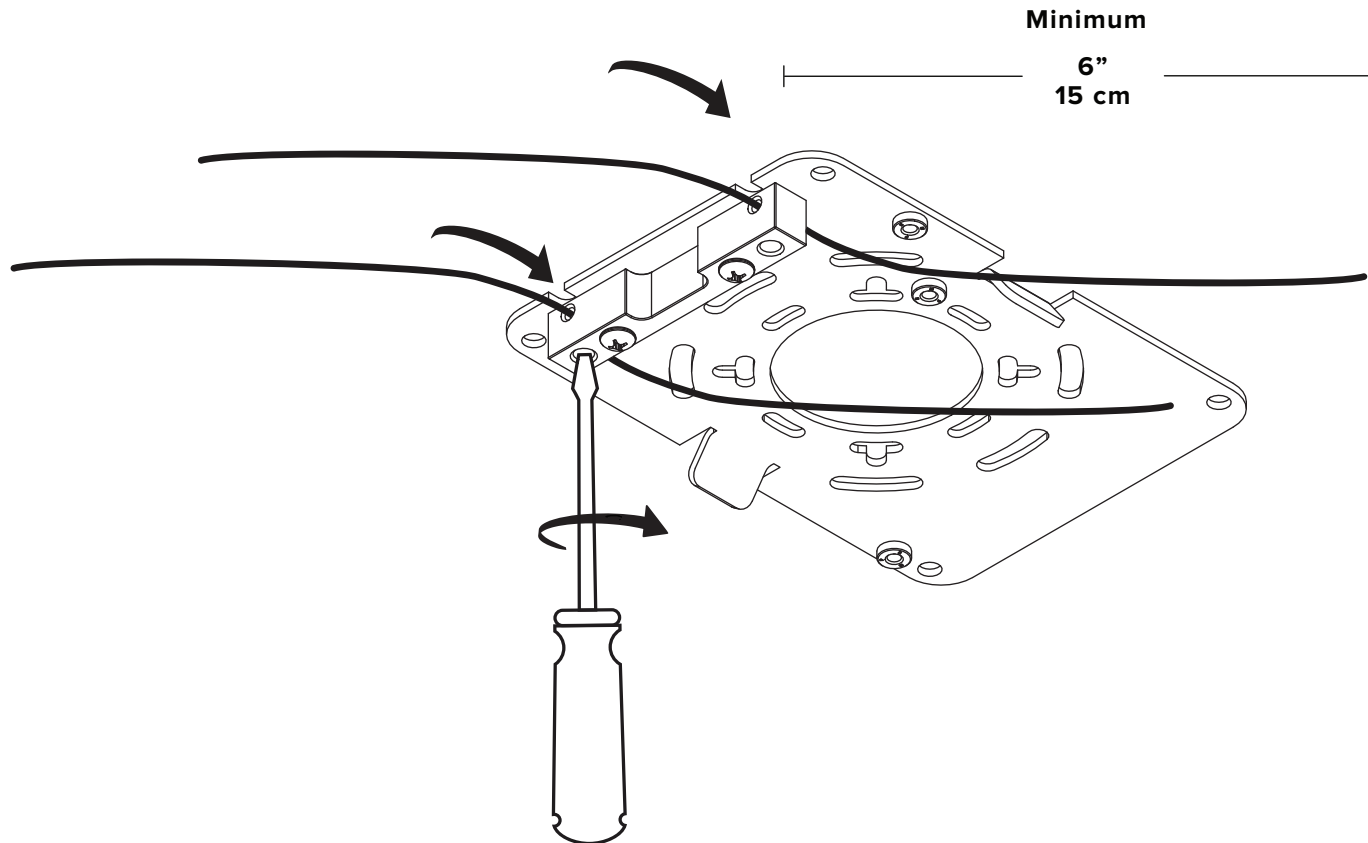
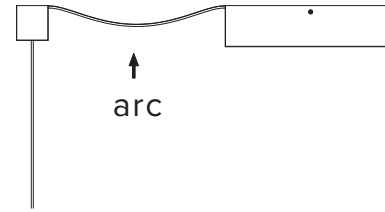
Leave at least 5" / 12cm of wire on each side

When desired height and level are achieved, tighten the strain reliefs.

6

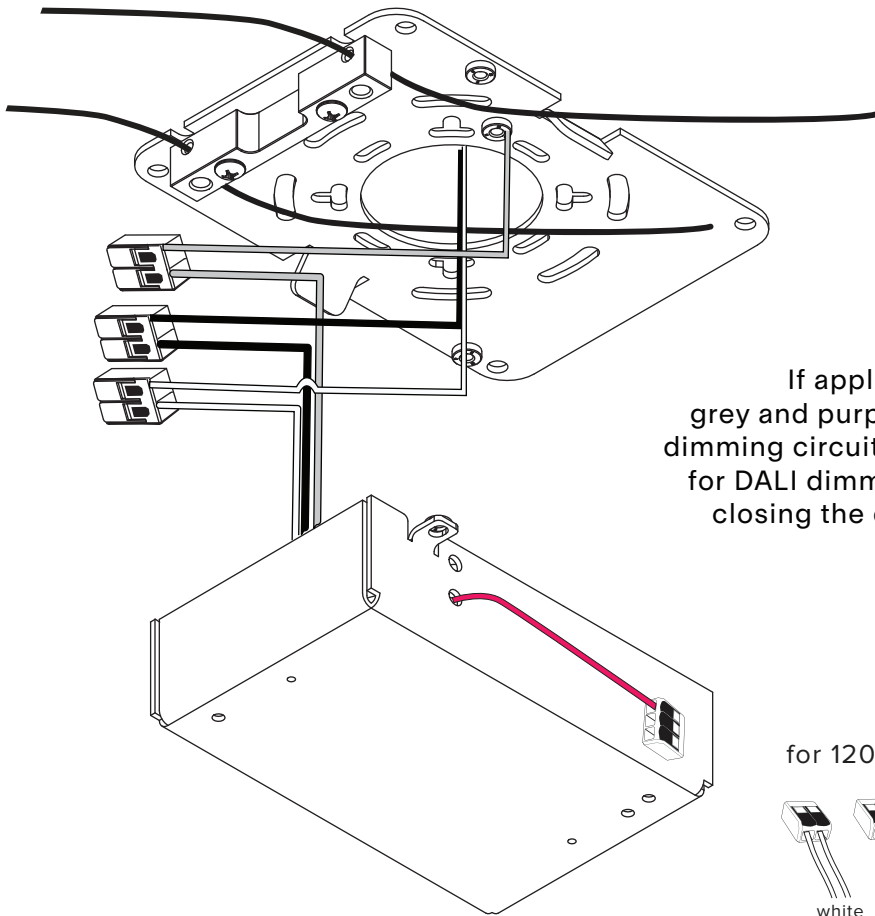
Feed wires from electrical block into canopy strain relief.

When desired arc is achieved, tighten strain relief and trim wires. Leave at least 6" of wire after the strain relief.



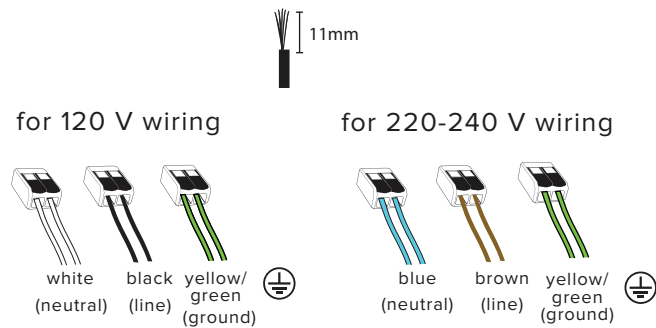
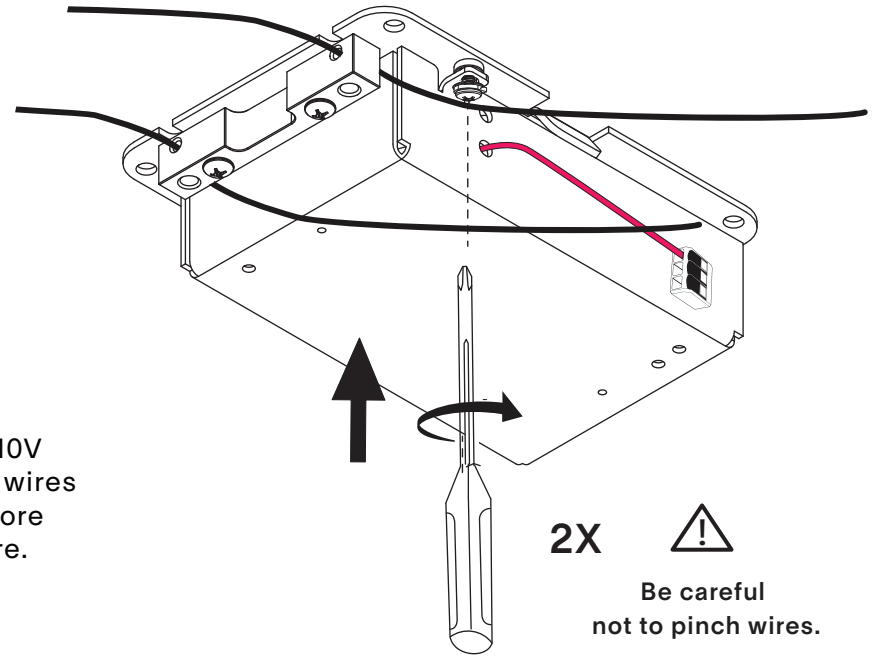
7

Make AC connections to driver housing.  
(housing not provided for CE phase dimming)



If applicable, use grey and purple wires for 0-10V dimming circuit or the orange wires for DALI dimming circuit before closing the driver enclosure.

8



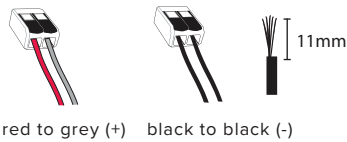
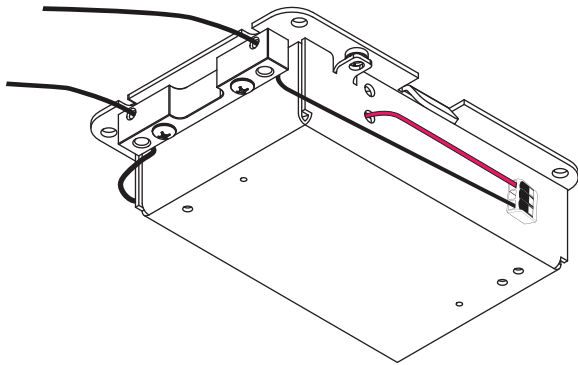
9

Make connection to driver.

Keep wires on the sides and not under the driver enclosure.



Be careful not to pinch wires.



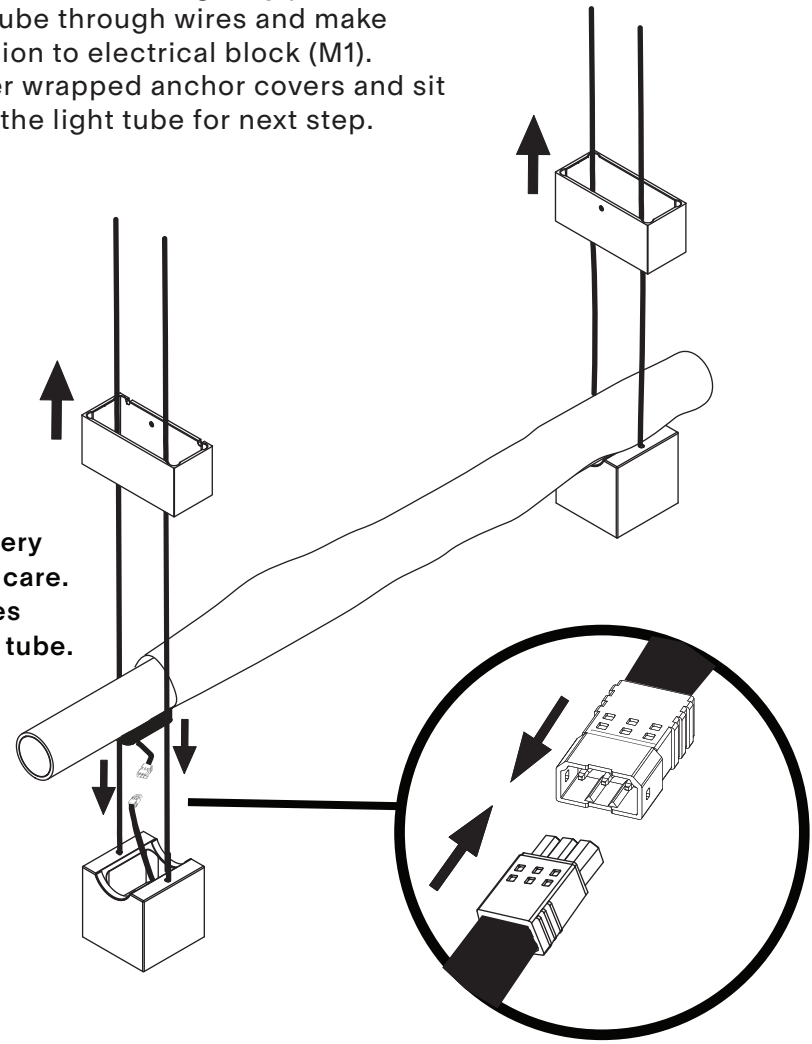
10

Keep light tube wrapped until installation is complete. Remove only the section covering the connectors. The tube sits on the blocks and is held in place with gravity.

Raise anchor covers, gently pass the light tube through wires and make connection to electrical block (M1). Carefully lower wrapped anchor covers and sit them on the light tube for next step.



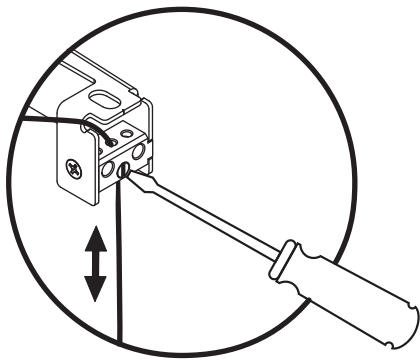
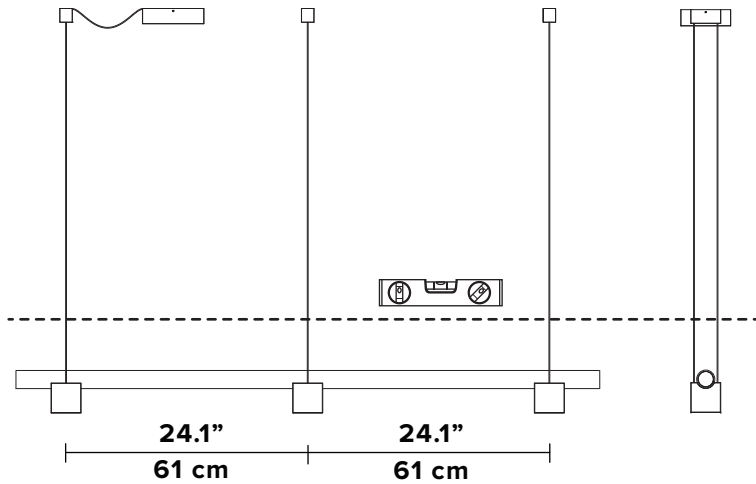
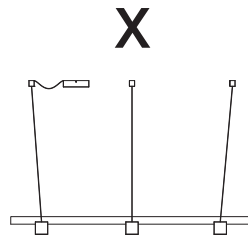
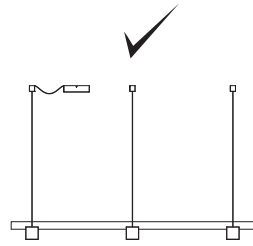
Light tube finish is very sensitive, handle with care. Make sure the wires don't touch or rub the tube.



11

Ensure luminaire is balanced and level with the tube in place.

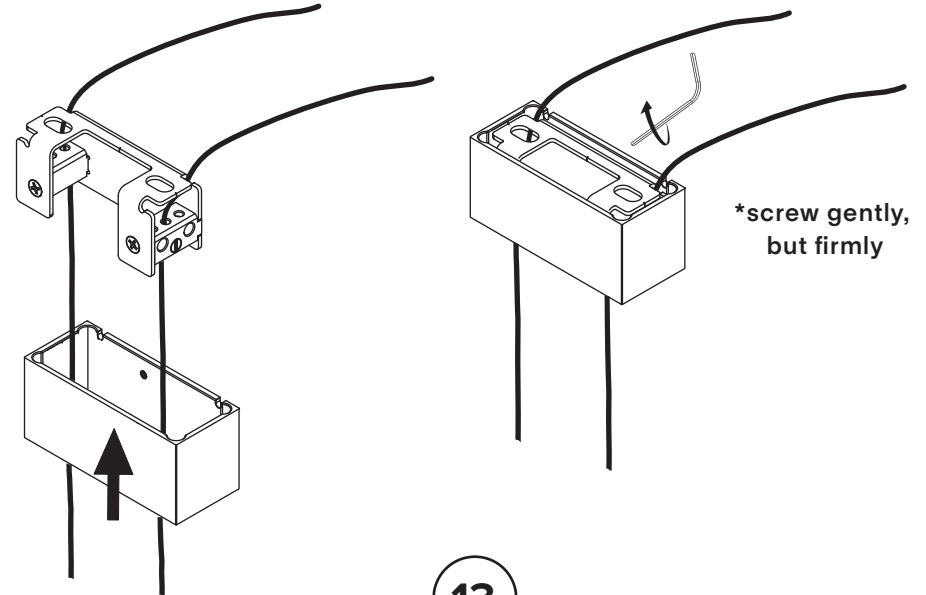
Make adjustments in wire length in the ceiling anchors if necessary. Loosen strain relief, adjust, retighten.



12

Remove protective foam and install anchor covers. Feed extra wire into it.

Make sure wires sit in canopy and anchor grooves.



13

Close canopy cover

