

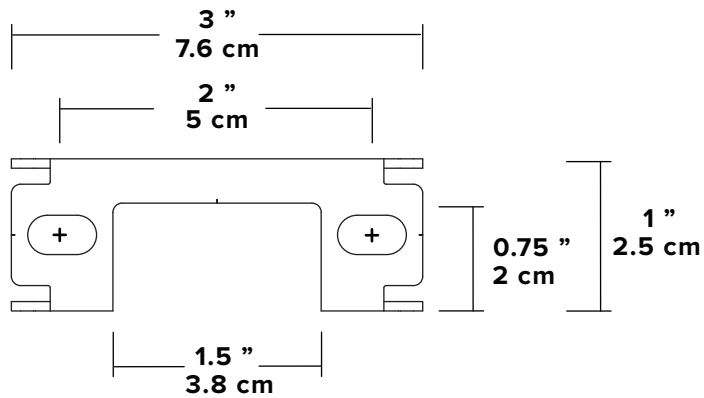
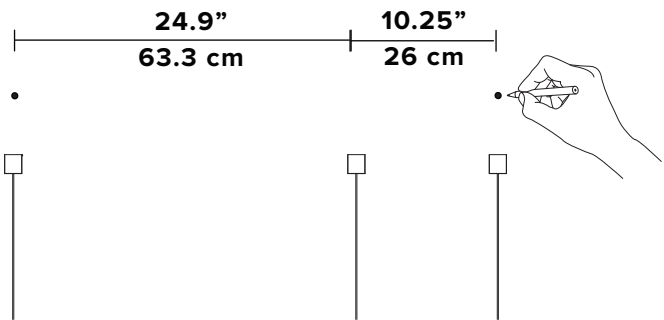
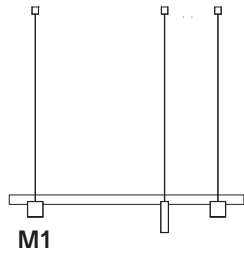
- Please read entire manual before beginning installation
- To be installed by an electrician
- Use appropriate screws where necessary
- Wear enclosed gloves when handling lamp
- Handle materials with care. Please consult lamp maintenance sheet on our website



**NEVER TURN ON POWER SUPPLY  
UNTIL CONNECTIONS AND  
INSTALLATION ARE COMPLETED.  
DOING OTHERWISE COULD BE  
HARMFUL TO YOUR LUMINAIRE.**

1

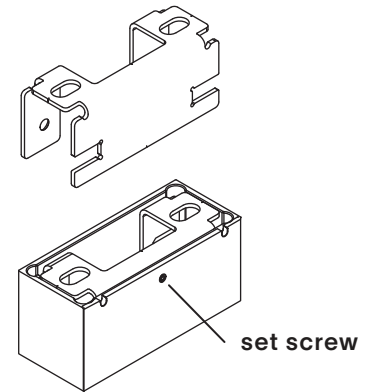
Mark anchor points.  
Make sure electrical wire will  
exit in M1 ceiling bracket.



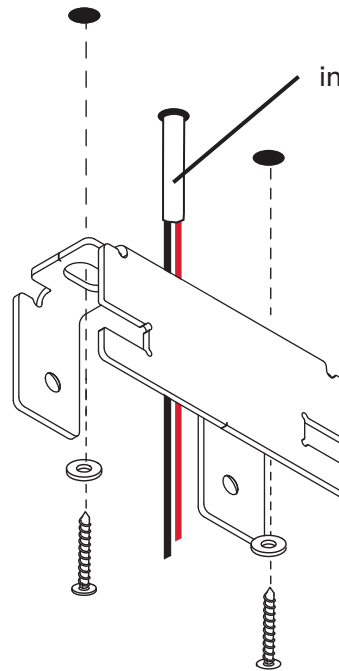
2

Install ceiling anchors  
(use provided washers if needed).

Note that the orientation of the  
bracket is important for the location  
of the set screw on the anchor cover.

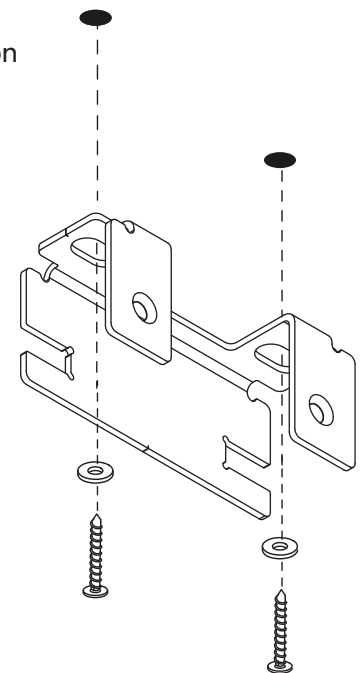


**Electrical side**  
Closed side of the bracket  
facing inwards.



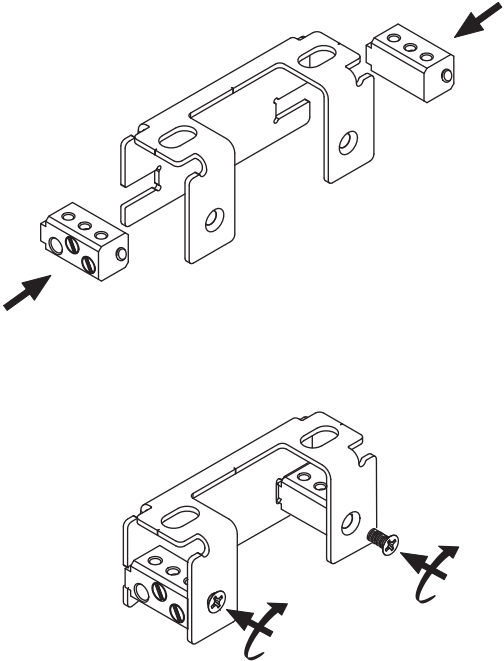
Refer to pages 6, 7, 8 for  
installation and connection  
of remote canopy.

**Non-electrical side**  
Closed side of the bracket  
facing inwards.



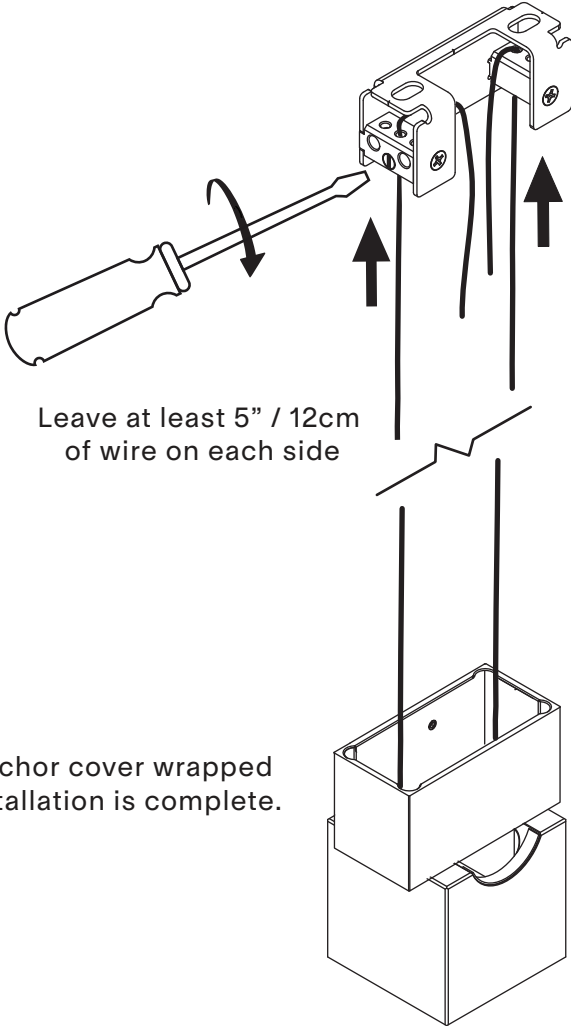
3

Install anchor strain relief.  
Make sure nylon set screw is facing  
the outside of the bracket.



4

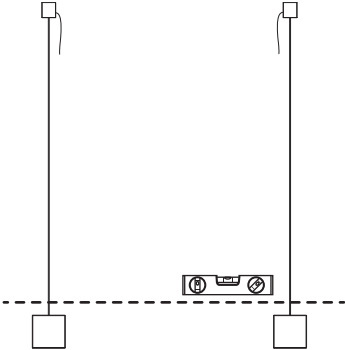
Install blocks.



Leave at least 5" / 12cm  
of wire on each side

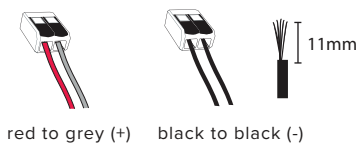
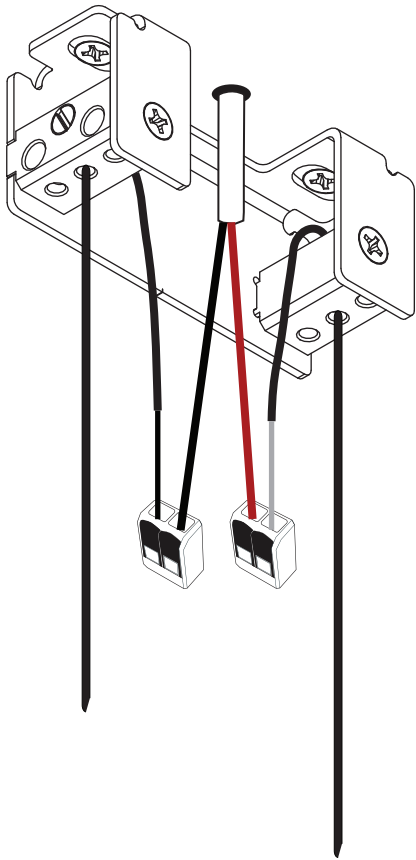
Keep anchor cover wrapped  
until installation is complete.

When desired height  
and level are achieved,  
tighten the strain reliefs.



5

Make connections within electrical (M1) anchor



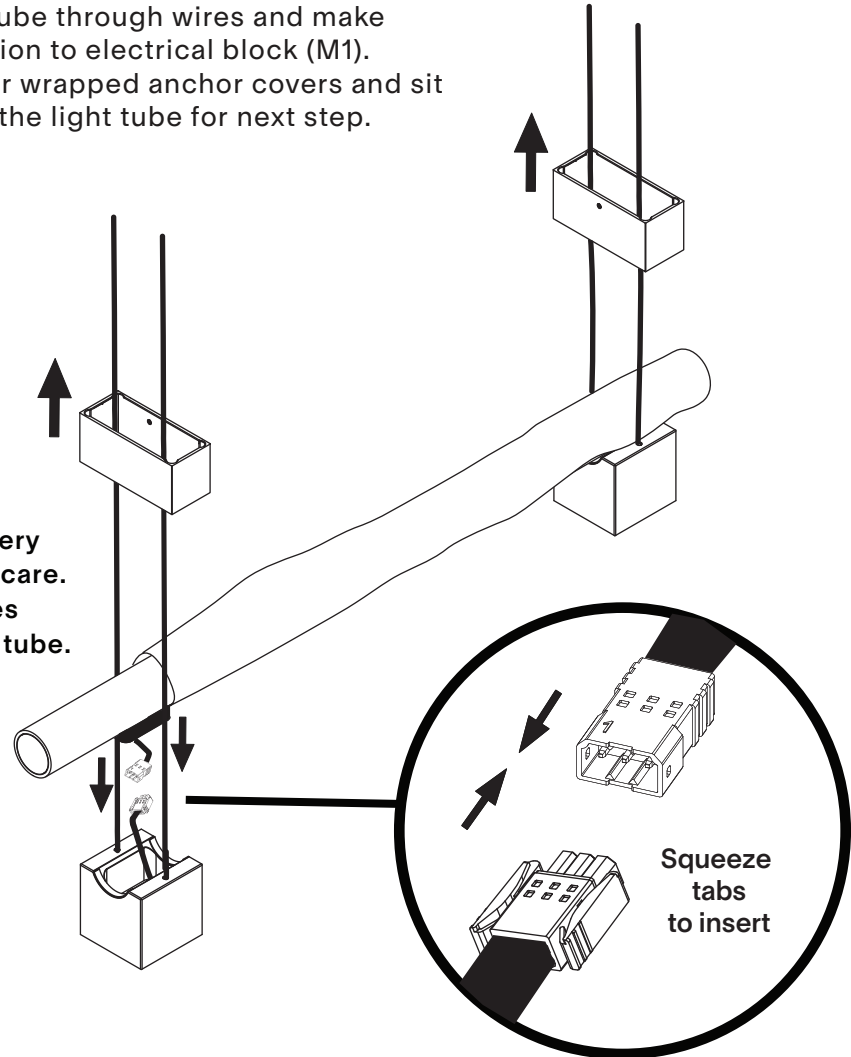
6

Keep light tube wrapped until installation is complete. Remove only the section covering the connectors. The tube sits on the blocks and is held in place with gravity.

Raise anchor covers, gently pass the light tube through wires and make connection to electrical block (M1). Carefully lower wrapped anchor covers and sit them on the light tube for next step.



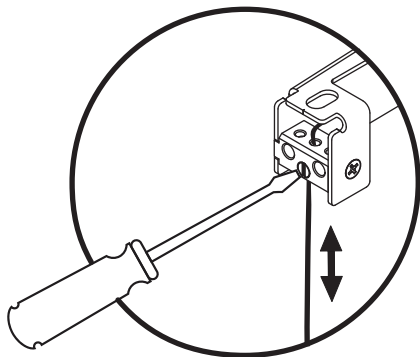
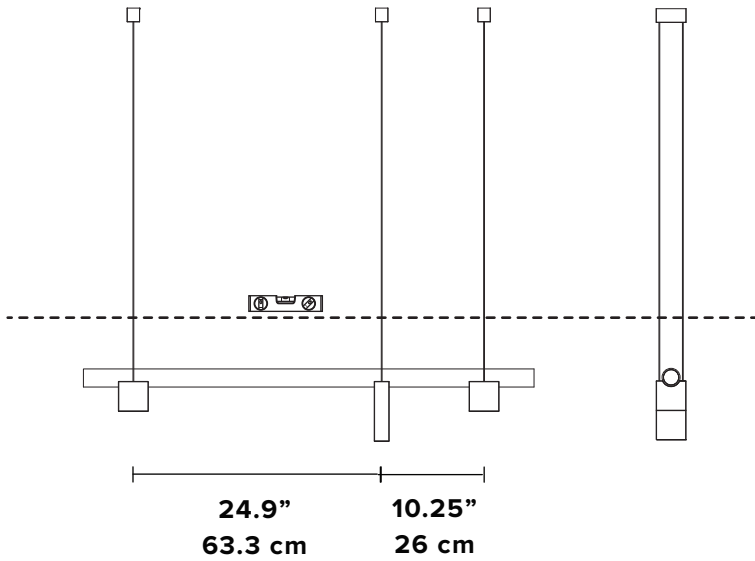
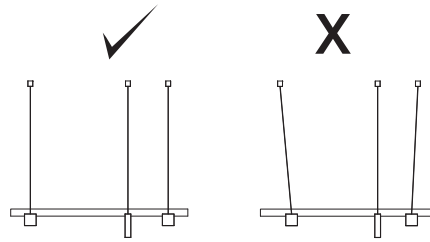
Light tube finish is very sensitive, handle with care. Make sure the wires don't touch or rub the tube.



7

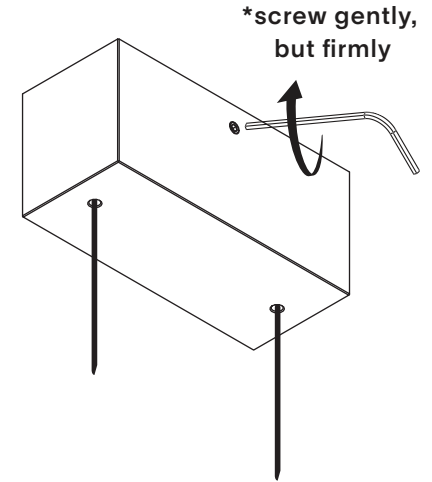
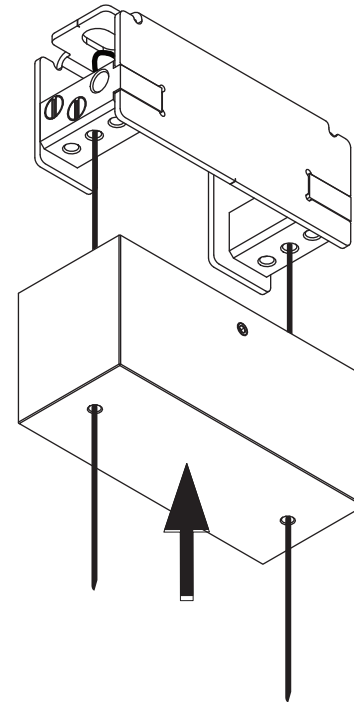
Ensure luminaire is balanced and level with the tube in place.

Make adjustments in wire length in the ceiling anchors if necessary. Loosen strain relief, adjust, retighten.



8

Remove protective foam and install anchor covers. Feed extra wire into covers.



\*screw gently, but firmly

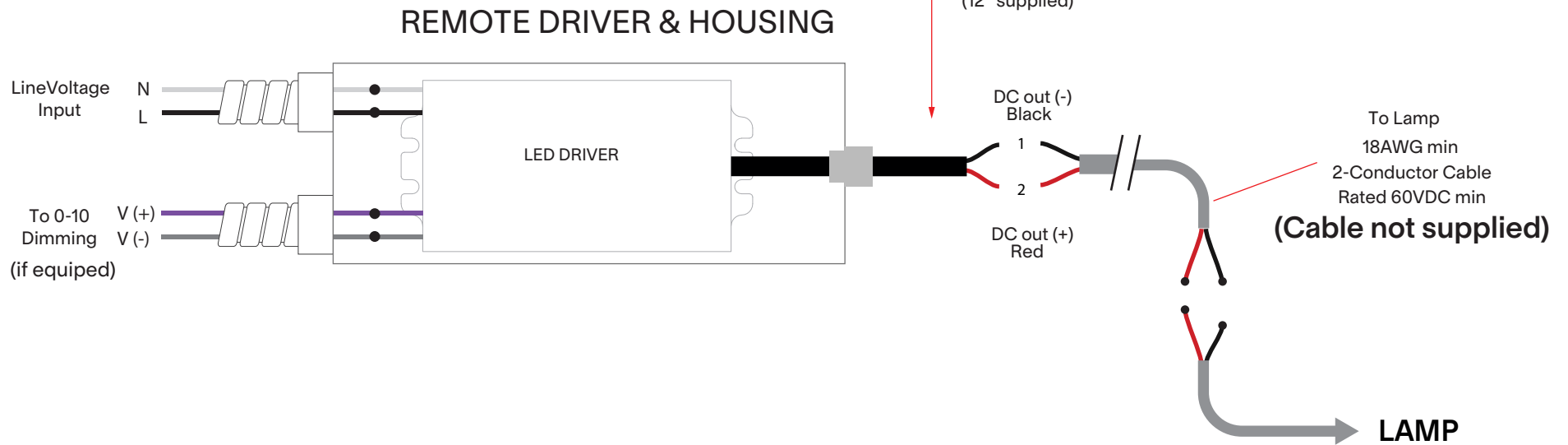
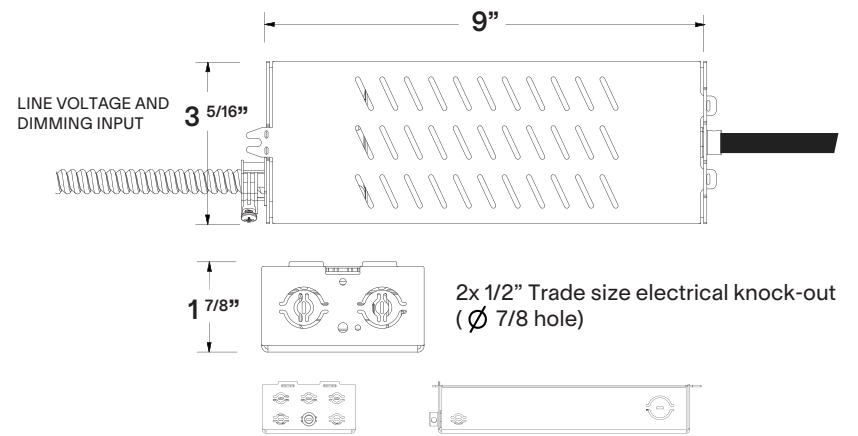
Be careful not to pinch wires.

## REMOTE DRIVER HOUSING

- Must be accessible for maintenance in a well aerated location for heat dissipation

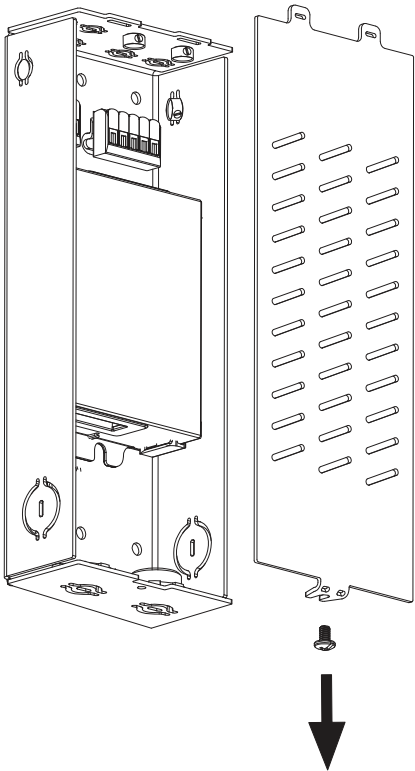
Remote Wire Gauge and Length Allowance Maximum distance between suspended structure internal wiring and remote driver housing

Wire Gauge	Max Distance
18AWG	85 ft. / (26 m)
16AWG	136 ft. / (41 m)
14AWG	216 ft. / (66 m)
12AWG	343 ft. / (105 m)



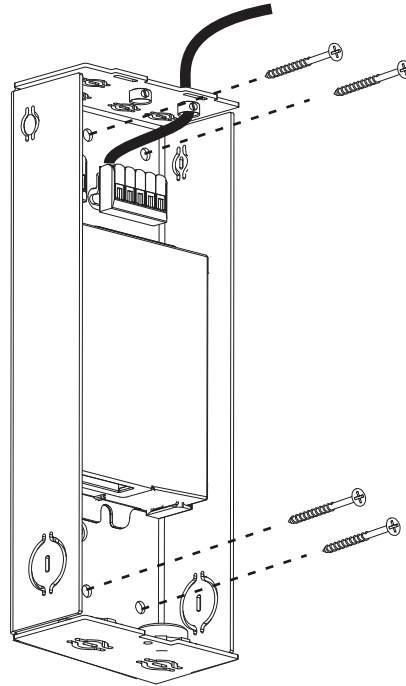
9

Remove screw holding driver housing cover plate



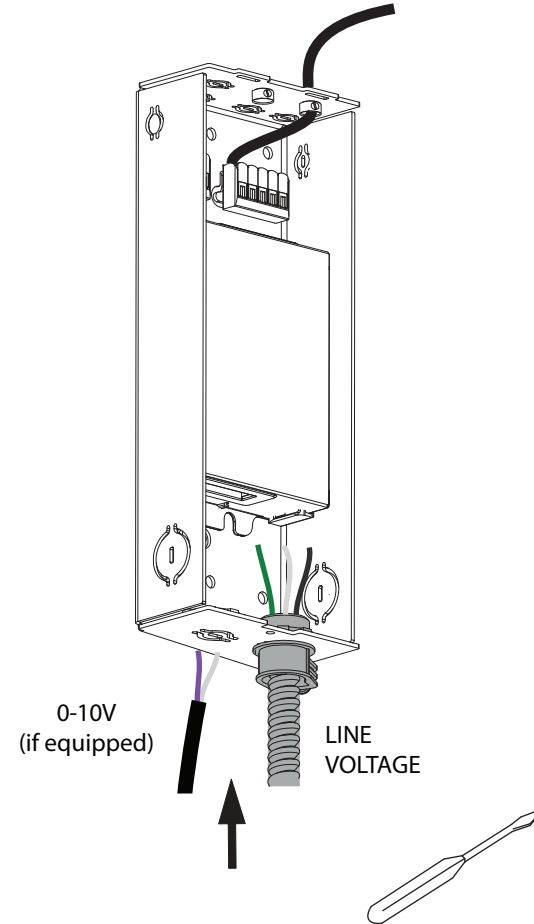
10

Mount driver housing to the wall. Screws not provided



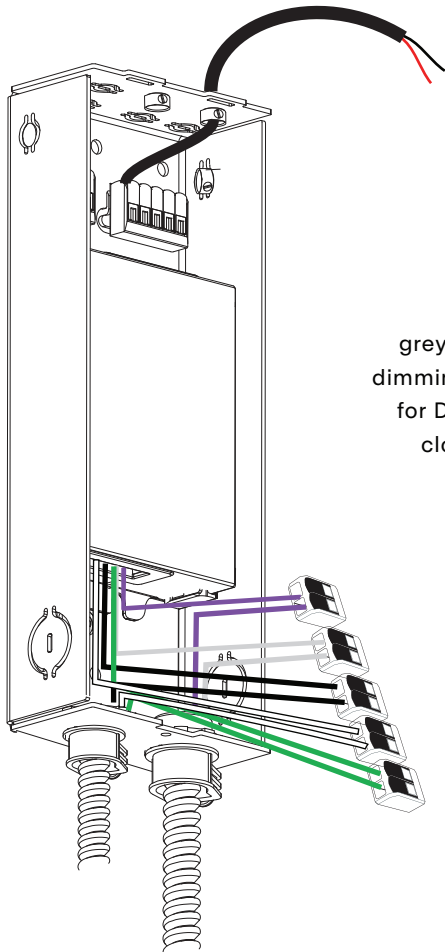
11

Insert Line Voltage cable and 0-10V wiring (if equipped)



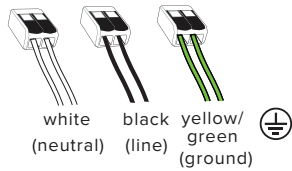
12

Make Line Voltage and dimming connections to driver wiring

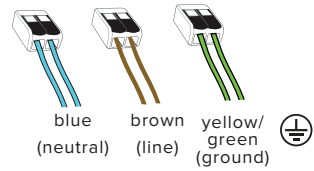


If applicable, use grey and purple wires for 0-10V dimming circuit or the orange wires for DALI dimming circuit before closing the driver enclosure.

for 120 V wiring

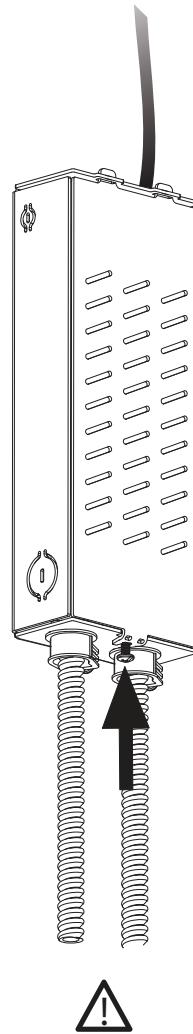


for 220-240 V wiring



13

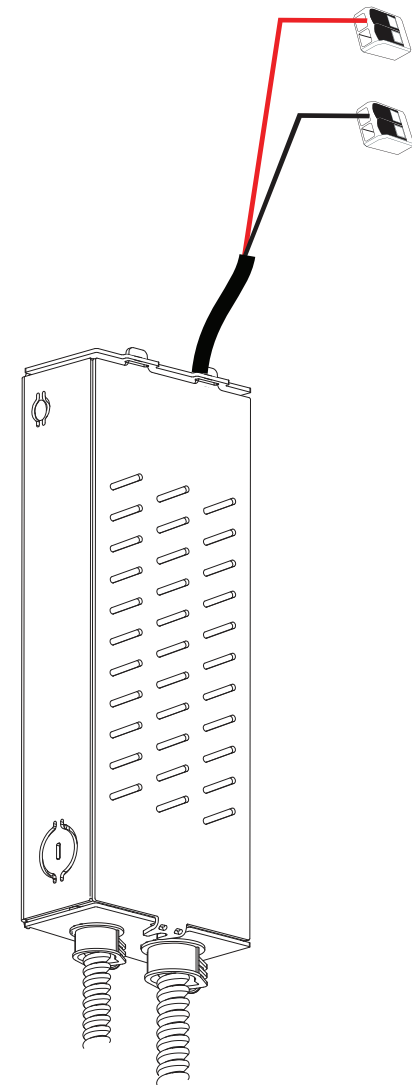
Close driver housing cover plate



Ensure no wires are clipped or pinched during these operations

14

Make connections between luminaire and remote driver housing.



red (+)  
black (-)