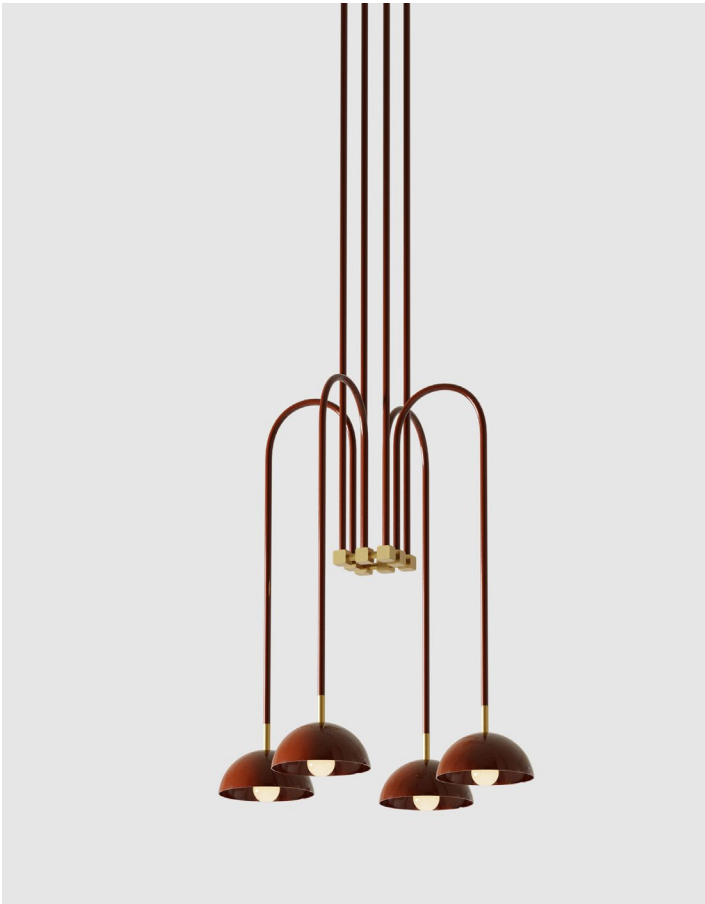




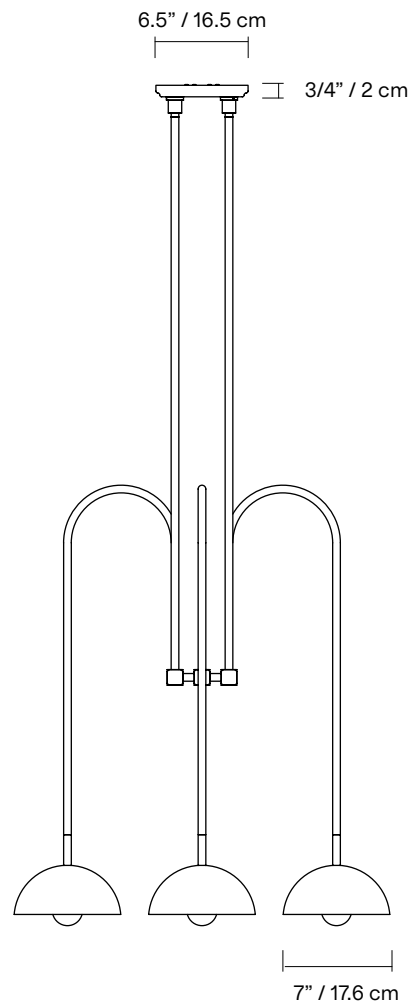
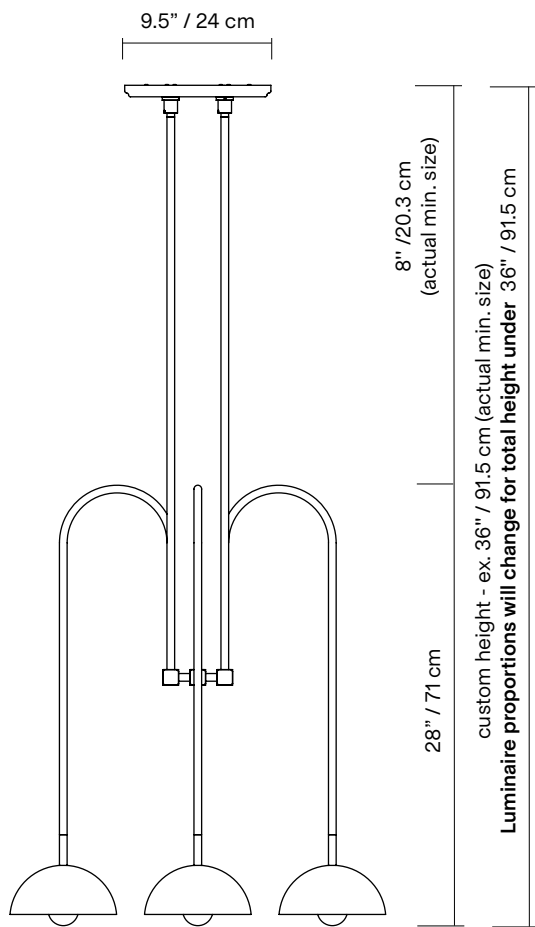
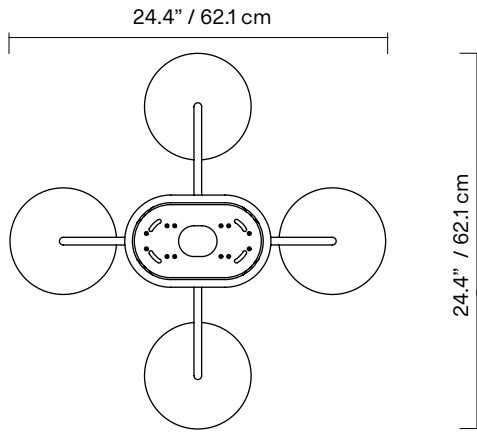


BEAUBIEN ATELIER 03



The Beaubien Atelier is a bold, ornamental suspension lamp that adds a maximalist touch to the minimalist spirit of the original collection. Inspired by the romance of Art Nouveau with a hint of industrial influence, and punctuated by a decorative pattern, the Beaubien Atelier adds a touch of grandeur and opulence to any space.

TYPE	Suspension
CONSTRUCTION	Powder coated aluminum and steel body Powder coated aluminum shades Brass hardware Milk glass globes
SPECIFICATIONS	Source: LED lamp provided (G9 base) Power consumption: 4 x 3.5W Lumen output: 720lm Colour temperature: 2700K included * 3000K available upon request Colour rendering index: 80 CRI standard * ≥ 90 CRI available upon request Expected lifetime: 25 000h
CONTROL	Refer to our recommended list of dimmer models
TOTAL HEIGHT	Custom
WEIGHT	Min. 13 lb / 5.9 Kg
CERTIFICATIONS	    IP20
WARRANTY	2 years



*dimensions are approximate and may vary slightly

FINISH



GE
Glossy
elephant



OB
Glossy
oxblood

HARDWARE



BR
Brass

NOTES

- Must be installed by an electrician
- Not protected against liquids (refer to IP20)
- Additional charges for modifications or for special orders
- Please refer to maintenance sheet on our website for cleaning instructions
- ceiling anchors not meant for slanted ceilings (available upon request)

EU ENERGY LABEL

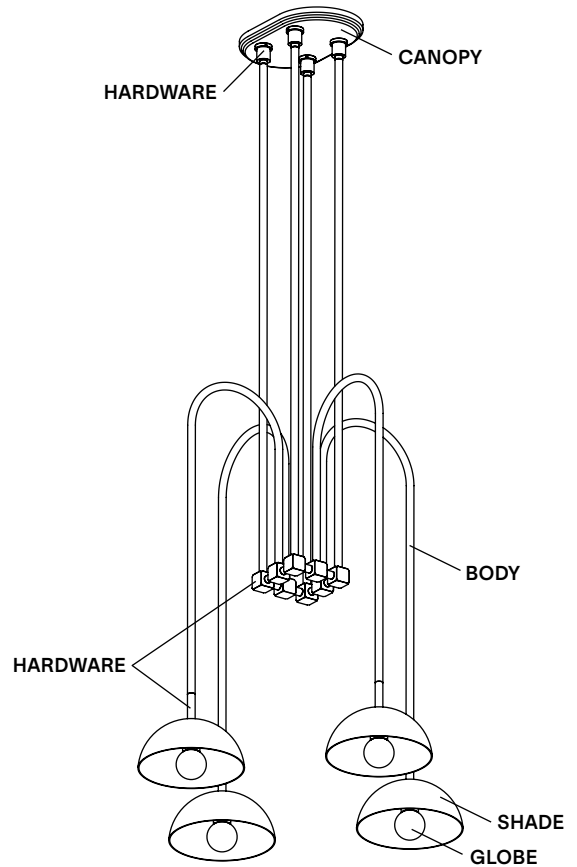
lambert&fils BEA 53

This luminaire is compatible with bulbs of the energy classes:

This luminaire is sold with a bulb of the energy class : **A+**

874/2012

LAMP ANATOMY



		Example	Fill with your selection
COLLECTION	BEA Beaubien	BEA	BEA
MODEL	53	53	53
FINISH	GE Glossy elephant OB Glossy oxblood CC Custom colour*	GE	
FULL SKU		BEA53GE	
		NOTES	

*Custom colour available upon request. Material library on website.

TESTED DIMMER COMPATIBILITY LIST - 120V*

Phase cut dimming (leading edge or trailing edge**)

DIMMER BRAND	MODEL	MAX LEVEL	MIN LEVEL	DIMMING PROTOCOL
LUTRON - MAESTRO	MAELV-600	100%	0%	Phase Cut
LUTRON - SKYLARK	SELV-300P	100%	0%	Phase Cut
LUTRON - SKYLARK	SELV-300P	100%	0%	Phase Cut
LUTRON - SKYLARK	CTELV-303P	100%	0%	Phase Cut
LUTRON - DIVA	DVELV-300P	100%	0%	Phase Cut
LEGRAND - ADORNE	TRUE UNIVERSAL	100%	30%	Phase Cut

TESTED DIMMER COMPATIBILITY LIST - 230V*

Phase cut dimming (leading edge or trailing edge**)

DIMMER BRAND	MODEL	MAX LEVEL	MIN LEVEL	DIMMING PROTOCOL
VARILIGHT	V-PRO	100%	2%	Phase Cut
LEGRAND - NILOÉ	3 996 35	87%	15%	Phase Cut
NIKO	310-0280X	94%	5%	Phase Cut
NIKO	310-0190X	100%	1%	Phase Cut

*Other dimmers can yield good results and we recommend conducting your own test before final installation.

Some dimmers require a minimum load, check specifications.

*Other dimmers that specify LED lamp compatibility may operate without issue.

We recommend conducting your own test before final installation.

**Leading edge is also known as TRIAC or Forward Phase.

Trailing edge is also known as ELV or Reverse Phase.
