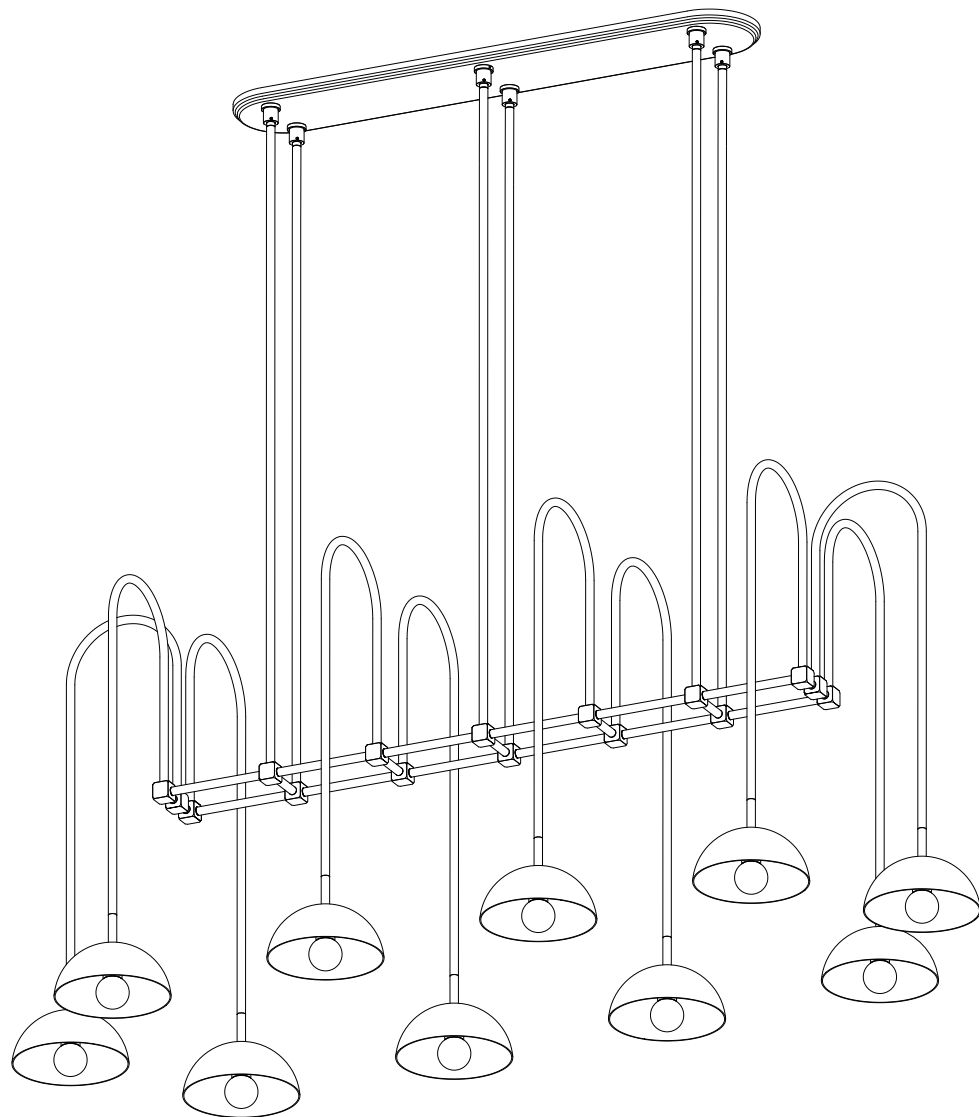


BEAUBIEN 56



lambert&fils



- Please read entire manual before beginning installation
- To be installed by an electrician to an electrical box
- Use appropriate screws where necessary
- Wear enclosed gloves when handling lamp
- Handle materials with care. Please consult lamp maintenance sheet on our web site

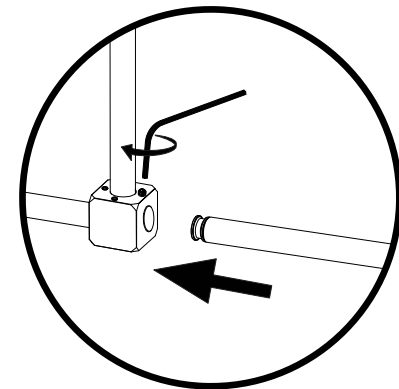
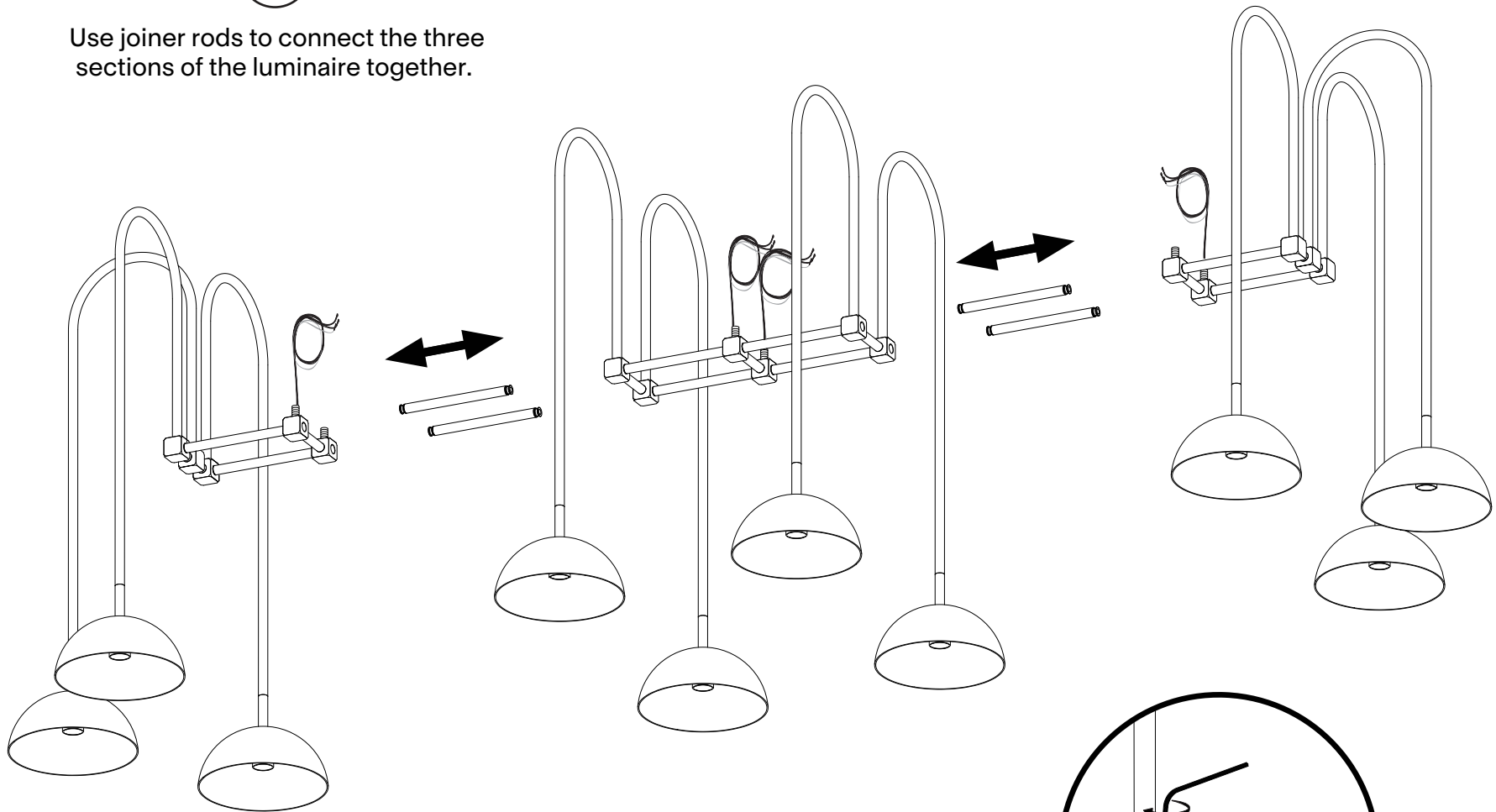
32.5 lbs. / 14.7 kg



**Keep luminaire upright
during installation steps.
Do not lay it on it's side.**

1

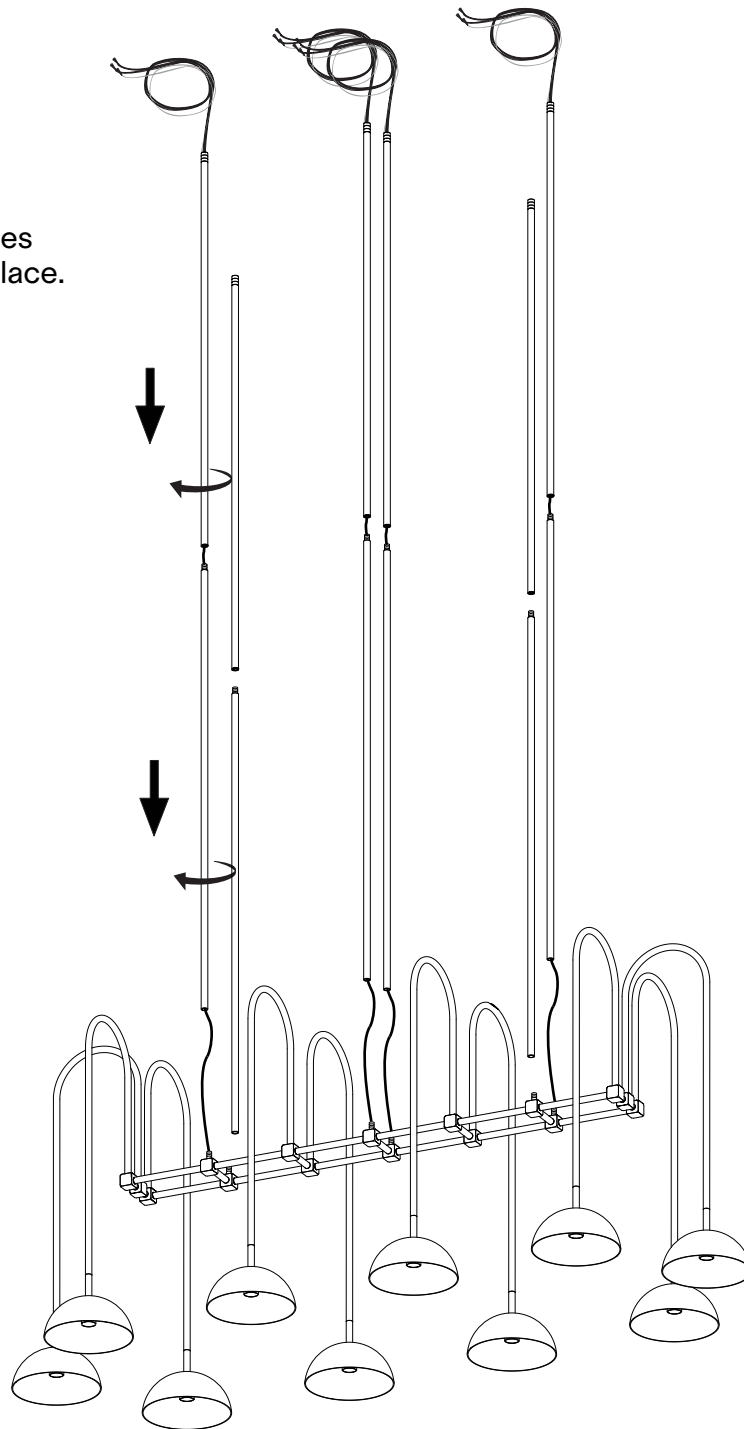
Use joiner rods to connect the three sections of the luminaire together.



Insert joining rods, then tighten set screw gently, but firmly.

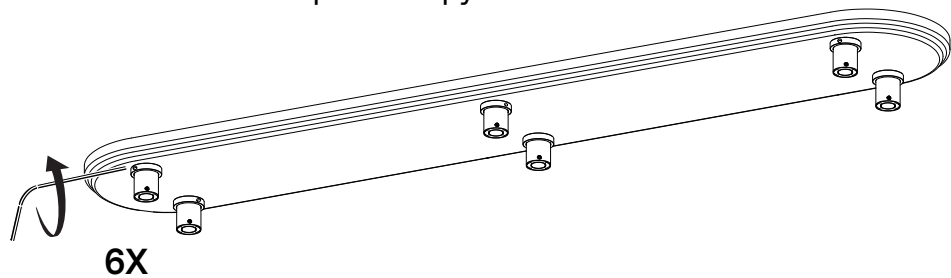
2

Pass wires through ceiling tiges and rotate both segments into place.



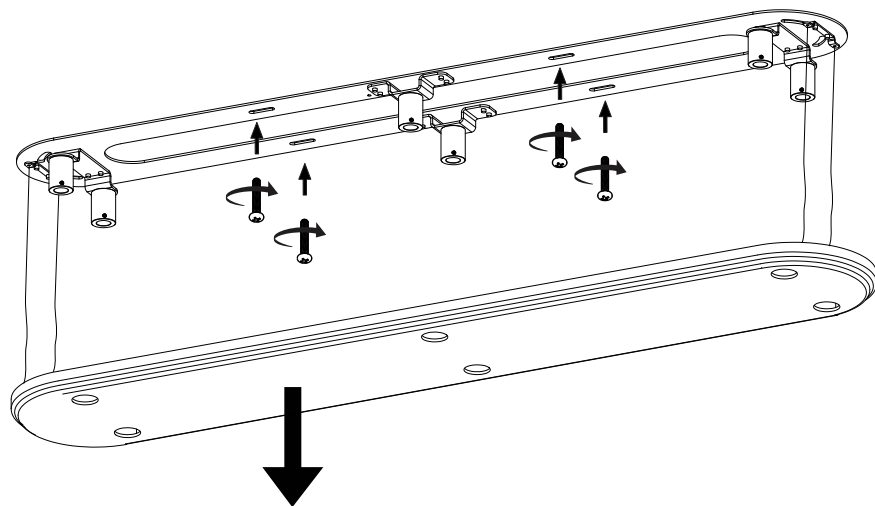
3

Open canopy cover



4

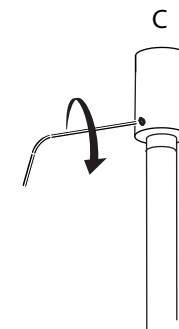
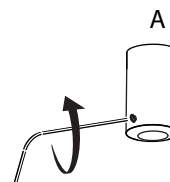
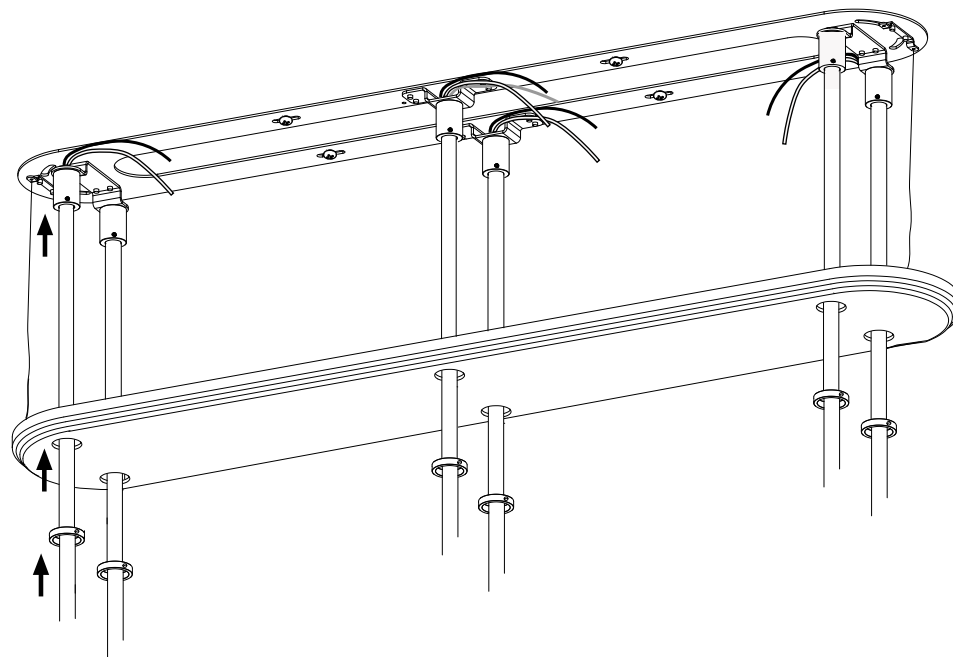
The cover is held in place with four steel cables. Mount bracket to ceiling using appropriate anchors.



5

Pass the tiges through slip ring, canopy cover, then into the anchor following steps A to C.

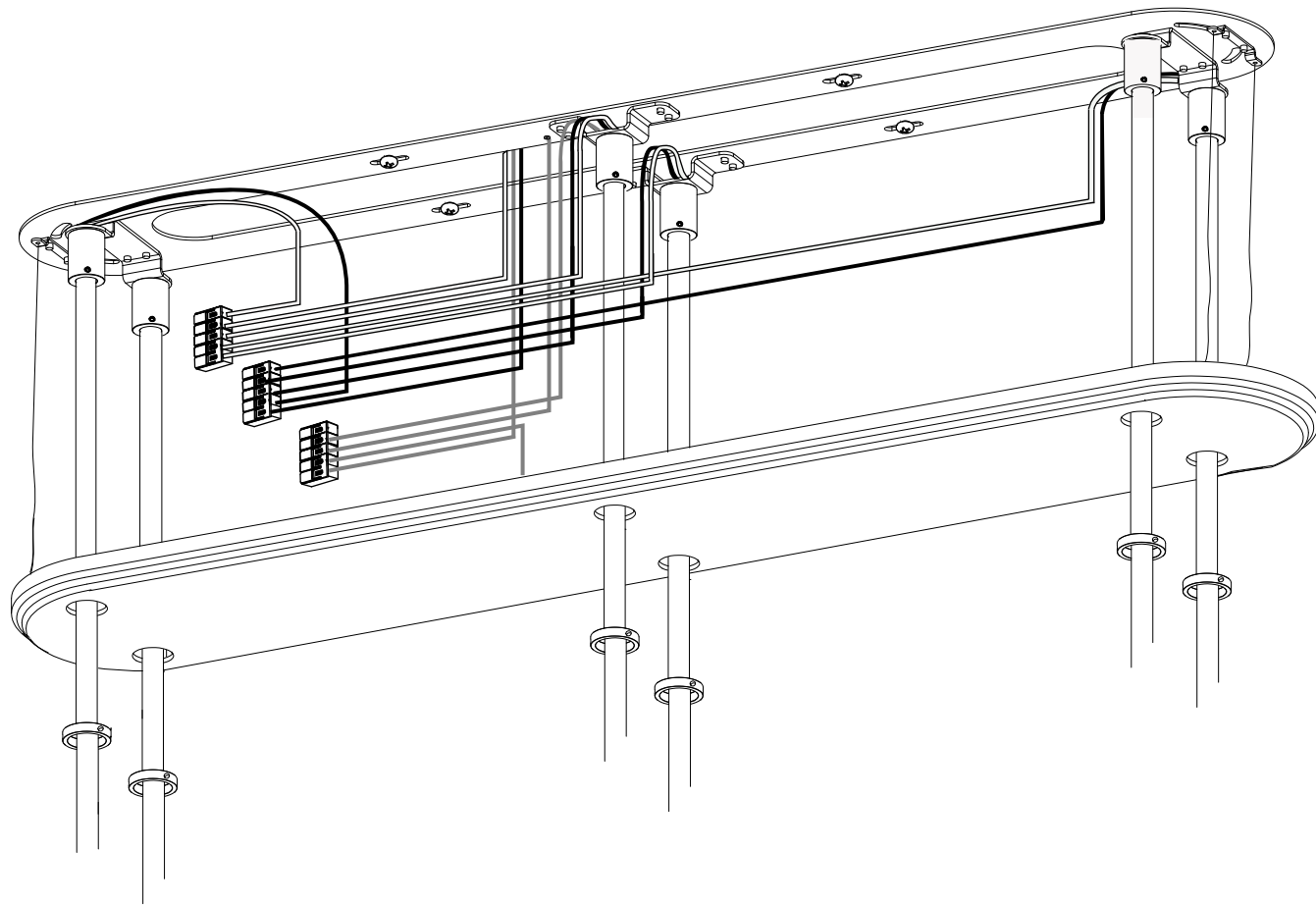
Micro-adjustments can be made later.



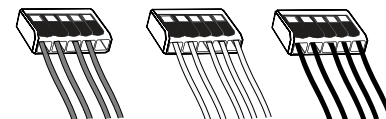
SCREW GENTLY BUT FIRMLY

6

Make connections

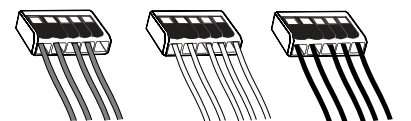


for 120 V wiring



green
⊕
white
(neutral)
black
(line)

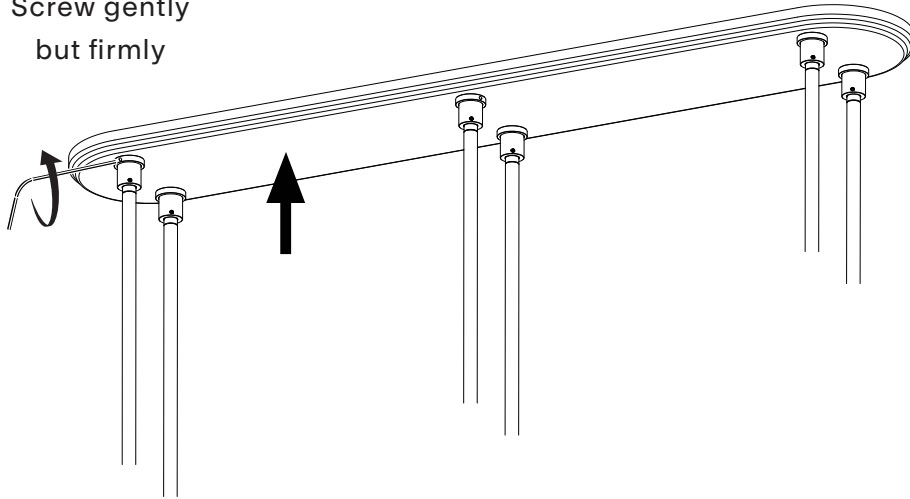
for 220-240 V wiring



⊕ green/
yellow blue
(neutral) brown
(line)

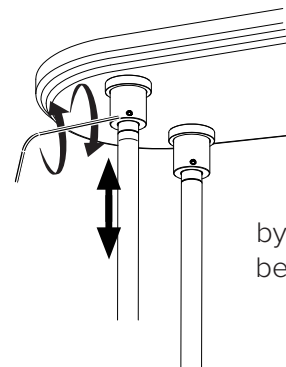
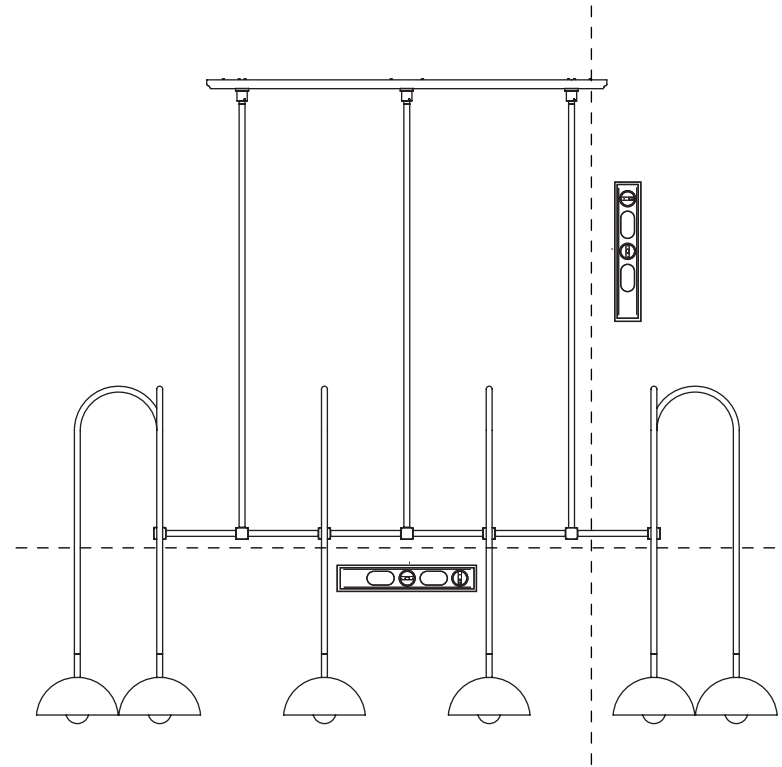
7

6X
Screw gently
but firmly



Ensure no wires are
clipped or pinched during
this operation.

8

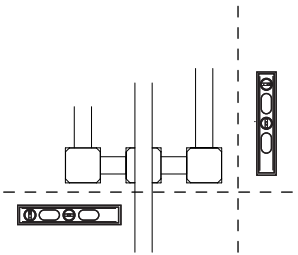
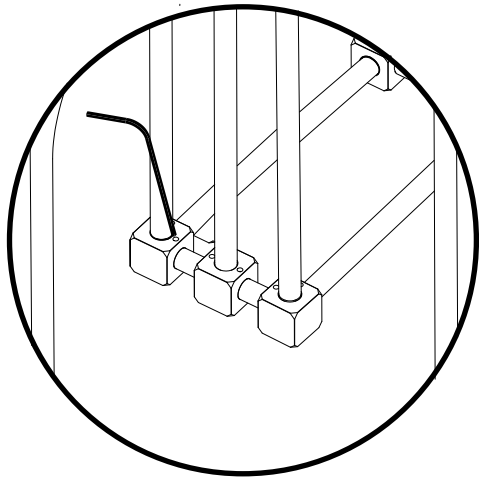


Level is adjusted
by moving the stem up and down
between the two segmented lines

9

The brass cubes may have shifted, or become loose in shipping. Make sure they are level in all senses.

If adjustments are needed, loosen set screw, adjust arms, re-tighten set screw.



10

