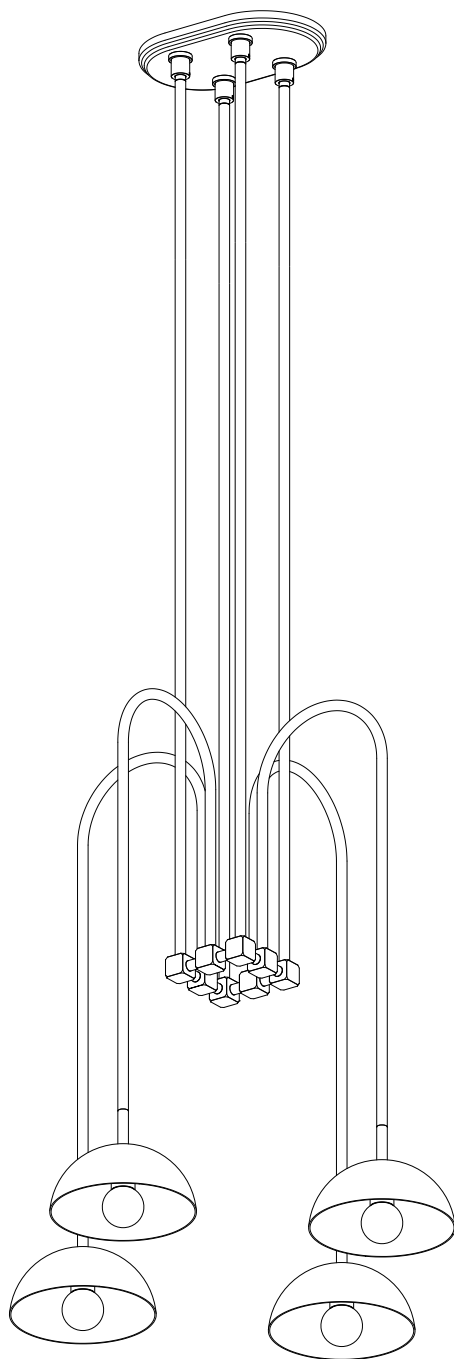


BEAUBIEN 53



lambert&fils



- Please read entire manual before beginning installation
- To be installed by an electrician to an electrical box
- Use appropriate screws where necessary
- Wear enclosed gloves when handling lamp
- Handle materials with care. Please consult lamp maintenance sheet on our web site

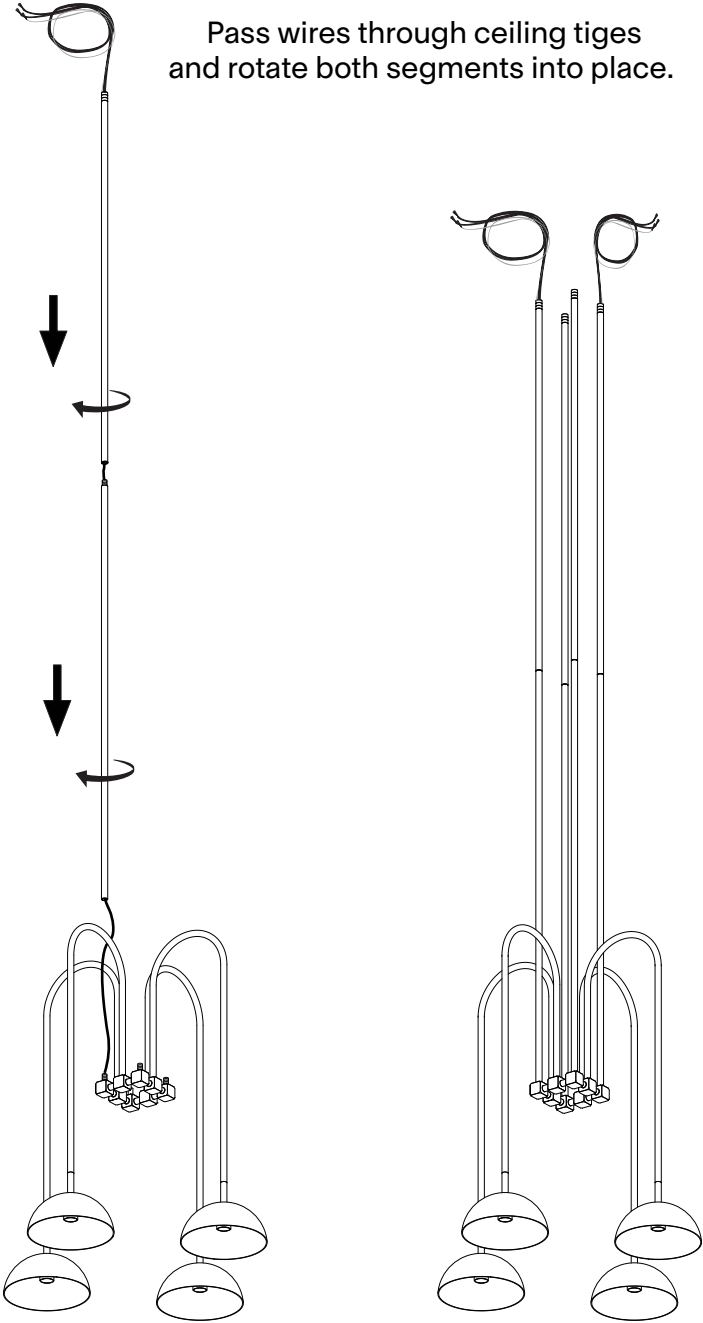
13 lbs. / 5.9 kg



Keep luminaire upright
during installation steps.
Do not lay it on it's side.

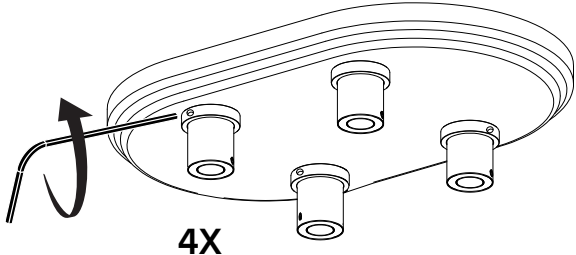
1

Pass wires through ceiling tiges and rotate both segments into place.



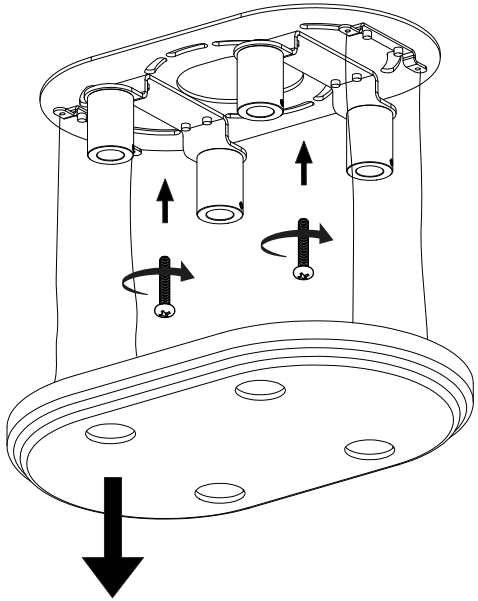
2

Open canopy cover



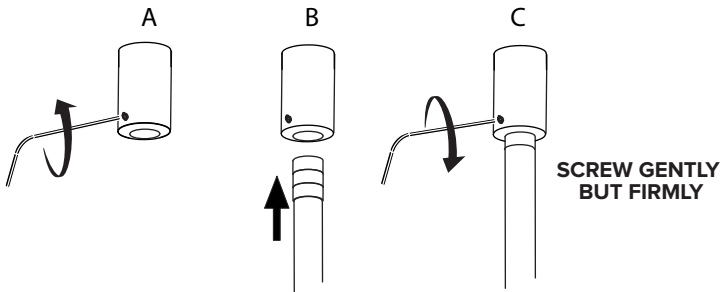
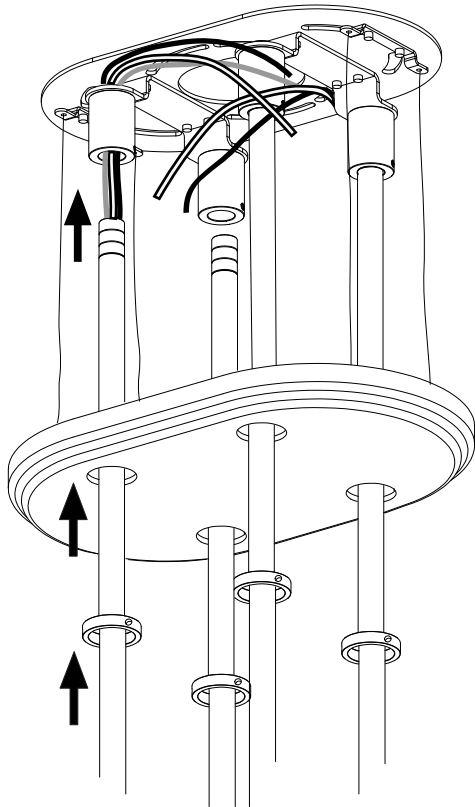
3

The cover is held in place with four steel cables. Mount bracket to electrical box or to ceiling using appropriate anchors.



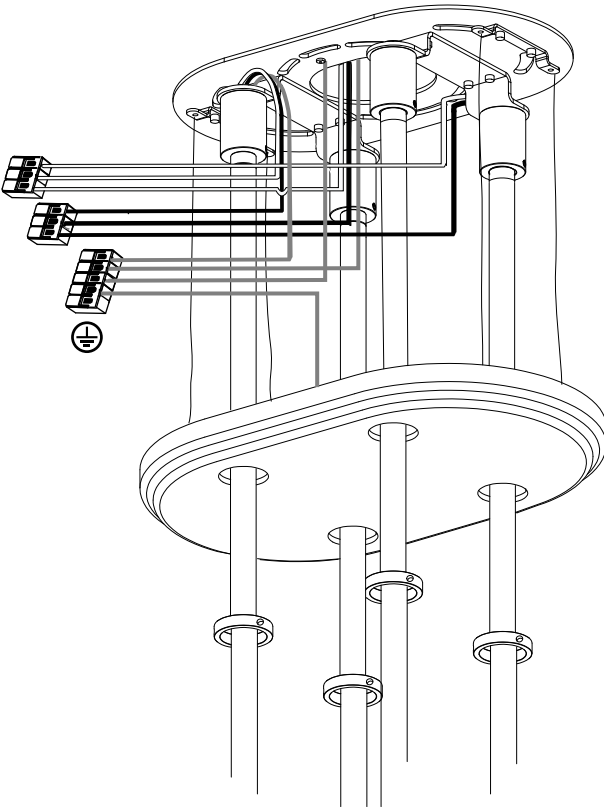
4

Pass the tiges through the slip ring, canopy cover, then, into the anchor following steps A to C. Micro-adjustments can be made later.

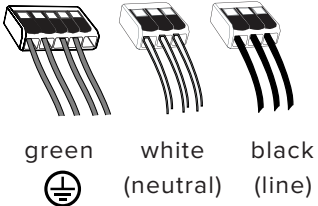


5

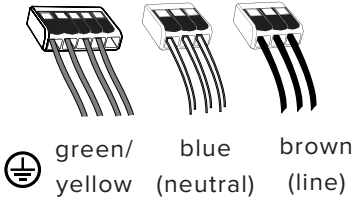
Make connections



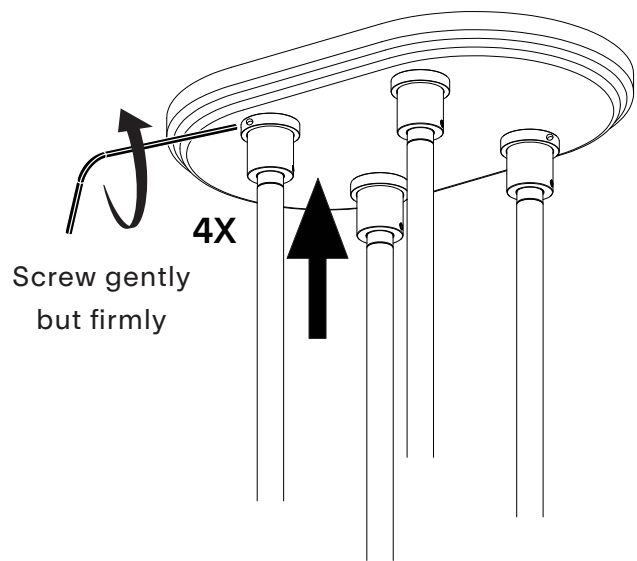
for 120 V wiring



for 220-240 V wiring

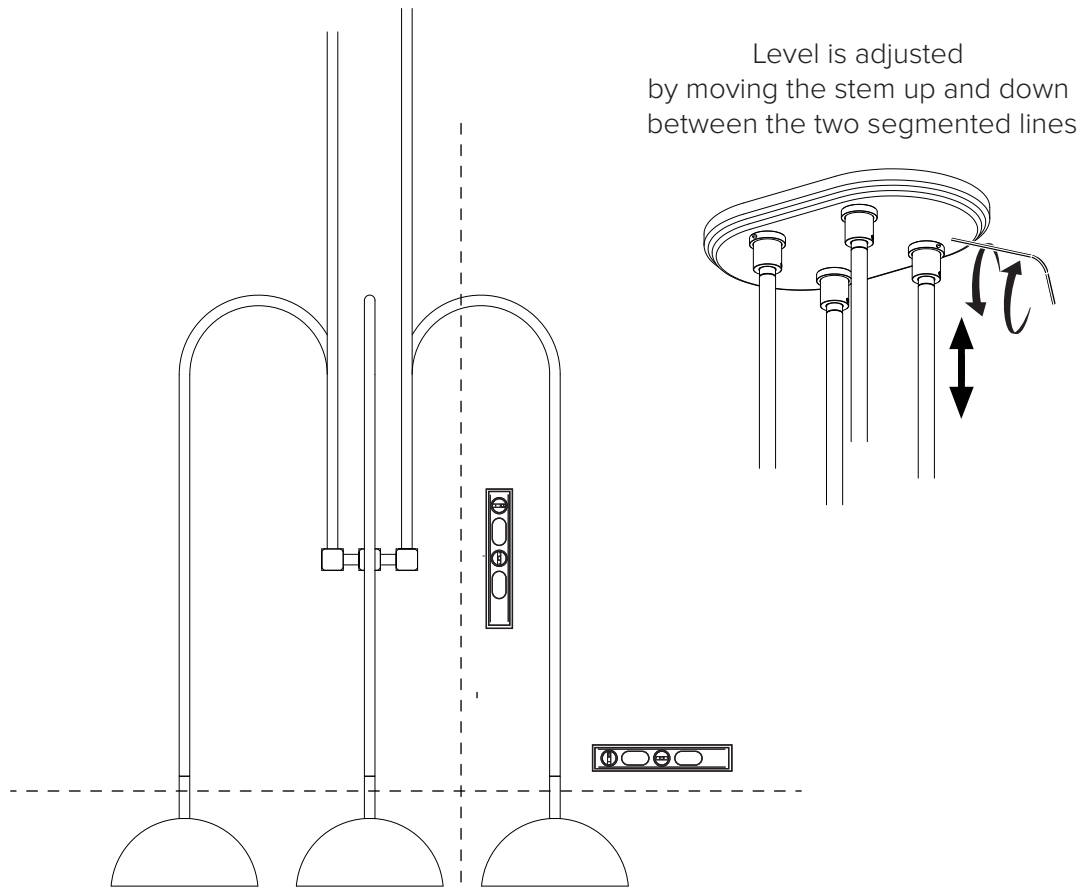


6



Ensure no wires are
clipped or pinched during
this operation.

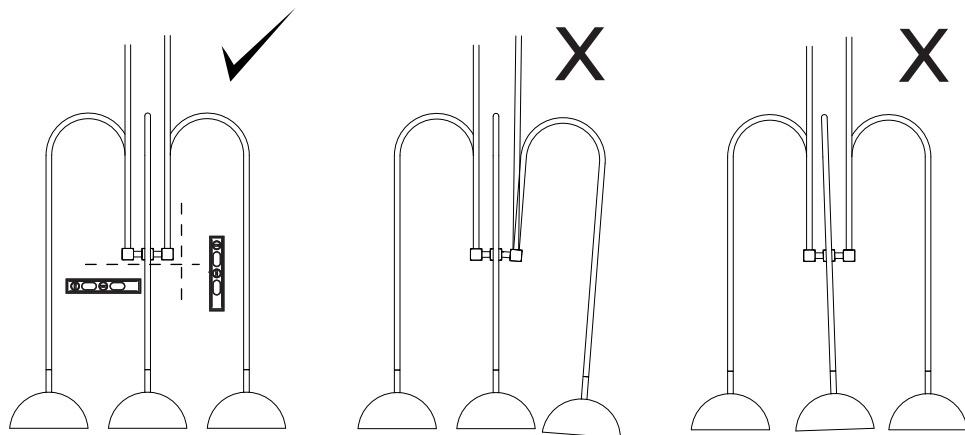
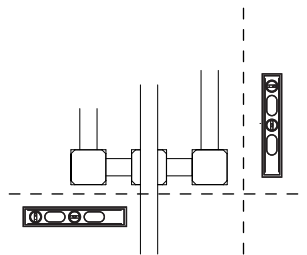
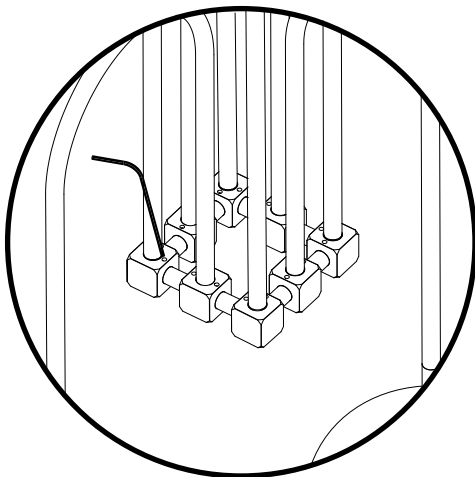
7



8

The brass cubes may have shifted, or become loose in shipping. Make sure they are level in all senses.

If adjustments are needed, loosen set screw, adjust arms, re-tighten set screw.



9

