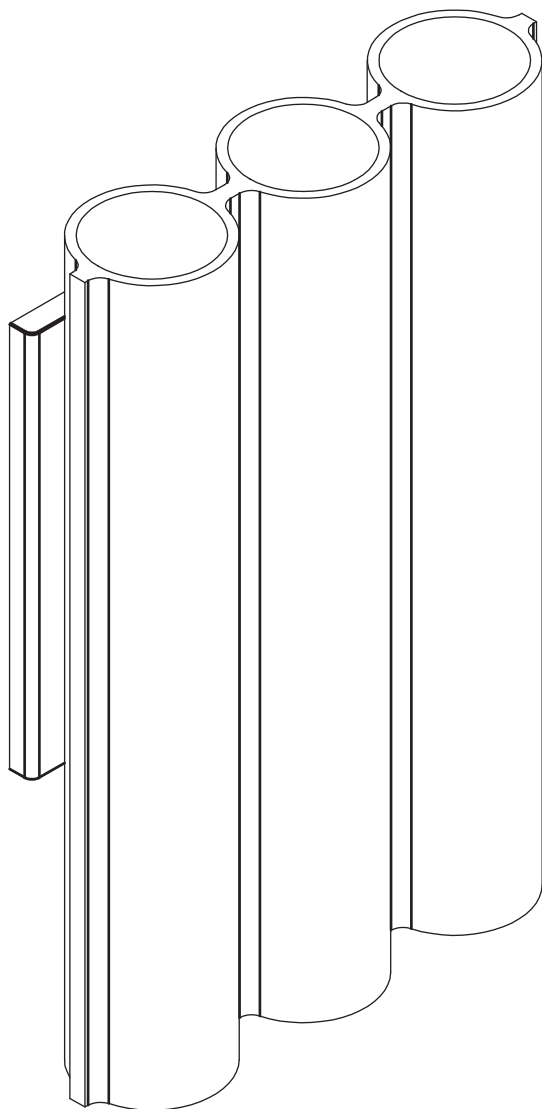

SILO 3 WALL



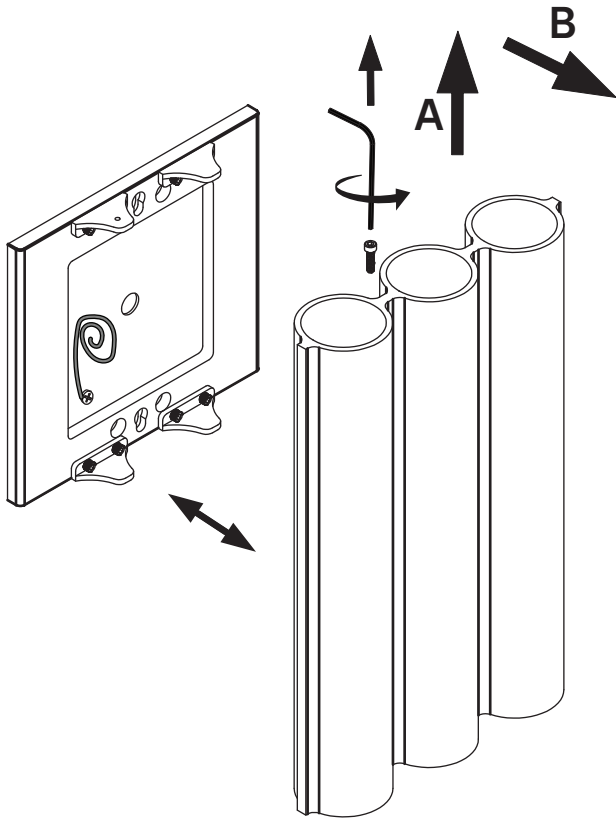
- Please read entire manual before installation
- Wear enclosed gloves when handling lamp
- Handle materials with care. Please consult lamp maintenance sheet on our web site
- Should be used exclusively as a lamp and not as a shelving, display or hanging unit



**NEVER TURN ON POWER SUPPLY
UNTIL CONNECTIONS AND
INSTALLATION ARE COMPLETED.
DOING OTHERWISE COULD BE
HARMFUL TO YOUR LUMINAIRE.**

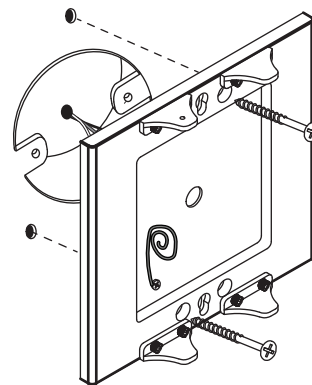
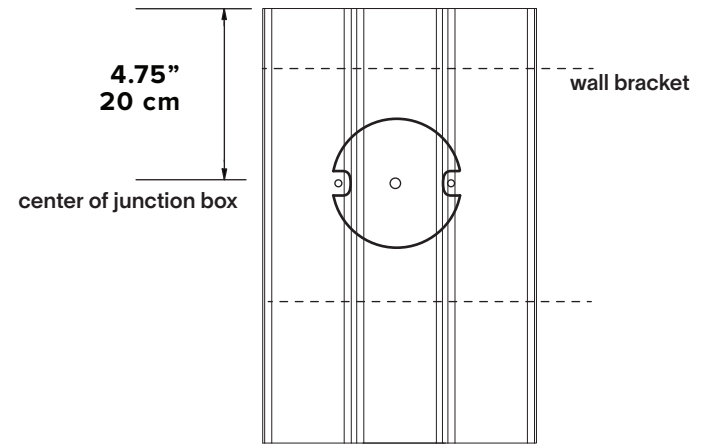
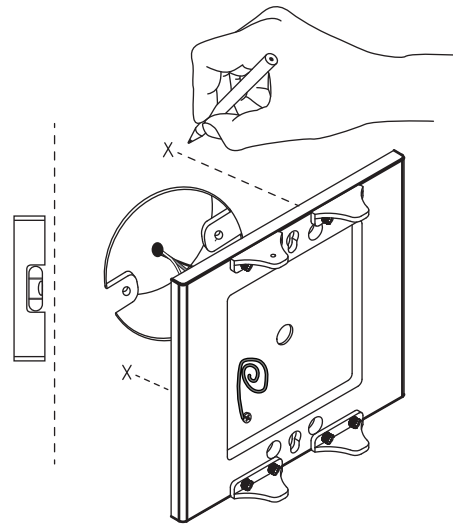
1

Using the provided allen key, unscrew the locking screw then lift and pull luminaire out of the keyholes.



2

Mark two diagonal anchor points, then mount bracket to wall. Make sure the installation is level.



* Use appropriate anchors



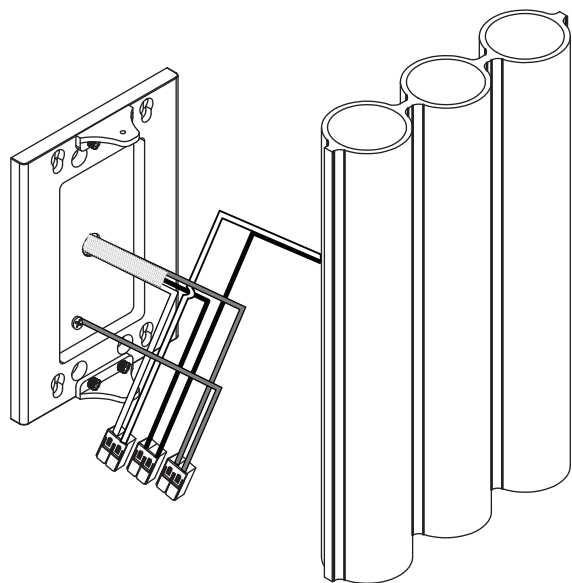
Center of the wall bracket should be aligned with the center of the junction box.

Note that the center of the luminaire is not the same as the center of the wall bracket and junction box.

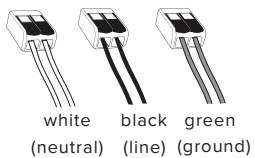
3

Make connections inside luminaire or inside electrical box (if applicable).

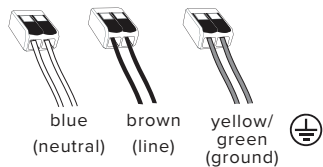
Use provided anti-abrasive heat sleeve.



for 120 V wiring



for 220-240 V wiring

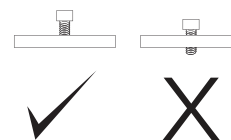
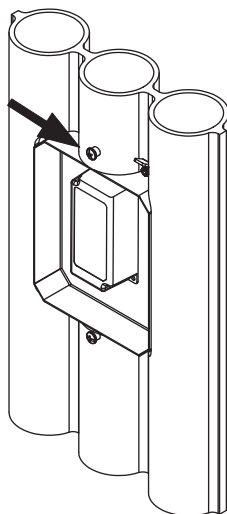


If applicable, use grey and purple wires for 0-10V dimming circuit, or the orange wires for DALI dimming circuit before closing the driver enclosure.

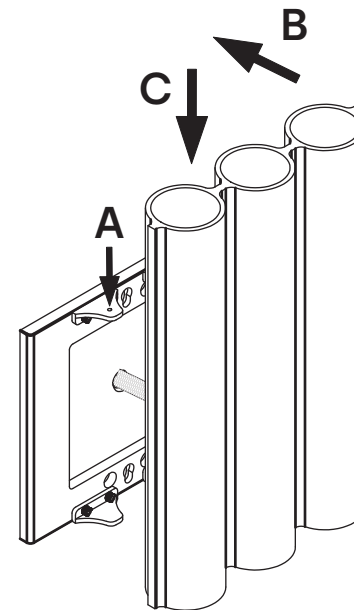
4

Prescrew the screw halfway onto the wall bracket (A).

Fix luminaire to wall bracket using keyholes (B,C).



5



5

