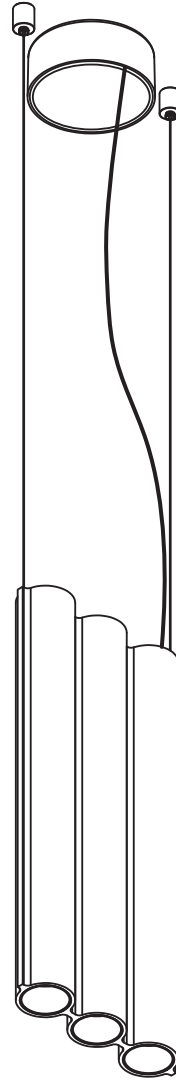
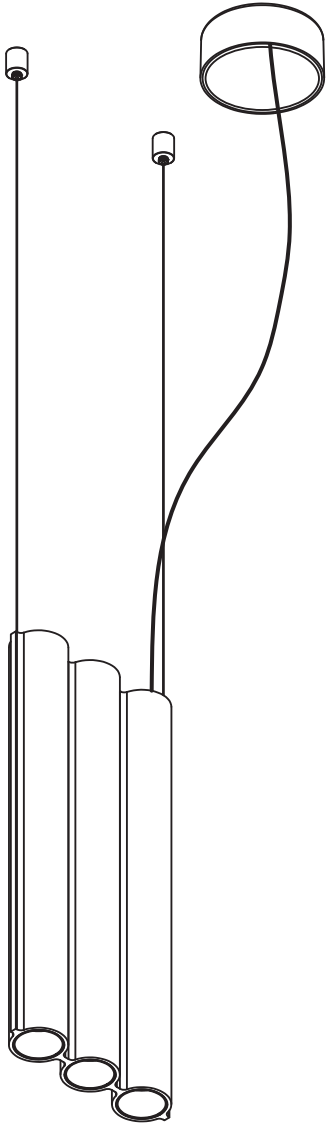

SILO 2 - OFFSET SURFACE MOUNTING

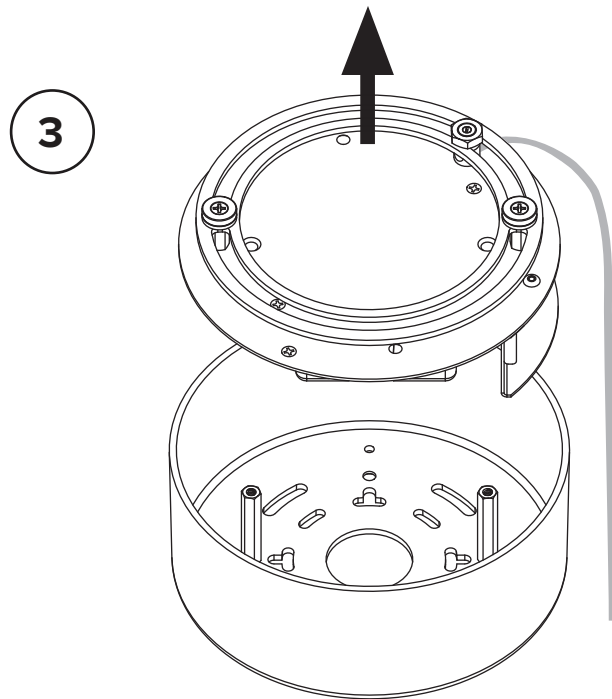
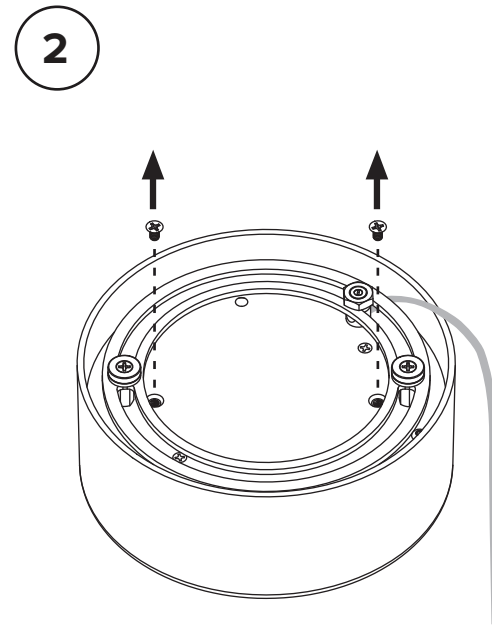
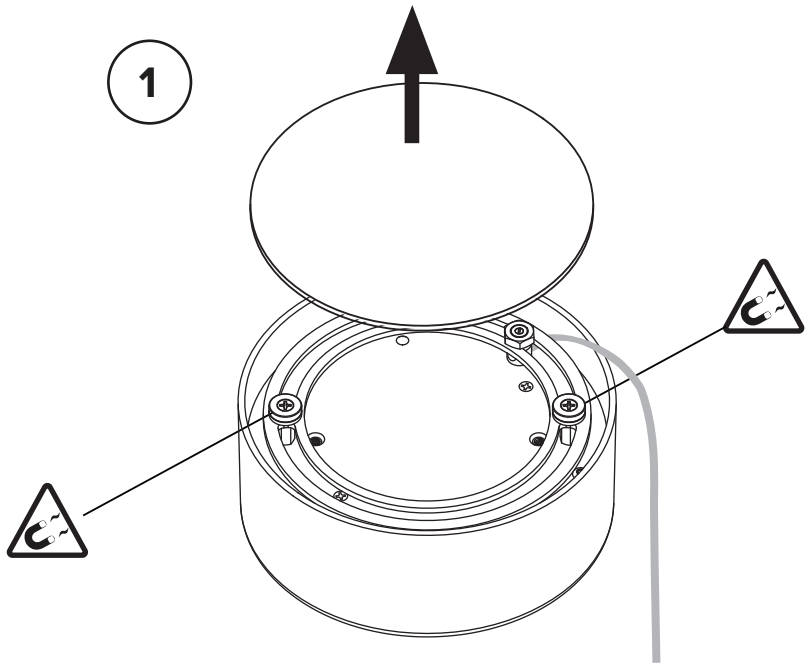
SILO 3 and 4 - SURFACE MOUNTING



- Please read entire manual before beginning installation
- To be installed by an electrician to an electrical box
- Use appropriate screws where necessary
- Wear enclosed gloves when handling lamp
- Handle materials with care. Please consult lamp maintenance sheet on our web site

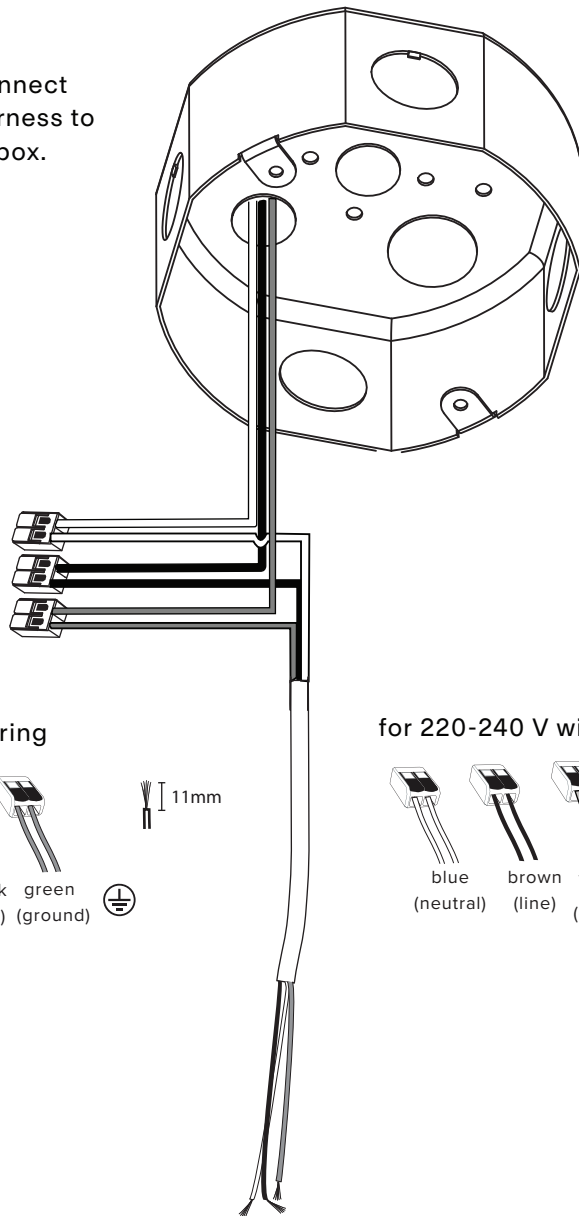


The steps remain the same
for either the Silo 2 offset or
the Silo 3 and Silo 4.

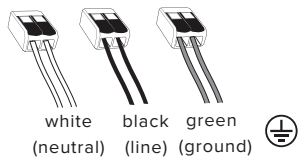


4

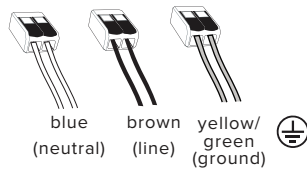
If provided, connect the extension harness to the junction box.



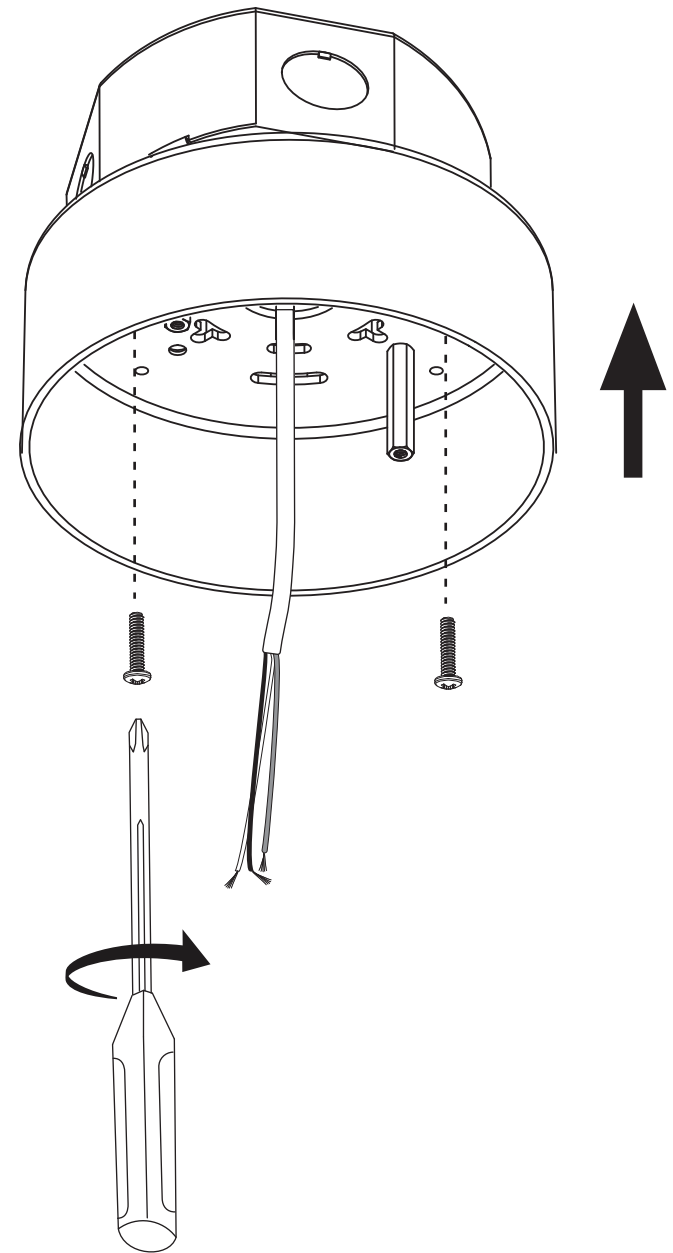
for 120 V wiring



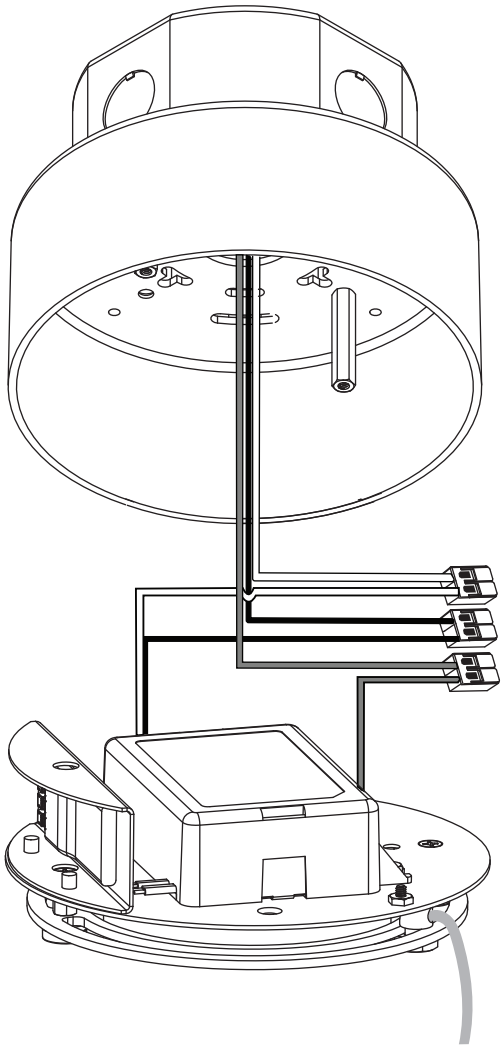
for 220-240 V wiring



5

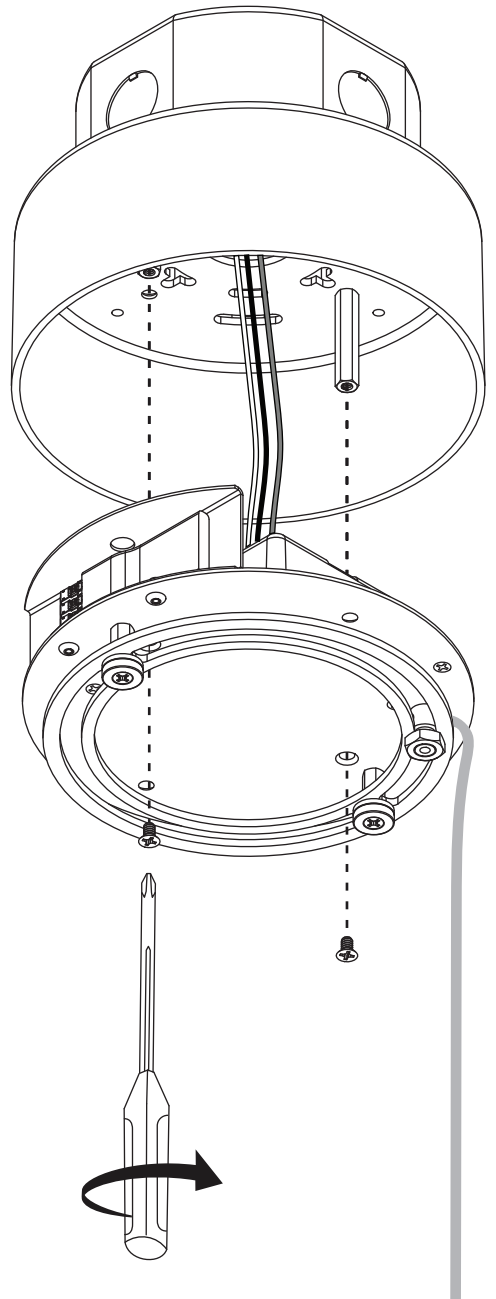


6



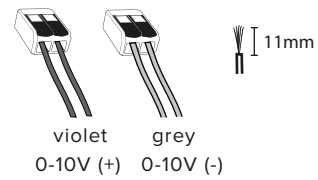
Neutral
Line
Ground ⊕

7

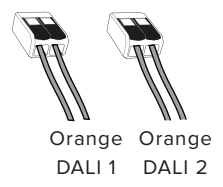


Dimming wiring
(if equipped)
If not using, cap
wires individually.

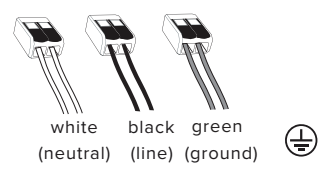
0-10V Dimming (if equipped)



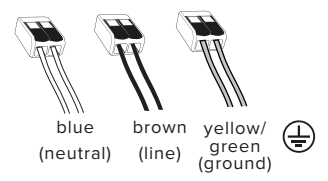
DALI Dimming (If equipped)



for 120 V wiring



for 220-240 V wiring

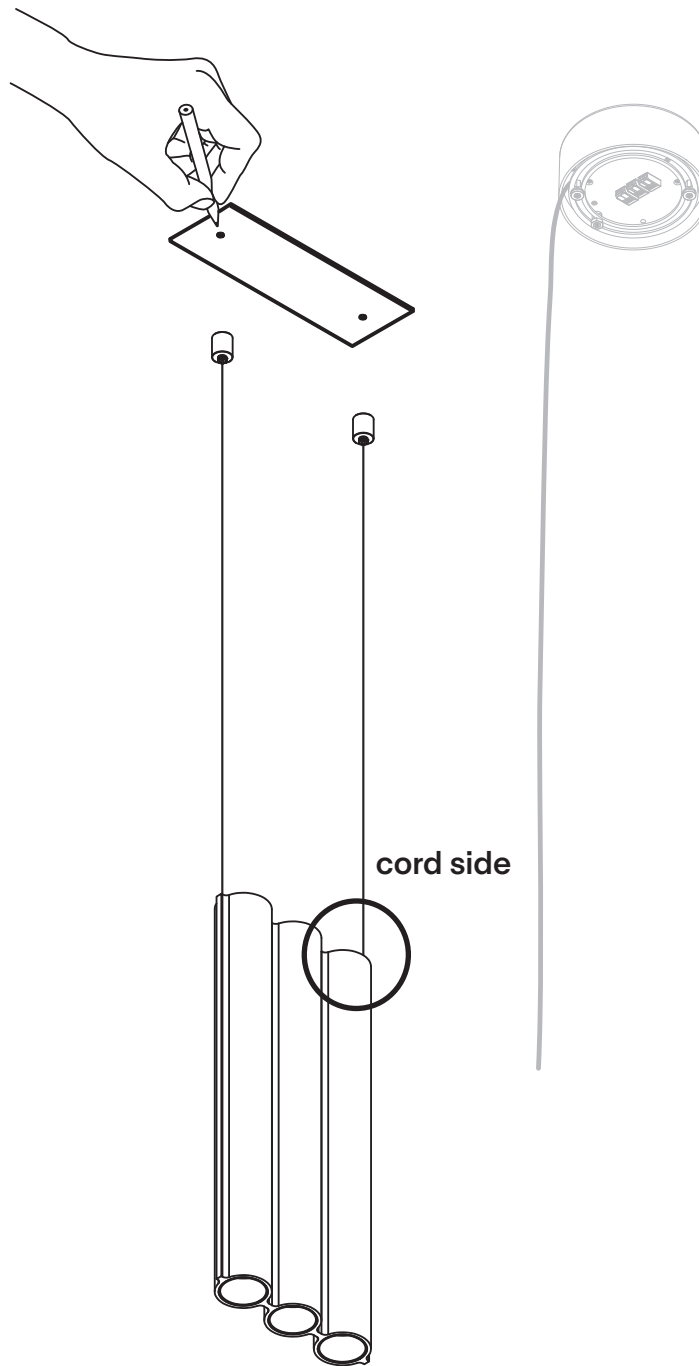


8

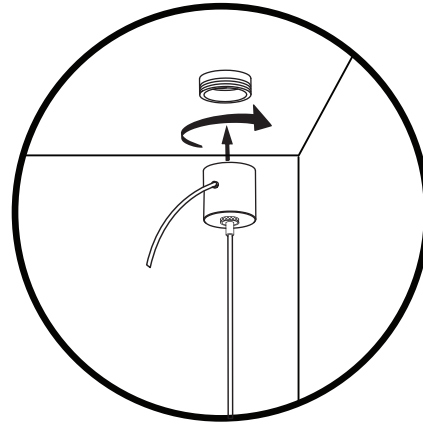
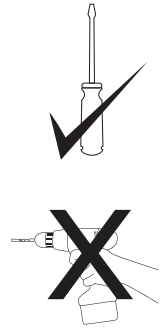
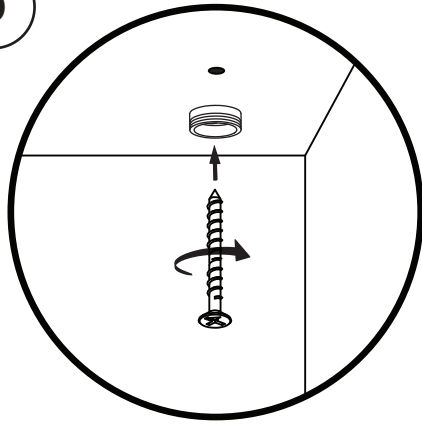
Choose your luminaire's position.

Use the templates provided at the end of the manual to position the luminaire and to mark your anchor locations.

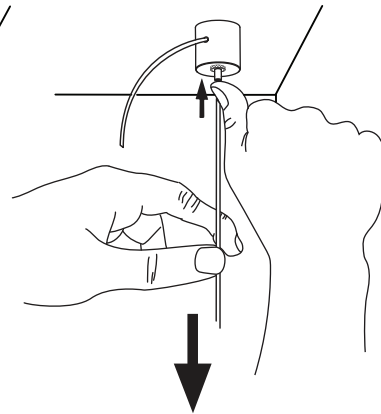
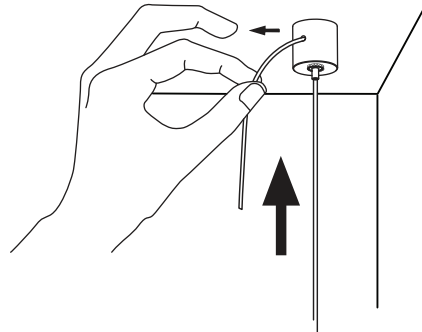
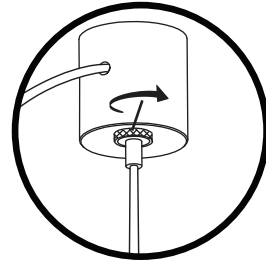
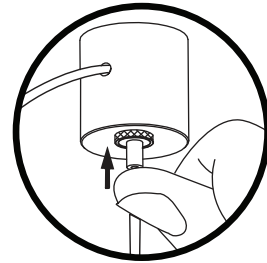
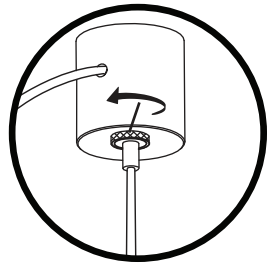
Note that the cord side of the luminaire should be positioned closest to the canopy.



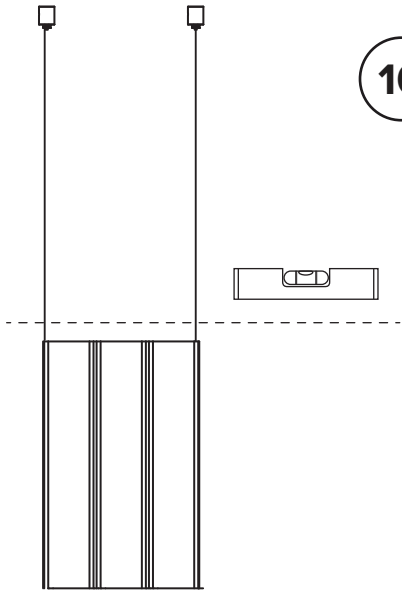
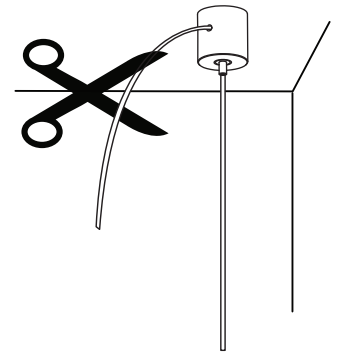
9



10

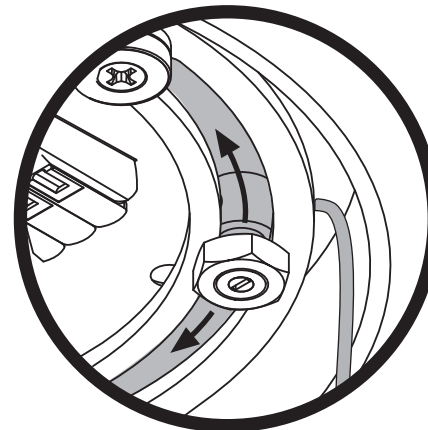
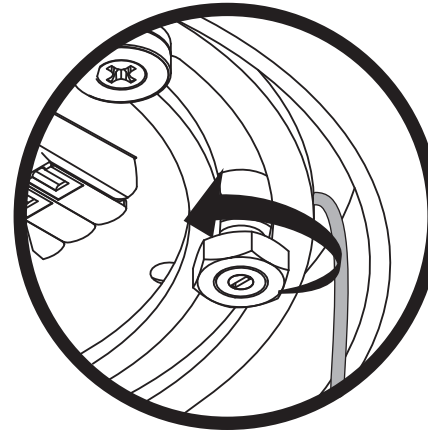
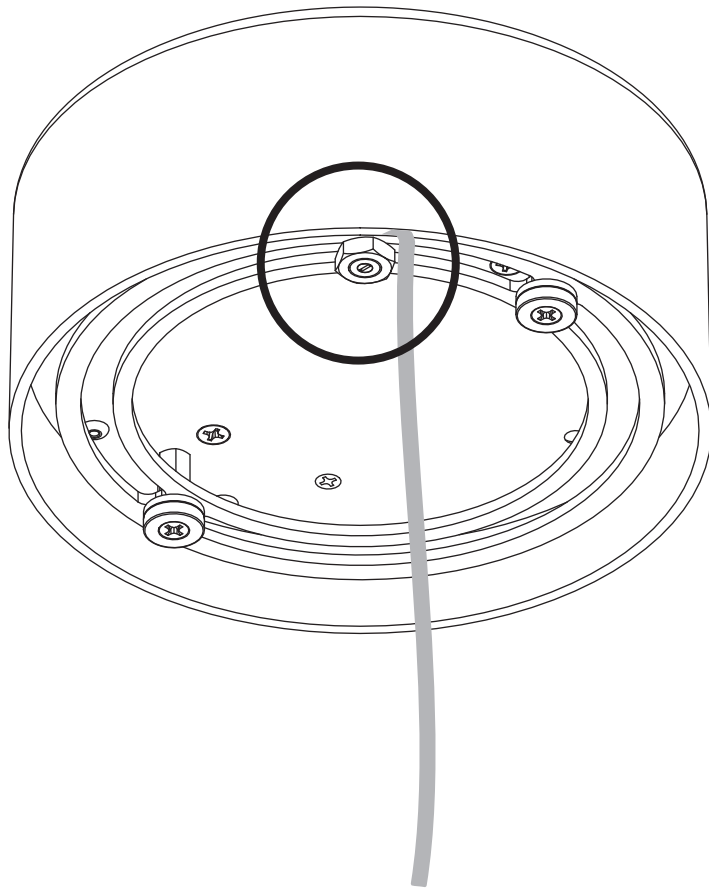


Cut stainless steel cables
ONLY after installation is complete
 and luminaires are level.

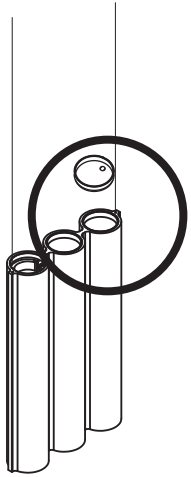


If cord location within the canopy
needs to be repositioned:

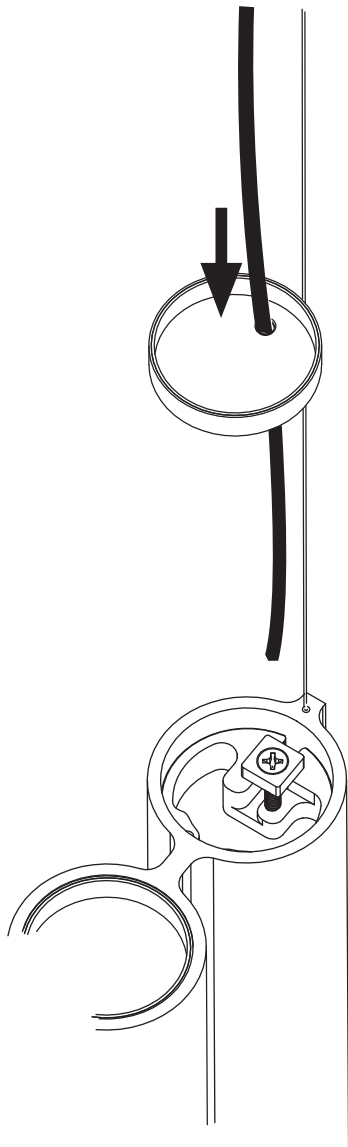
- hold the cable and gently loosen hex nut
- move wire along slot
- hold cable and gently retighten hex nut,
do not put unnecessary pressure.



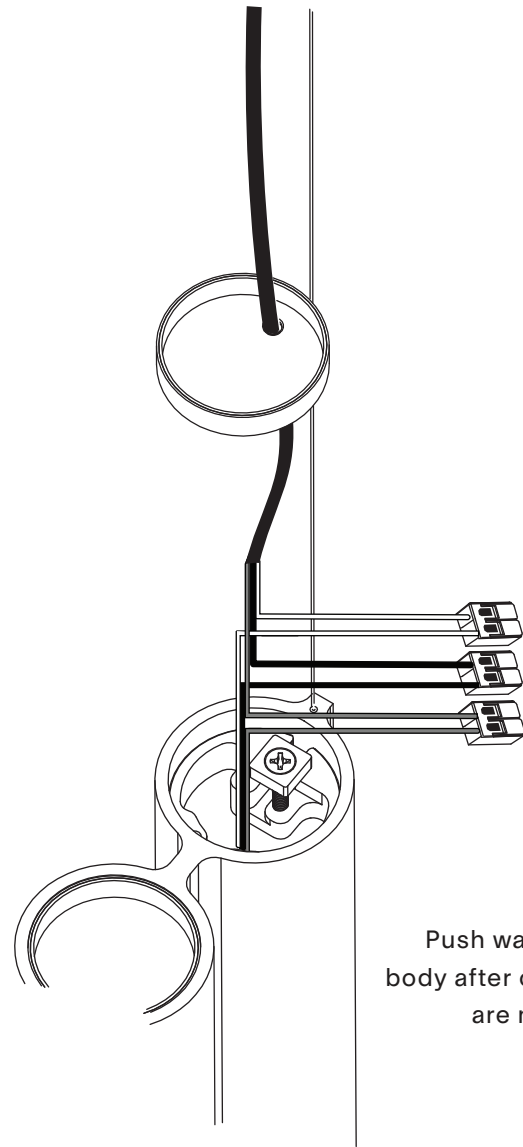
Determine desired cord length.



11



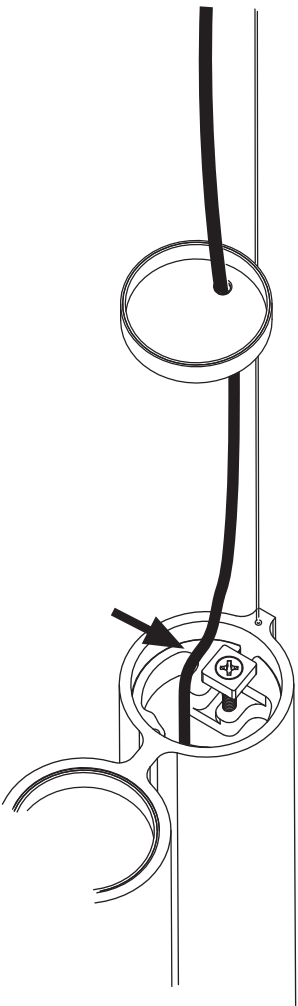
12



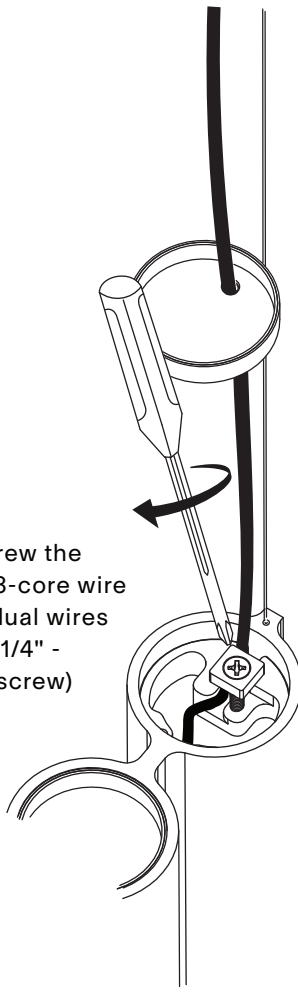
white to white
black to black
red to red

Push wagos into
body after connections
are made

13

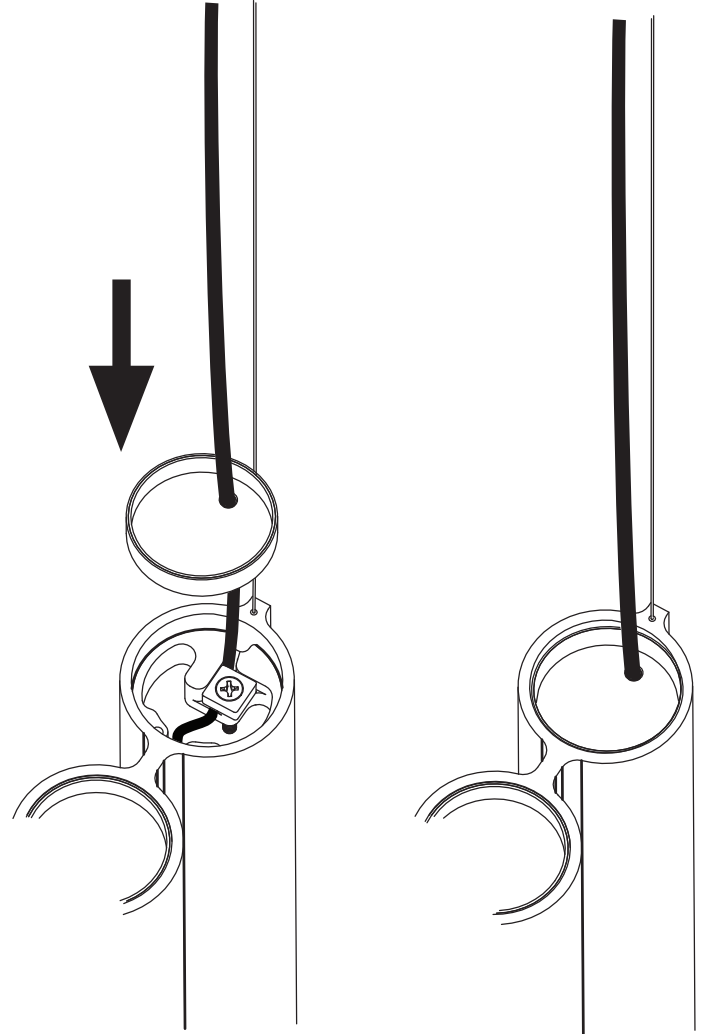


14



Make sure to screw the strain relief on the 3-core wire and not the individual wires (leave at least 1/4" - 7mm after the screw)

15



16

