

Silo 3S



3SA







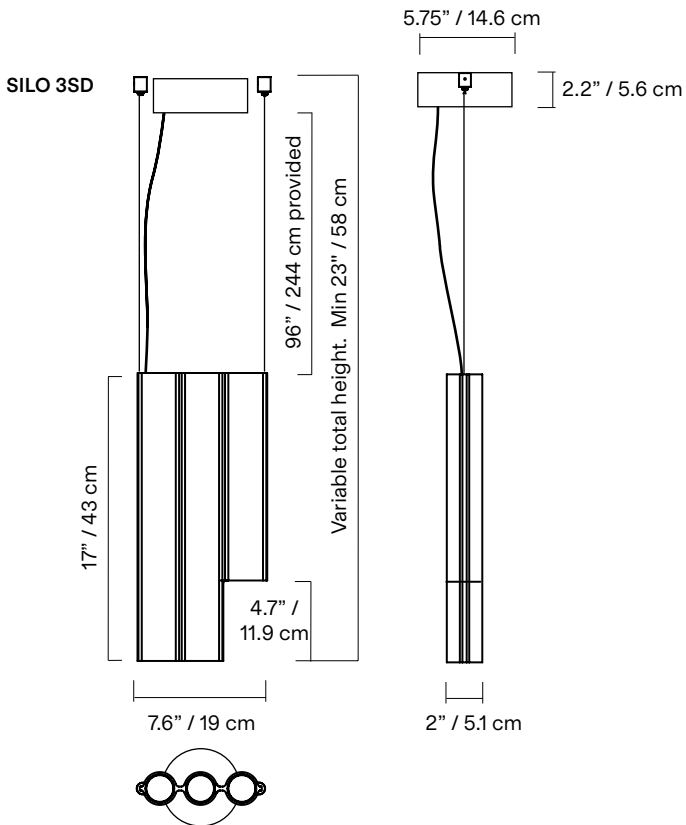
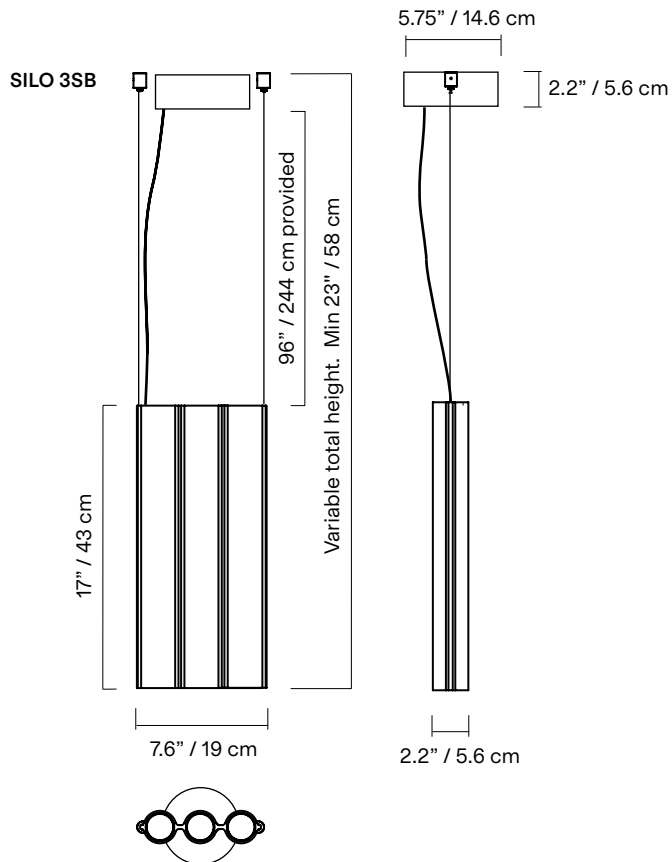
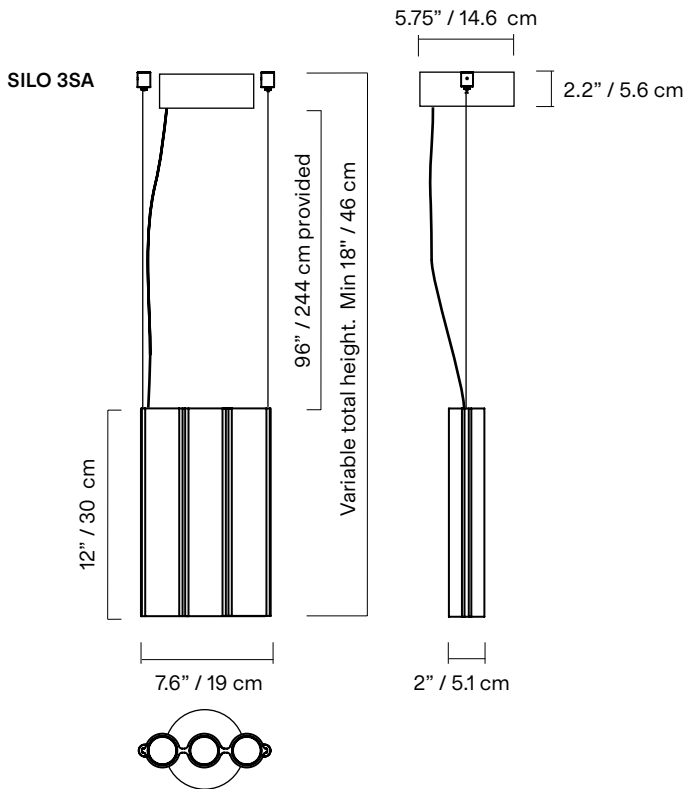
3SB



3SD

The Silo collection inhabits many worlds at once, creating a striking metaphor for duality. Mysterious yet inviting, the true magic lies in how its rhythmic curves shape light and space around it. Made using custom aluminium extrusions, the modular uplight-downlight creates a theatrical yet sleek composition.

| | |
|------------------------------|--|
| TYPE | Suspension |
| CONSTRUCTION | Powder coated, mirror polished or tumbled aluminum body Powder coated canopy Polycarbonate lens Polyurethane cord |
| SPECIFICATIONS | Source: LED array, integrated Power consumption: downlight only- 12.7W downlight and uplight- 14.8W Colour temperature: 3000K 2700K dim to warm 3000K to 2200K dim to warm 2700K to 2200K Lumen output: 3000K downlight - 354lm 3000K downlight and uplight - 575lm 2700K downlight - 338lm 2700K downlight and uplight - 548lm Colour rendering index: ≥90 CRI Colour consistency: 3 SDCM Expected lifetime: ≥50 000h |
| CONTROL | 120/277V on/off, 0-10V, or phase dimming (120V only) 220-240V: On/Off, Phase Dimming, DALI |
| CORD LENGTH | 120" / 304 cm |
| STAINLESS STEEL CABLE | 96" / 244 cm |
| WEIGHT | 3SA- 4.13lbs / 1.9Kg 3SB- 5.56lbs / 2.52Kg 3SD- 5.1lbs / 2.3Kg |
| CERTIFICATIONS |     IP20 |
| WARRANTY | 2 years |



NOTES

- The canopy can be offset from composition.
- Luminaire total height (ceiling to lowest point of luminaire).
96" / 244 cm aircraft cable provided.
Silo 3SA Min - 18" / 46 cm
Max - 108" / 274 cm
Silo 3SB Min - 23" / 58 cm
Max - 113" / 287 cm
Silo 3SD Min - 23" / 58 cm
Max - 113" / 287 cm

*For any height outside these parameters, contact Lambert & Fils.

- Luminaire height is adjustable on site.
- Luminaire can be installed on a slanted ceiling - 45° or less, contact Lambert & Fils.
- Dimensions are approximate and may vary slightly.

FINISH



BK
Textured black



WH
Textured white



MR
Mirror polished



TA
Tumbled aluminum



BG
Textured beige



DP
Wrinkled dusty pink



TC
Textured terracotta



AU
Textured aubergine



OB
Glossy oxblood



MB
Textured midnight blue

CORD



BK
Black



WH
White



CU
Cumin

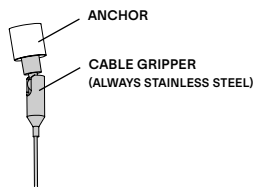
MOUNTING



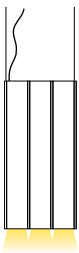
SM
Surface mounted

ANCHORS

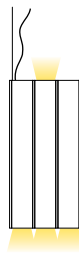
Swivel option available for slanted ceilings (45 ° max angle)



CONFIGURATION



D- DOWNLIGHT ONLY
Downlight in each cylinder

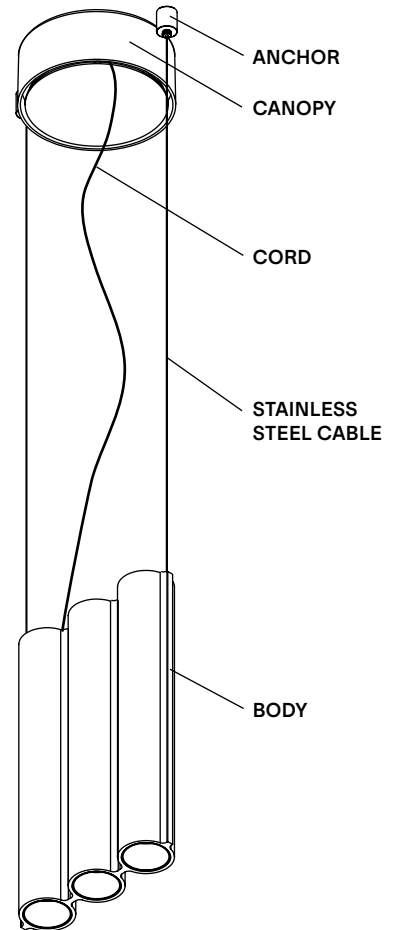


C- DOWNLIGHT WITH UPLIGHT
Downlight in each cylinder + uplight in the 2nd cylinder from the cord

NOTES

- Must be installed by an electrician
- Ceiling anchors not meant for slanted ceilings (available upon request)
- LED may only be changed by Lambert & Fils or other authorized personnel
- Not protected against liquids (refer to IP20)
- Additional charges for modifications or for special orders
- Please refer to maintenance sheet on our website for cleaning instructions

LAMP ANATOMY



| | | Example | Fill with your selection |
|---------------------------------|--|----------------------------|--------------------------|
| COLLECTION | SIL Silo | SIL | SIL |
| MODEL | 3S | 3S | 3S |
| SHAPE | A B D | A | |
| CONFIGURATION | D Downlight only C Downlight with uplight | D | |
| BODY | BK Textured black WH Textured white MR Mirror polished aluminum TA Tumbled aluminum BG Textured beige DP Wrinkled dusty pink TC Textured terracotta AU Textured aubergine OB Glossy oxblood MB Textured midnight blue CC Custom colour* | BK | |
| CORD | BK Black WH White CU Cumin | BK | |
| CANOPY AND ANCHORS | BK Textured black WH Textured white BG Textured beige DP Wrinkled dusty pink TC Textured terracotta AU Textured aubergine OB Glossy oxblood MB Textured midnight blue CC Custom colour* | BK | |
| MOUNTING | SM Surface mounted | SM | |
| COLOUR TEMPERATURE (CCT) | F22 Fixed 2200K F27 Fixed 2700K F30 Fixed 3000K D27 Dim to warm 2700K-2200K D30 Dim to warm 3000K-2200K CCT Other CCT available upon request** | F22 | |
| DIMMING | ZT 0-10V (120VAC only) PH Phase dimming DA DALI (220-240VAC only) | ZT | |
| FULL SKU | | SIL3SADBKBKBSMF22ZT | |

NOTES

*Custom colour available upon request. Material library on website.

**Specific CCT selection only available in 100k increments, from 2200K to 4000K inclusively and not available with Dim-to-Warm feature.