

Silo 3S



3SA







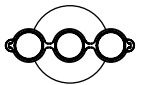
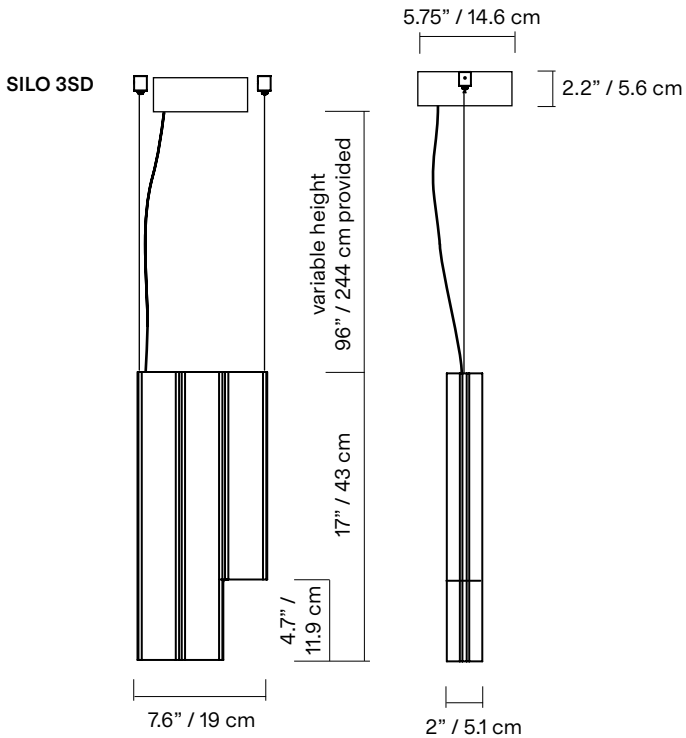
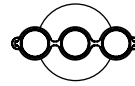
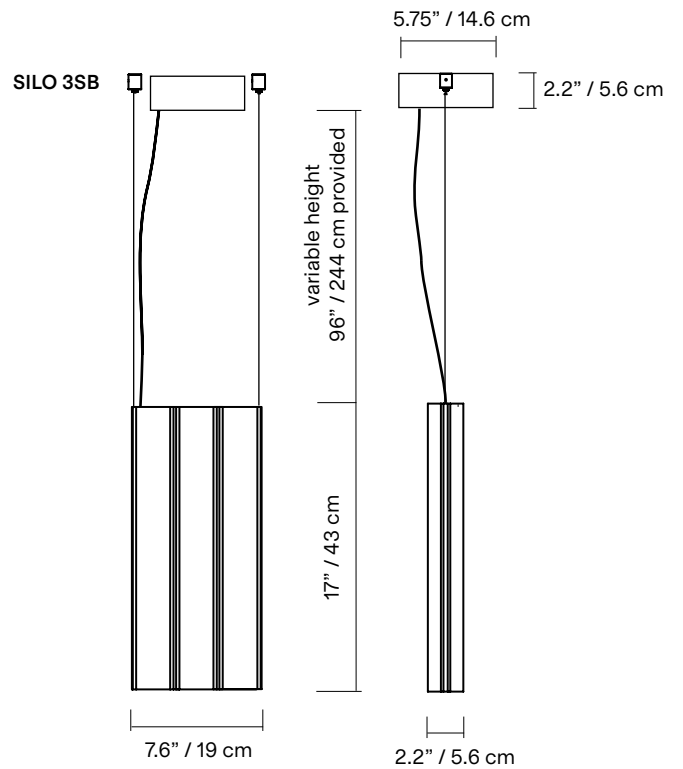
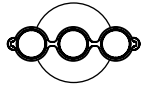
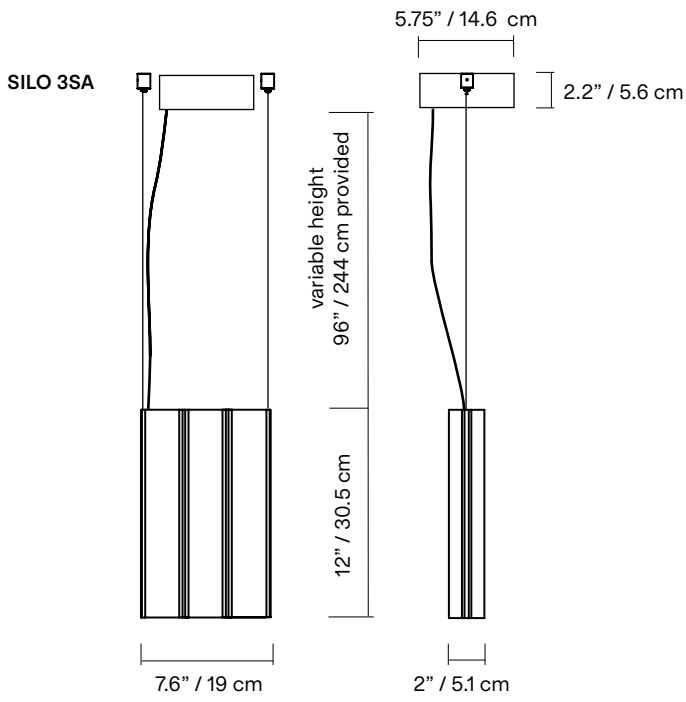
3SB



3SD

The Silo collection inhabits many worlds at once, creating a striking metaphor for duality. Mysterious yet inviting, the true magic lies in how its rhythmic curves shape light and space around it. Made using custom aluminium extrusions, the modular uplight-downlight creates a theatrical yet sleek composition.

| | |
|------------------------------|--|
| TYPE | Suspension |
| CONSTRUCTION | Powder coated, mirror polished or tumbled aluminum body Powder coated canopy Polycarbonate lens Polyurethane cord |
| SPECIFICATIONS | Source: LED array, integrated Power consumption: downlight only- 12.7W downlight and uplight- 14.8W Colour temperature: 3000K 2700K dim to warm 3000K to 2200K dim to warm 2700K to 2200K Lumen output: 3000K downlight - 354lm 3000K downlight and uplight - 575lm 2700K downlight - 338lm 2700K downlight and uplight - 548lm Colour rendering index: ≥90 CRI Colour consistency: 3 SDCM Expected lifetime: ≥50 000h |
| CONTROL | 120/277V on/off, 0-10V, or phase dimming (120V only) 220-240V: On/Off, Phase Dimming, DALI |
| CORD LENGTH | 120" / 304 cm |
| STAINLESS STEEL CABLE | 96" / 244 cm |
| WEIGHT | 3SA- 4.13lbs / 1.9Kg 3SB- 5.56lbs / 2.52Kg 3SD- 5.1lbs / 2.3Kg |
| CERTIFICATIONS |     IP20 |
| WARRANTY | 2 years |



*dimensions are approximate and may vary slightly

FINISH



BK
Textured
black



WH
Textured
white



MR
Mirror
polished



TA
Tumbled
aluminum



BG
Textured
beige



DP
Wrinkled
dusty pink



TC
Textured
terracotta



AU
Textured
aubergine



OB
Glossy
oxblood



MB
Textured
midnight blue

CORD



BK
Black



WH
White



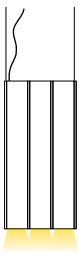
CU
Cumin

MOUNTING



SM
Surface mounted

CONFIGURATION



D- DOWNLIGHT ONLY
Downlight in each cylinder

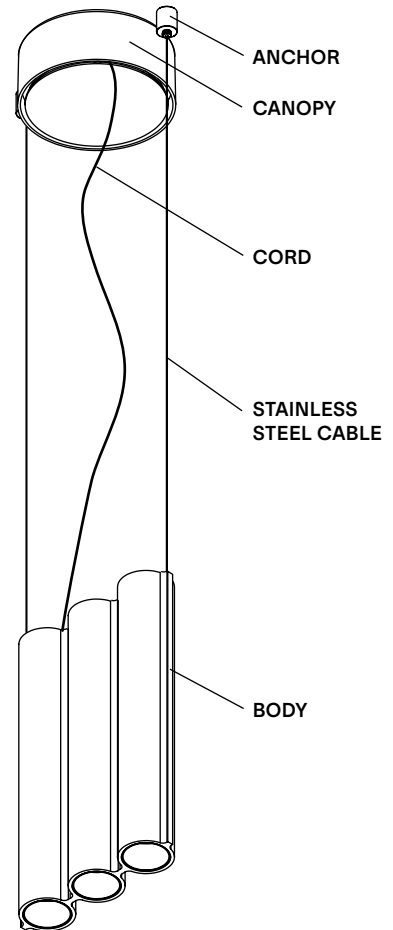


C- DOWNLIGHT WITH UPLIGHT
Downlight in each cylinder +
uplight in the 2nd cylinder
from the cord

NOTES

- Must be installed by an electrician
- Ceiling anchors not meant for slanted ceilings (available upon request)
- LED may only be changed by Lambert & Fils or other authorized personnel
- Not protected against liquids (refer to IP20)
- Additional charges for modifications or for special orders
- Please refer to maintenance sheet on our website for cleaning instructions

LAMP ANATOMY



| | | Example | Fill with your selection |
|---------------------------------|--|---------------------------|--------------------------|
| COLLECTION | SIL Silo | SIL | SIL |
| MODEL | 3S | 3S | 3S |
| SHAPE | A B D | A | |
| CONFIGURATION | D Downlight only C Downlight with uplight | D | |
| BODY | BK Textured black WH Textured white MR Mirror polished aluminum TA Tumbled aluminum BG Textured beige DP Wrinkled dusty pink TC Textured terracotta AU Textured aubergine OB Glossy oxblood MB Textured midnight blue CC Custom colour* | BK | |
| CORD | BK Black WH White CU Cumin | BK | |
| CANOPY AND ANCHORS | BK Textured black WH Textured white BG Textured beige DP Wrinkled dusty pink TC Textured terracotta AU Textured aubergine OB Glossy oxblood MB Textured midnight blue CC Custom colour* | BK | |
| MOUNTING | SM Surface mounted | SM | |
| COLOUR TEMPERATURE (CCT) | WL Warm light (2700K) NL Neutral light (3000K) D27 Dim to warm (2700K-2200K) D30 Dim to warm (3000K-2200K) CCT Other CCT available upon request** | WL | |
| DIMMING | ZT 0-10V (120VAC only) PH Phase dimming DA DALI (220-240VAC only) | ZT | |
| FULL SKU | | SIL3SADBKBKBSMWLZT | |
| | | NOTES | |

*Custom colour available upon request. Material library on website.

**Specific CCT selection only available in 100k increments, from 2200K to 4000K inclusively and not available with Dim-to-Warm feature.