

# Silo 2W







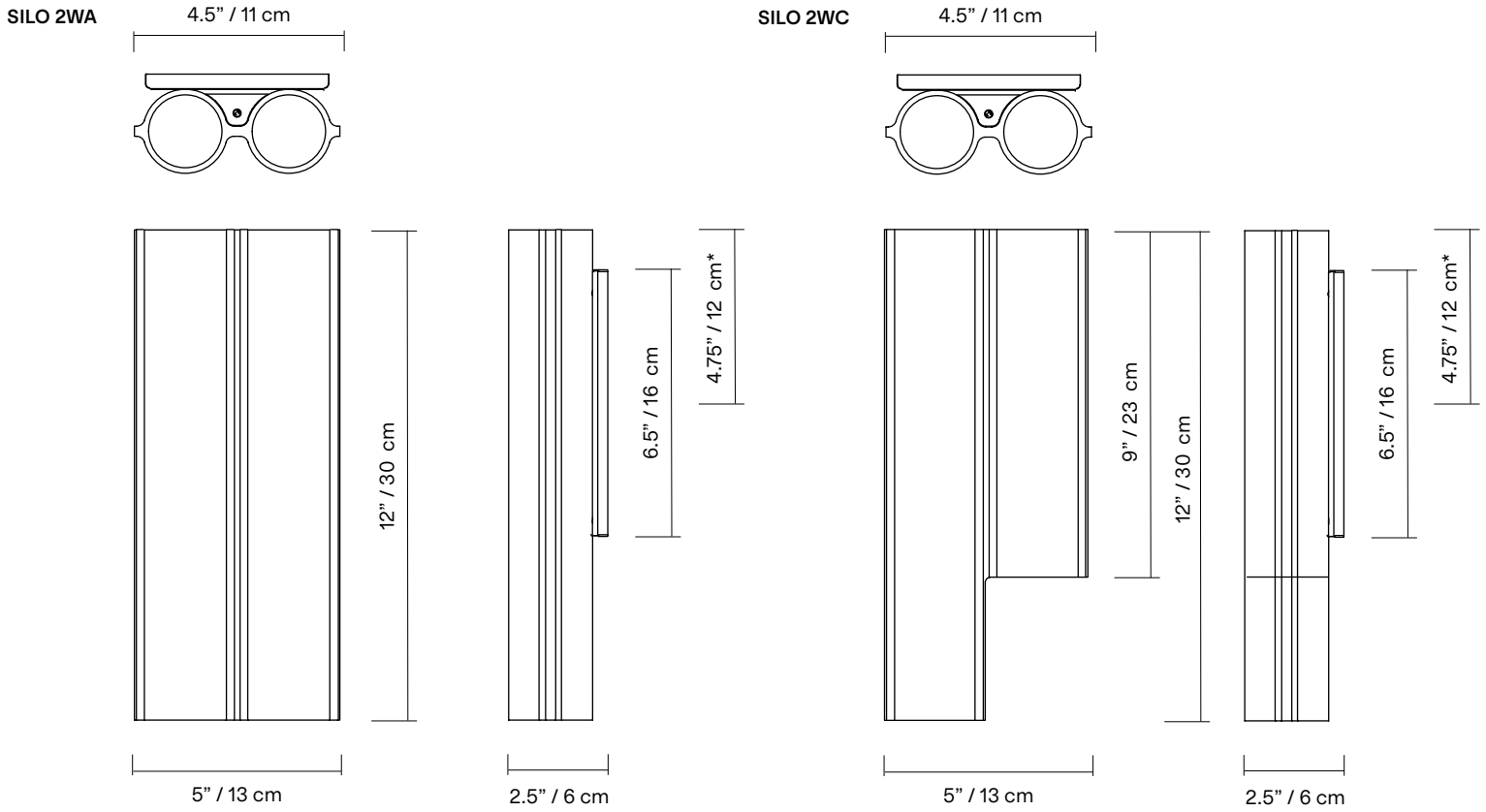
2WA



2WC

The Silo collection inhabits many worlds at once, creating a striking metaphor for duality. Mysterious yet inviting, the true magic lies in how its rhythmic curves shape light and space around it. Made using custom aluminium extrusions, the modular uplight-downlight creates a theatrical yet sleek composition.

<b>TYPE</b>	Wall
<b>CONSTRUCTION</b>	Powder coated, mirror polished or tumbled aluminum body Polycarbonate lens
<b>SPECIFICATIONS</b>	Source: LED array, integrated Power consumption: downlight only- 7.6W downlight and uplight- 14.8W  Colour temperature: 3000K 2700K dim to warm 3000K to 2200K dim to warm 2700K to 2200K  Lumen output: 3000K downlight - 236lm 3000K downlight and uplight - 678lm 2700K downlight - 225lm 2700K downlight and uplight - 647lm  Colour rendering index: ≥90 CRI Colour consistency: 3 SDCM Expected lifetime: ≥50 000h
<b>CONTROL</b>	120/277V on/off, 0-10V, or phase dimming (120V only) 220-240V: On/Off, Phase Dimming
<b>WEIGHT</b>	2WA- 4.18lbs / 1.9Kg 2WC- 3.82 lbs / 1.7Kg
<b>CERTIFICATIONS</b>	    IP20
<b>WARRANTY</b>	2 years



\* For positioning of the junction box, note that the center of the luminaire is not the same as the center of the wall plate.

\*dimensions are approximate and may vary slightly

## FINISH



**BK**  
Textured  
black



**WH**  
Textured  
white



**MR**  
Mirror  
polished



**TA**  
Tumbled  
aluminum



**BG**  
Textured  
beige



**DP**  
Wrinkled  
dusty pink



**TC**  
Textured  
terracotta



**AU**  
Textured  
aubergine

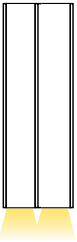


**OB**  
Glossy  
oxblood

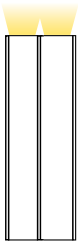


**MB**  
Textured  
midnight blue

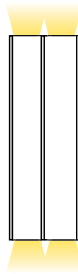
## CONFIGURATION



**D- DOWNLIGHT ONLY**



**U- UPLIGHT ONLY**

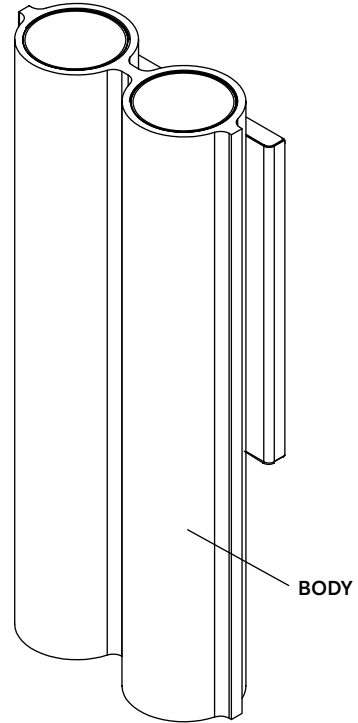


**C- DOWNLIGHT  
WITH UPLIGHT**

## NOTES

- Must be installed by an electrician
- LED may only be changed by Lambert & Fils or other authorized personnel
- Not protected against liquids (refer to IP20)
- Additional charges for modifications or for special orders
- Please refer to maintenance sheet on our website for cleaning instructions

## LAMP ANATOMY



		Example	Fill with your selection
<b>COLLECTION</b>	<b>SIL</b> Silo	<b>SIL</b>	<b>SIL</b>
<b>MODEL</b>	<b>2W</b>	<b>2W</b>	<b>2W</b>
<b>SHAPE</b>	<b>A</b> <b>C</b>	<b>A</b>	
<b>CONFIGURATION</b>	<b>D</b> Downlight only <b>U</b> Uplight only <b>C</b> Downlight with uplight	<b>D</b>	
<b>BODY</b>	<b>BK</b> Textured black <b>WH</b> Textured white <b>MR</b> Mirror polished aluminum <b>TA</b> Tumbled aluminum <b>BG</b> Textured beige <b>DP</b> Wrinkled dusty pink <b>TC</b> Textured terracotta <b>AU</b> Textured aubergine <b>OB</b> Glossy oxblood <b>MB</b> Textured midnight blue <b>CC</b> Custom colour*	<b>BK</b>	
<b>COLOUR TEMPERATURE (CCT)</b>	<b>F22</b> Fixed 2200K <b>F27</b> Fixed 2700K <b>F30</b> Fixed 3000K <b>D27</b> Dim to warm 2700K-2200K <b>D30</b> Dim to warm 3000K-2200K <b>CCT</b> Other CCT available upon request**	<b>F22</b>	
<b>DIMMING</b>	<b>ZT</b> 0-10V (120VAC only) <b>PH</b> Phase dimming	<b>ZT</b>	
<b>FULL SKU</b>		<b>SIL2WADBKF22ZT</b>	
		<b>NOTES</b>	

\*Custom colour available upon request. Material library on website.

\*\*Specific CCT selection only available in 100k increments, from 2200K to 4000K inclusively and not available with Dim-to-Warm feature.