

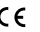




Silo Atelier 01



The Silo collection inhabits many worlds at once, creating a striking metaphor for duality. Mysterious yet inviting, the true magic lies in how its rhythmic curves shape light and space around it. Made using custom aluminum extrusions, the modular uplight-downlight creates a theatrical yet sleek composition

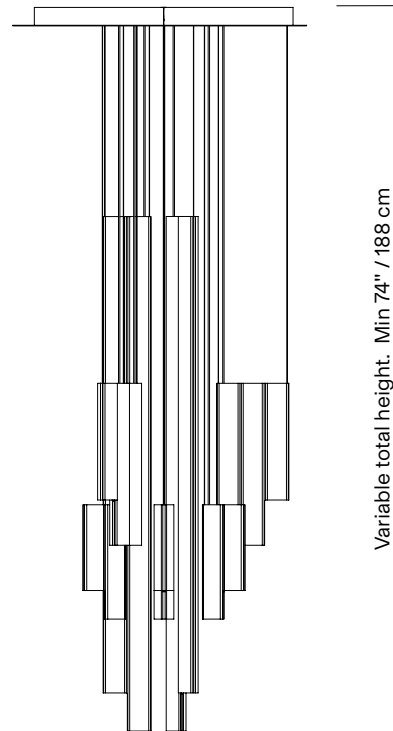
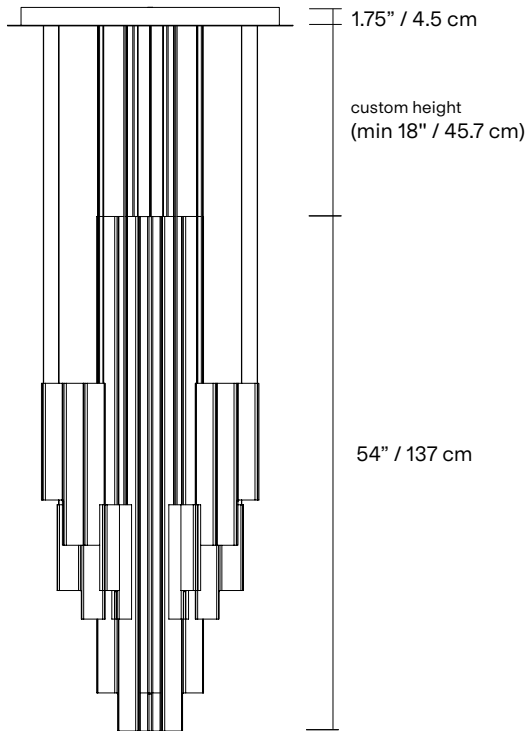
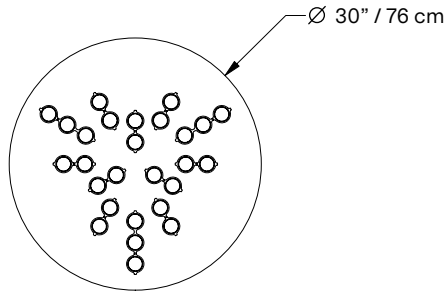
TYPE	Suspension
CONSTRUCTION	Powder coated or mirror polished aluminum body Powder coated canopy Polycarbonate lens Polyurethane cord
SPECIFICATIONS	Source: LED array, integrated Power consumption: 50.8W, 44.5W (phase dimming CE) Colour temperature: 3000K 2700K dim to warm 3000K to 2200K dim to warm 2700K to 2200K Lumen output: 3000K -1621 lm downlight -1426 lm (phase dimming CE) -355 lm uplight -302 lm (phase dimming CE) 2700K -1545 lm downlight -1360 lm (phase dimming CE) -287 lm uplight -253 lm (phase dimming CE) Colour rendering index: ≥90 CRI Colour consistency: 3 SDCM Expected lifetime: ≥50 000h
CONTROL	120/277V on/off, 0-10V, or phase dimming (120V only) 220-240V: On/Off, Phase Dimming, DALI
CORD LENGTH	Custom length
STAINLESS STEEL CABLE	Custom length
WEIGHT	90 lb / 41 kg
CERTIFICATIONS	     IP20
WARRANTY	2 years

Suggested installation

NOTES

- Luminaire total height (ceiling to lowest point of luminaire)
Min - 74" / 188 cm
Max - Variable, please specify
- Luminaire height is not adjustable on site
- Available for slanted ceiling - 45° or less (see offset mounting option on next page)
- Dimensions are approximate and may vary slightly

SURFACE MOUNTED

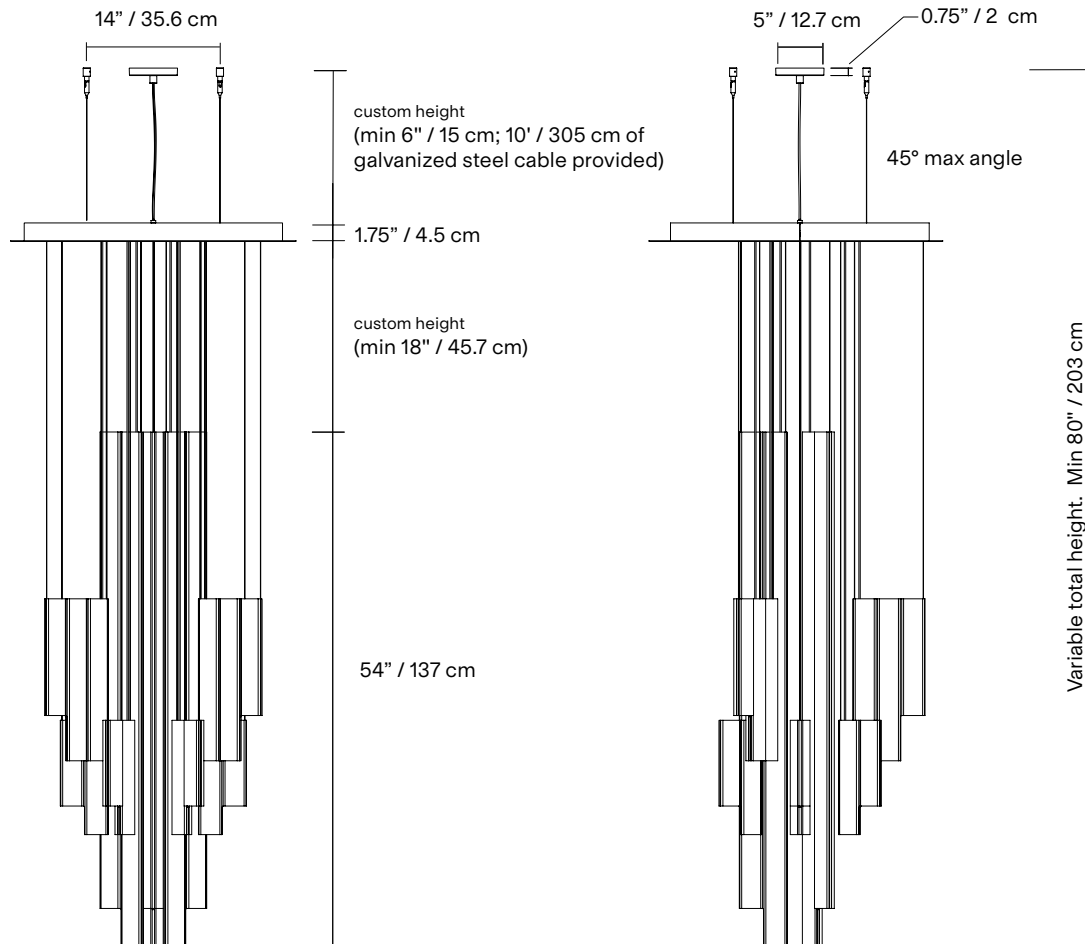
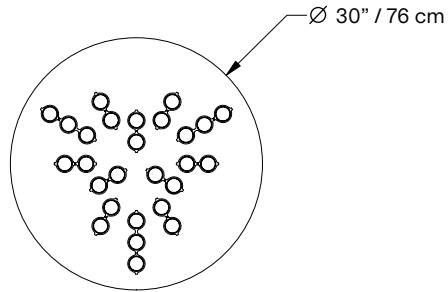


Suggested installation

NOTES

- Luminaire total height (ceiling to lowest point of luminaire)
Min - 80" / 203 cm
Max - Variable, please specify
- Luminaire height is not adjustable on site
- Installation possible on slanted ceiling - 45° or less
- Dimensions are approximate and may vary slightly

OFFSET MOUNTED (for slanted ceiling or offset canopy)



FINISH



OB
Glossy
oxblood



MR
Mirror
polished
aluminum



BG
Textured
beige

CORD



BK
Black



WH
White



CU
Cumin

CANOPY AND MOUNTING SYSTEM

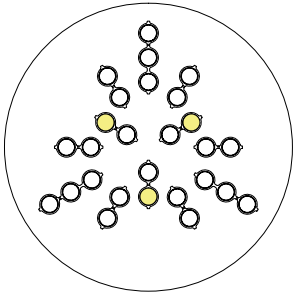
(offset canopy and anchors)



WH
Textured
white

CONFIGURATION

uplights

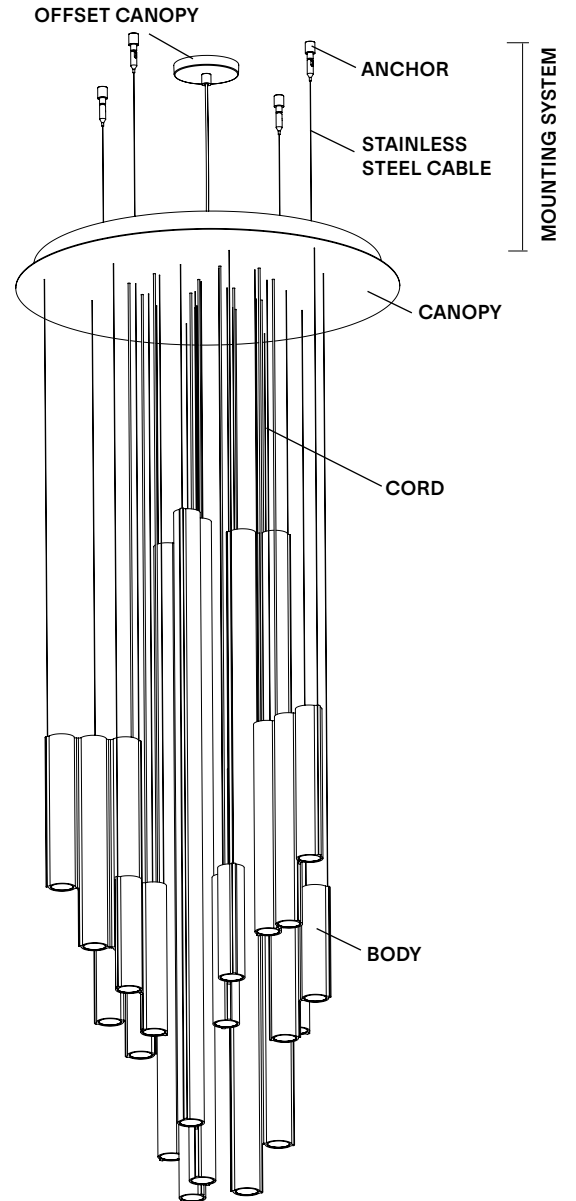
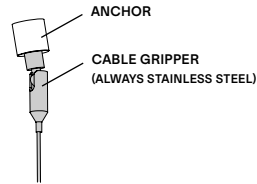


NOTES

- Must be installed by an electrician
- LED may only be changed by Lambert & Fils or other authorized personnel
- Not protected against liquids (refer to IP20)
- Additional charges for modifications or for special orders
- Please refer to maintenance sheet on our website for cleaning instructions

LAMP ANATOMY

(Offset canopy)



		Example	Fill with your selection
COLLECTION	SIL Silo	SIL	SIL
MODEL	51	51	51
BODIES	BG Textured beige OB Glossy oxblood MR Mirror polished aluminum CC Custom colour*	OB	
CORD	BK Black WH White CU Cumin	BK	
CANOPY	WH Textured white CC Custom colour*	WH	
MOUNTING TYPE	SM Surface mounted OS Offset mounted	SM	
MOUNTING TYPE FINISH**	WH Textured white CC Custom colour*	WH	
COLOUR TEMPERATURE (CCT)	F22 Fixed 2200K F27 Fixed 2700K F30 Fixed 3000K D27 Dim to warm 2700K-2200K D30 Dim to warm 3000K-2200K CCT Other CCT available upon request***	F22	
DIMMING	ZT 0-10V (120VAC only) PH Phase dimming DA DALI (220-240VAC only)	ZT	
FULL SKU		SIL51OBBKWHSMF22ZT	

NOTES

*Custom colour available upon request. Material library on website.

**To choose only with offset mounted option.

***Specific CCT selection only available in 100k increments, from 2200K to 4000K inclusively and not available with Dim-to-Warm feature.