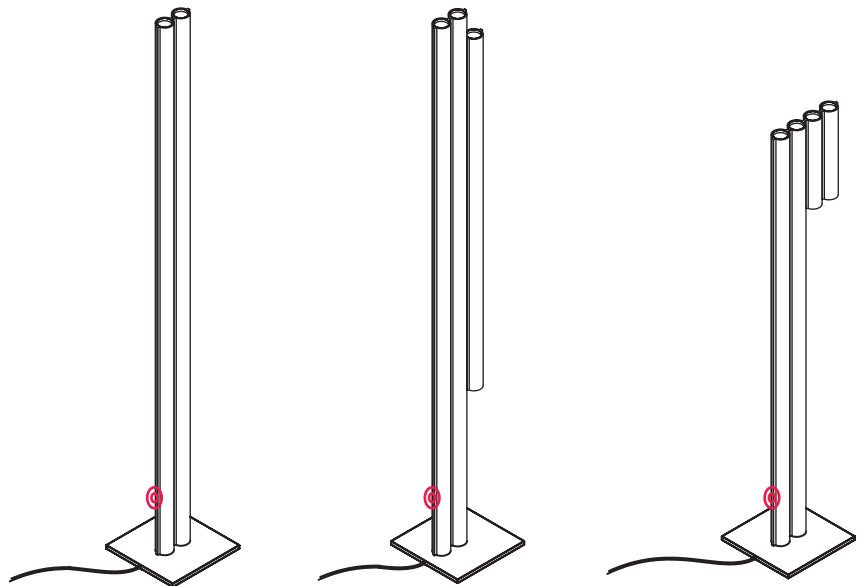
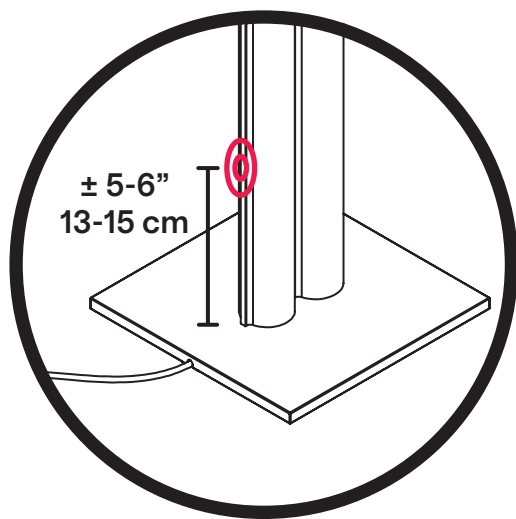


Colour Temperature Adjustment Guide

Colour temperature adjustment

Applicable on all Silo floor models

The Silo floor is equipped with the Flex CCT technology that allows you to modify the colour temperature (CCT) of the light source with the simple use of a magnet. The following procedure allows reprogramming, in either fixed colour or Dim-To-Warm feature. Dim-To-Warm feature means that the colour will shift to warmer light when dimming. Programming requires a strong magnet about the size of a bottle cap. Be careful not to scratch the lamp surface as the finish is fragile (we recommend using a cloth to cover the magnet).



MAGNETIC SENSOR PLACEMENT

Colour Temperature Adjustment Guide

Mode 1 Fixed CCT and Dim-to-Warm

Fixed CCT

Light colour will stay the same when dimming for the 5 first setting.



Step 1: Choose your desired color temperature. To find the light pulse sequence refer to Chart 1 (e.g.: 2200K = 1 pulse, 2700K = 2 pulses).

Step 2: Turn ON the luminaire to full brightness. Wait 10 seconds.

Step 3: Bring the magnet up to the sensor area. The position is approximate. You might have to move the magnet around the suggested area. Once it begins flashing, count the number of flashes corresponding to your selection in Step 1 and remove the magnet before the next flash. After 3 seconds, the lamp will pulse rapidly to indicate programming is complete.

Note: Programming steps can be redone infinitely; simply redo procedure.

CHART 1 - FIXED CCT AND DIM-TO-WARM

Colour Temperature		Pulse #
WARMEST	2200K	1
WARM	2700K	2
NEUTRAL	3000K	3
COLD	3500K	4
COLDEST	4000K	5
DIM-TO-WARM 1	2700K  2200K	6
DIM-TO-WARM 2	3000K  2200K	7