

SAINTE



WARNING - GLASS PRODUCT
IMPORTANT NOTICE

Take extra care when handling or moving the glass shade of the luminaire. Avoid touching it with any tools and keep away from any hard or abrasive surfaces (like rings, jewellery, watches, etc.). The edges and corners are especially fragile.

Keep the glass clean and wear gloves at all times. Do not put hands inside the glass body unnecessarily. This will allow for less cleaning and less chance to damage the glass.

Read and follow all steps carefully allowing the appropriate time for each step. Rushing the installation may cause accidents or damage.

**NEVER TURN ON POWER SUPPLY
UNTIL CONNECTIONS AND
INSTALLATION ARE COMPLETED.
DOING OTHERWISE COULD BE
HARMFUL TO YOUR LUMINAIRE.**



- Please read entire manual before installation
- To be installed by an electrician to an electrical box
- Use appropriate screws and anchors where necessary
- Wear enclosed gloves when handling glass body
- Handle materials with care. Please consult lamp maintenance sheet on our web site

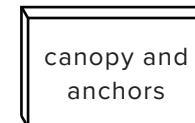


PLEASE NOTE

ALL SAINTE MODELS FOLLOW
THE SAME INSTALLATION PROCESS.

Each luminaire comes shipped in three boxes.

To protect the luminaire do not open the boxes until
the installation process requires it.



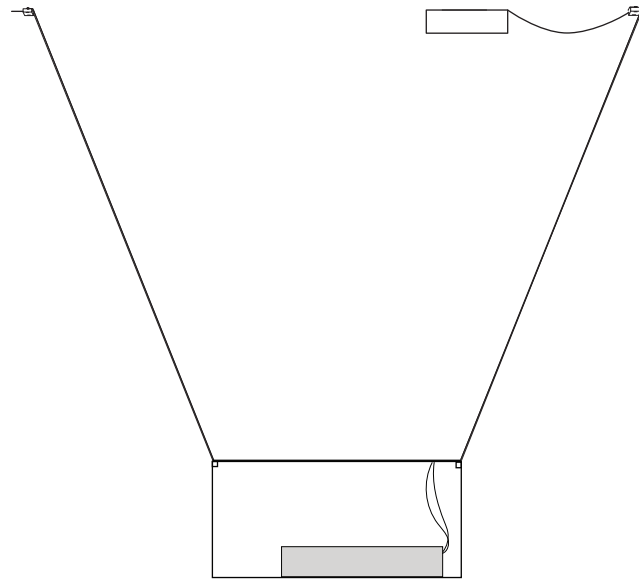
*One pair of scissors has been
provided for each order. If you
order several Saintes, only one
pair will be provided.

INSTALL CEILING ANCHORS

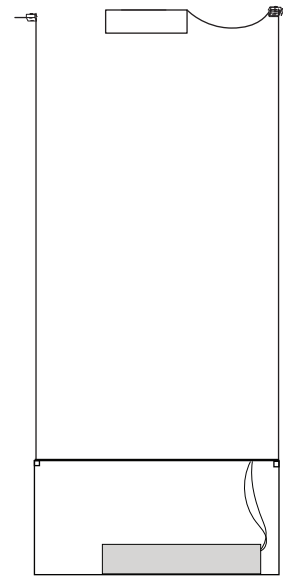
1

Determine the setup of your luminaire, either angled or parallel.

angled



parallel



OR

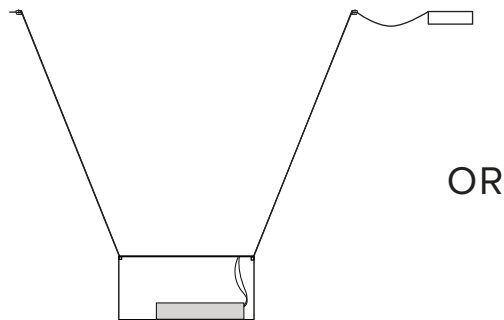
Chose the placement of your canopy, either exterior or interior

exterior

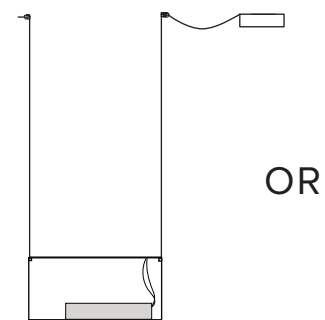
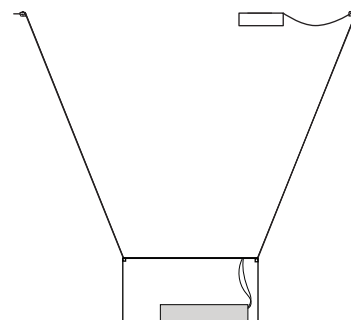
interior

exterior

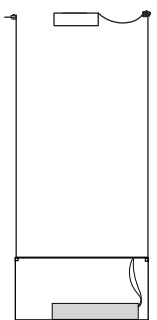
interior



OR



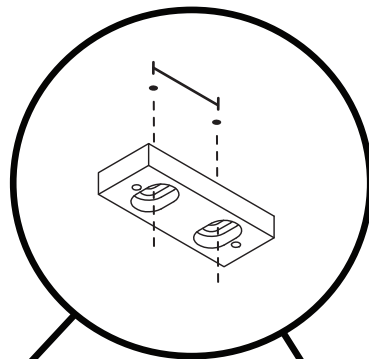
OR



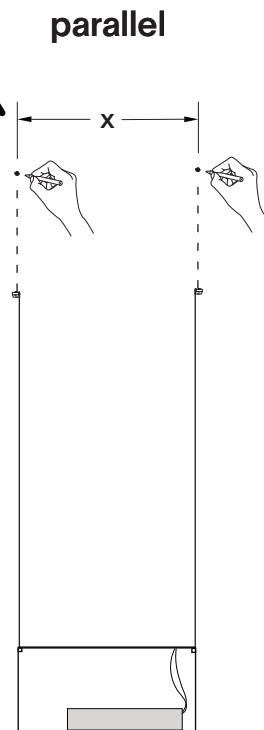
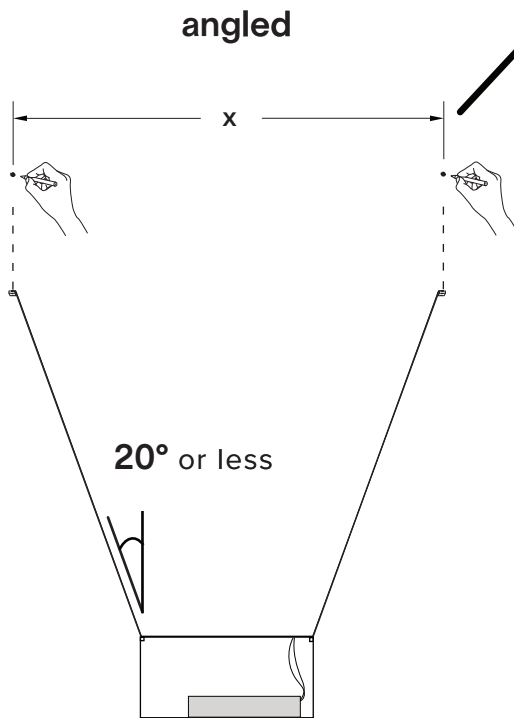
2

Mark your **X** dimension.

The distance is from center to center of each anchor.



Use your anchor plate as a guide to make your marks.

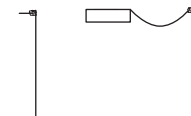


Note that dimensions vary for interior or exterior canopy.



EXTERIOR CANOPY

- X = SAINTE 01** 31 ³/₈" / 79.7 cm
- SAINTE 02** 19 ⁷/₈" / 50.5 cm
- SAINTE 03** 16 ³/₈" / 41.6 cm
- SAINTE 04** 9 ³/₈" / 23.8 cm
- SAINTE 05** 23 ⁷/₈" / 60.6 cm
- SAINTE 06** 49 ⁵/₈" / 126 cm
- SAINTE 07** 25 ⁵/₈" / 65.1 cm
- SAINTE 08** 21 ⁵/₈" / 54.9 cm
- SAINTE 09** 28 ⁵/₈" / 72.7 cm



INTERIOR CANOPY

- X = SAINTE 01** 30 ¹/₄" / 76.8 cm
- SAINTE 02** 18 ³/₄" / 47.6 cm
- SAINTE 03** 15 ¹/₄" / 38.7 cm
- SAINTE 04** not possible for this model
- SAINTE 05** 22 ³/₄" / 57.8 cm
- SAINTE 06** 48 ¹/₄" / 122.6 cm
- SAINTE 07** 24 ¹/₄" / 61.6 cm
- SAINTE 08** 20 ¹/₄" / 51.4 cm
- SAINTE 09** 27 ¹/₄" / 69.2 cm

Choose your distance **X** for angled as long as it is less than 20°.

3

Install the aluminum ceiling anchors.

*** Use appropriate mounting hardware (not provided) for the weight of your luminaire**

SAINTE 01 14.3 lb / 6.5 kg

SAINTE 02 21.7 lb / 9.8 kg

SAINTE 03 18.3 lb / 8.2 kg

SAINTE 04 7.1 lb / 3.2 kg

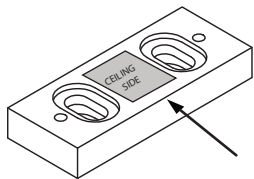
SAINTE 05 15.1 lb / 6.8 kg

SAINTE 06 41.8 lb / 18.6 kg

SAINTE 07 44.1 lb / 20 kg

SAINTE 08 42.1 lb / 19.1 kg

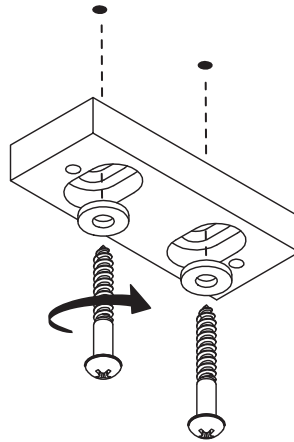
SAINTE 09 31 lb / 14.1 kg



Note the ceiling side of the anchor is clearly labelled with a sticker.

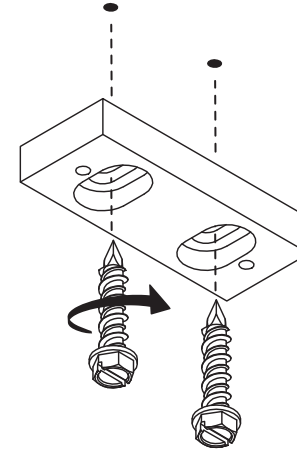


Make sure screw heads are fully immersed into the holes.



Assembly with NO.8 screws (or other) and washers (included)

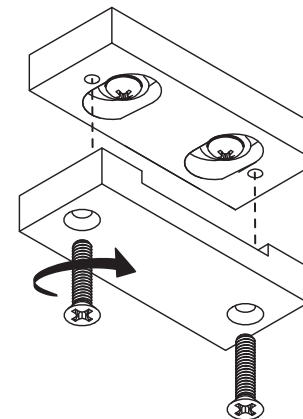
OR



Assembly with Tapcon no washers required

4

Partially screw the top plate of the anchor to temporarily allow the ribbon to freely pass through.

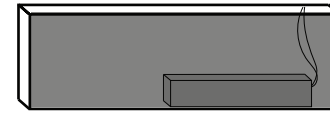


DETERMINE ORIENTATION OF THE GLASS SHADE AND THE ELECTRICAL SIDE

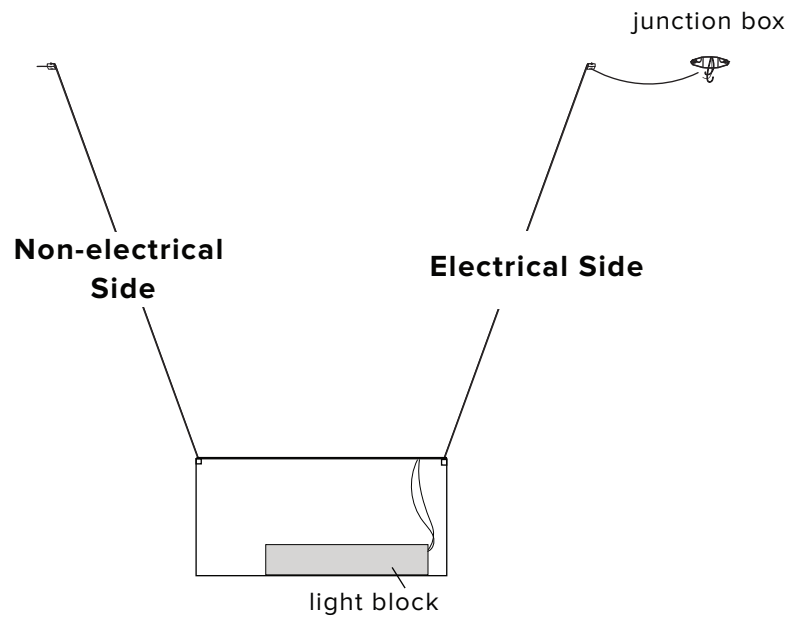
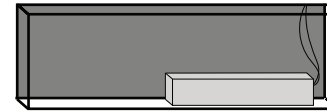
5

The light block should be on the same side as your junction box

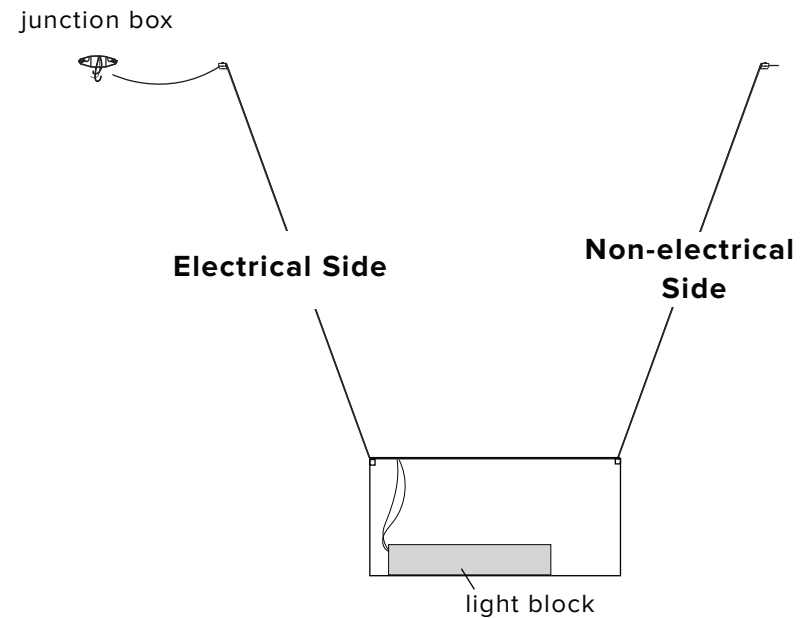
Choose the orientation for glass shades with different finishes on both sides.



OR



OR



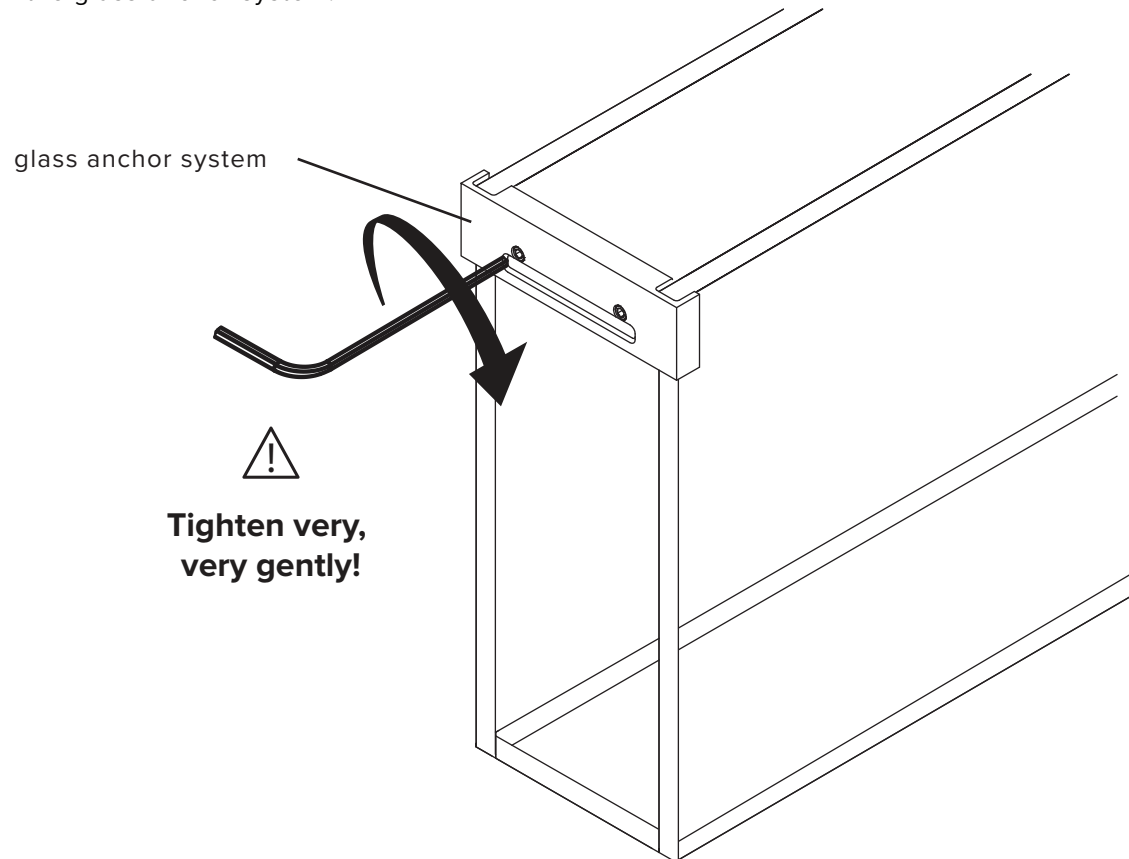
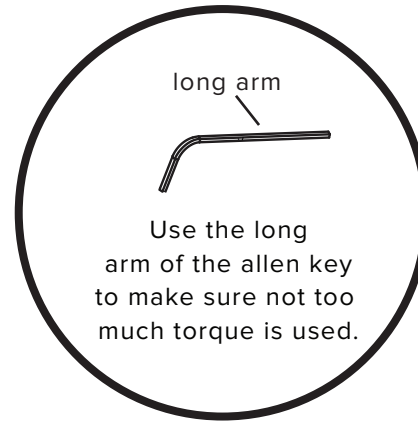
PREPARE THE GLASS SHADE

6

To ensure a secure assembly,
gently tighten the four screws equally.

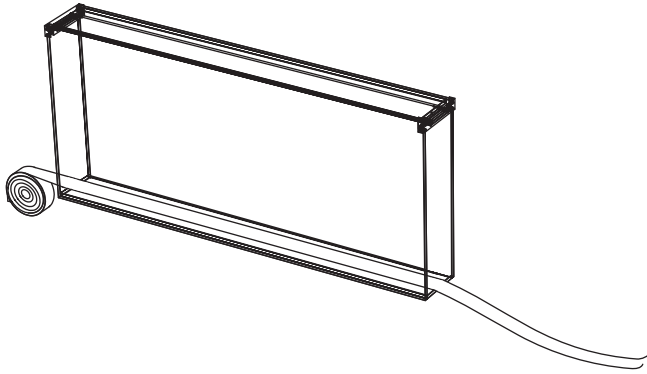
Tighter 1/4 turn at a time while
alternating screws.

Ensure that there is slight pressure
on the glass, that the pressure is
equally balanced and that there is no
movement in the glass anchor system.

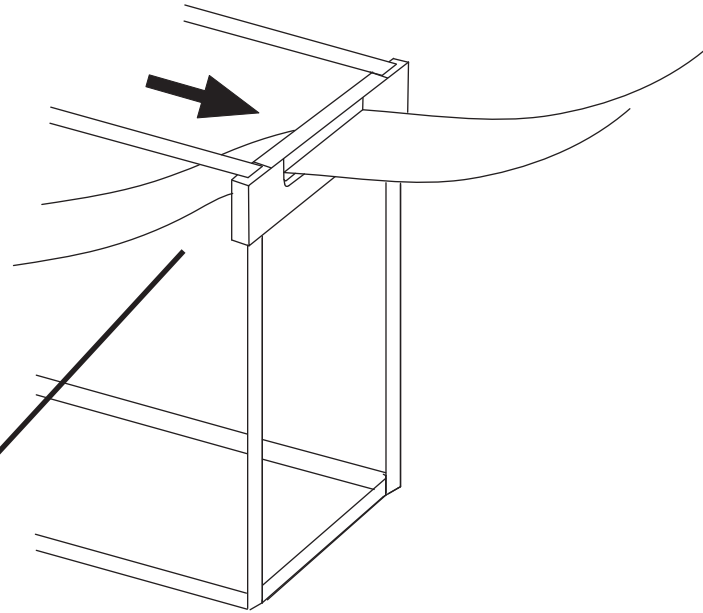
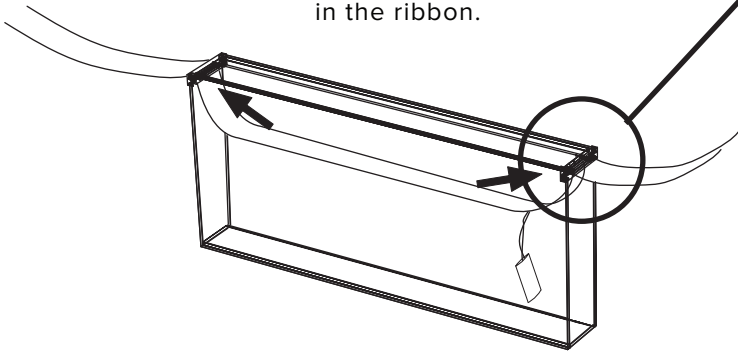


7

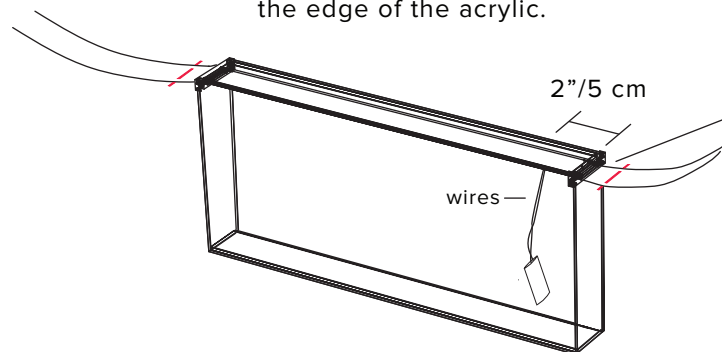
Place glass body on a flat, non abrasive surface. Undo twist ties and un-roll the ribbons.



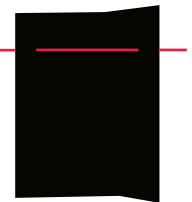
Pass both ribbons through the glass anchor system. Make sure there are no twists in the ribbon.



Pull ribbon until the glass shade is centered in between the two positioning threads. The wires should be approximately 2"/5cm from the edge of the acrylic.



Positioning thread



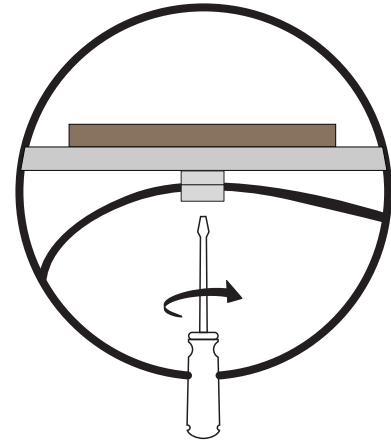
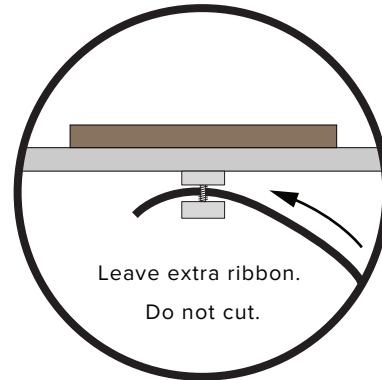
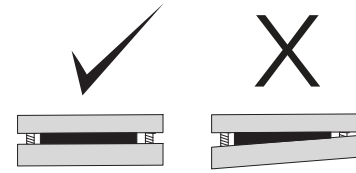
Do not remove positioning thread until the installation is complete.

INSTALL THE LUMINAIRE

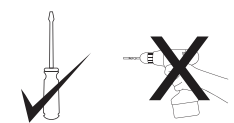
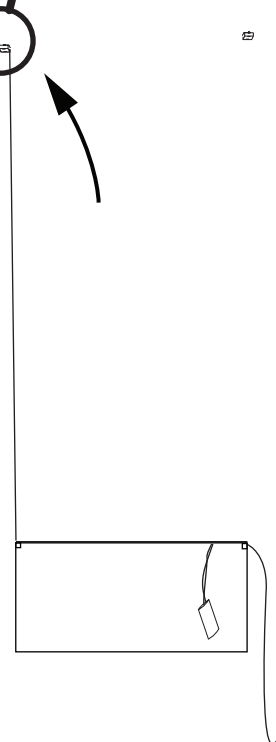
8

Pass the ribbon through each ceiling anchor. Make sure to leave enough ribbon for connection on the electrical side. Tighten ceiling anchors when desired length is achieved.

Make sure there are no twists in the ribbon.



Non-electrical Side

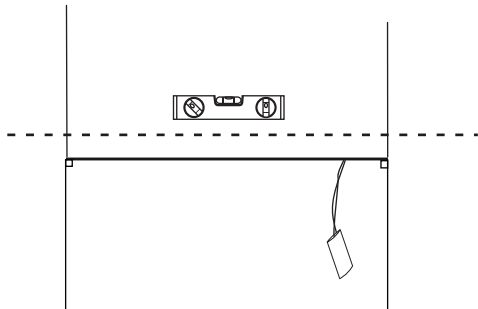


SCREW FIRMLY

9

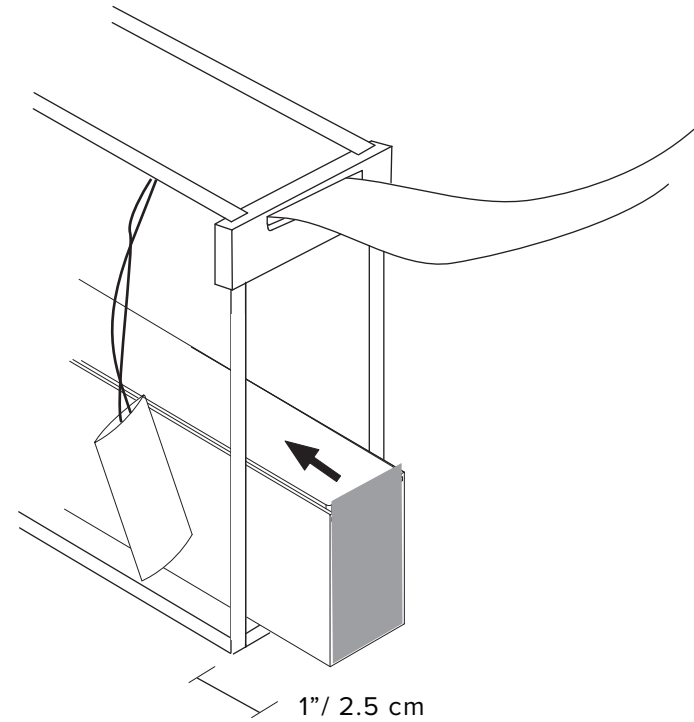
Ensure that the glass body is level and centered in between the positioning threads. If needed, adjust height. Then remove positioning threads from the ribbon.

Make sure to not scratch or damage your glass shade.



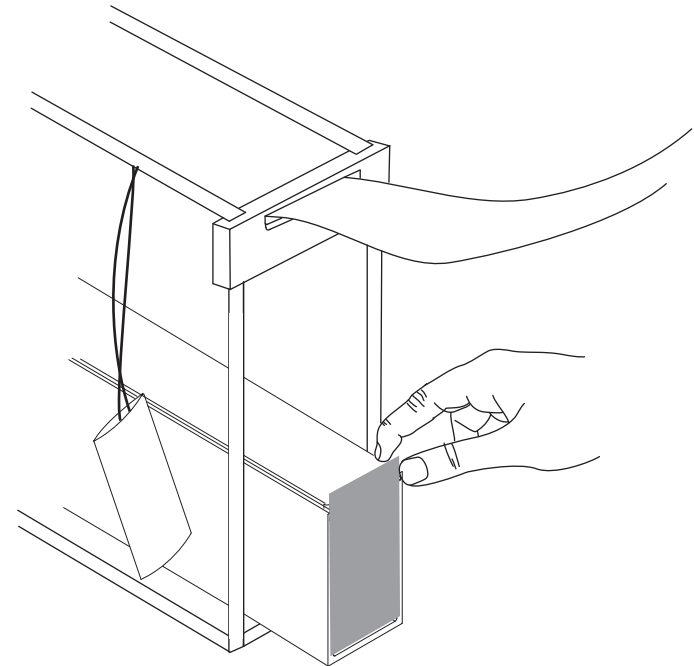
10

Insert light block into body and leave it sticking out 1" / 2.5 cm from the edge.



11

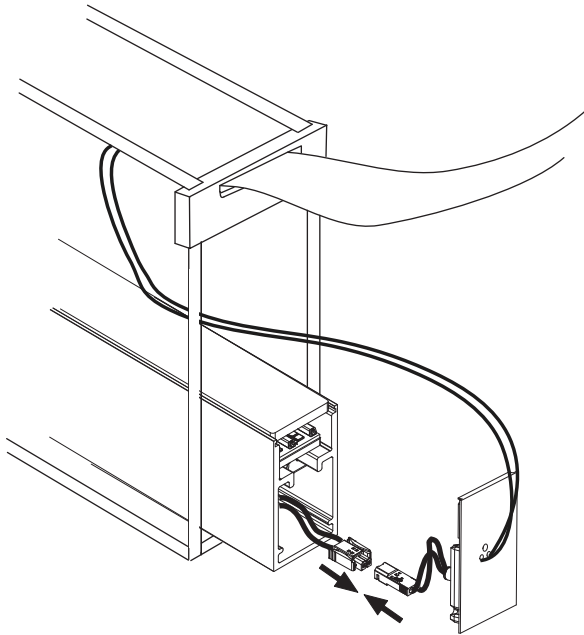
Remove protective tape.



12

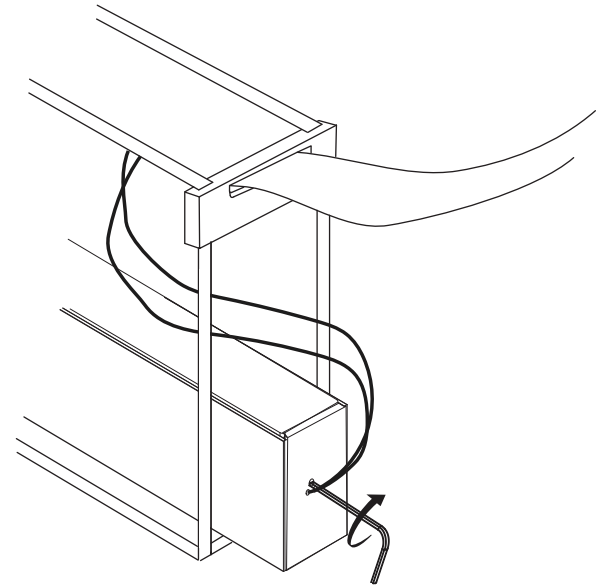
Remove end cap
from foam pouch.

Make connection
with quick connectors.



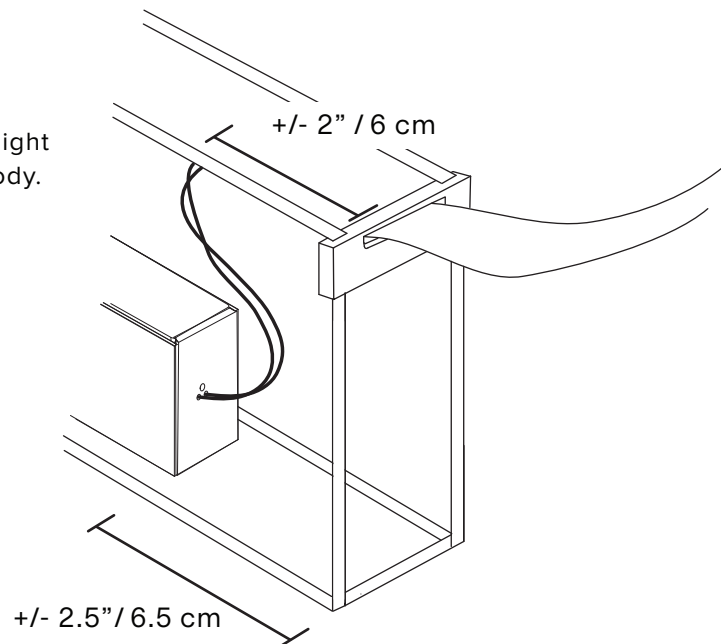
13

Carefully screw on
the endcap.

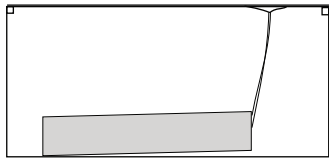
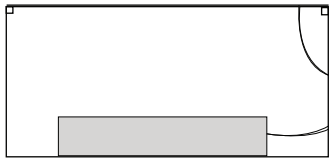
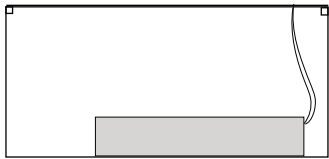


14

Carefully slide the light
block inside the body.

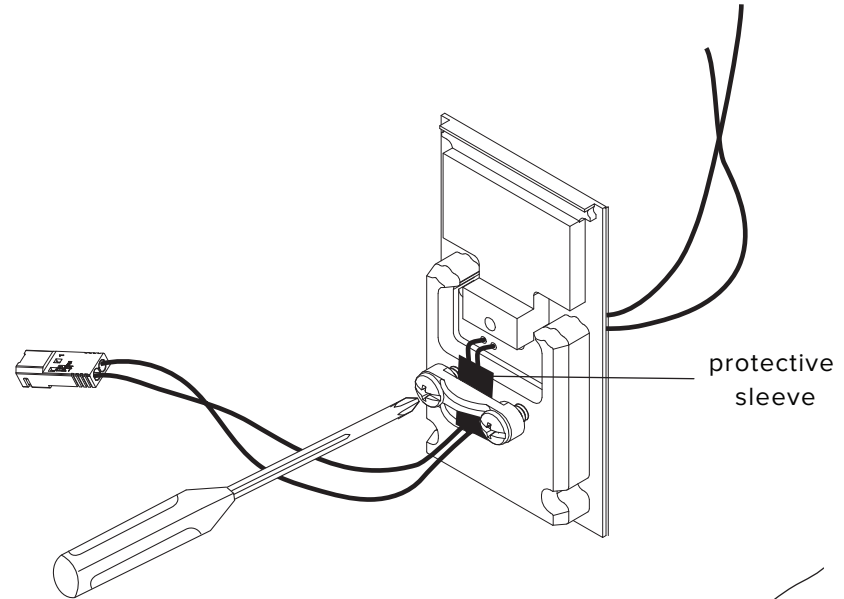


Make sure the wires do not stick out past the edge of the acrylic shade and that they sit properly.

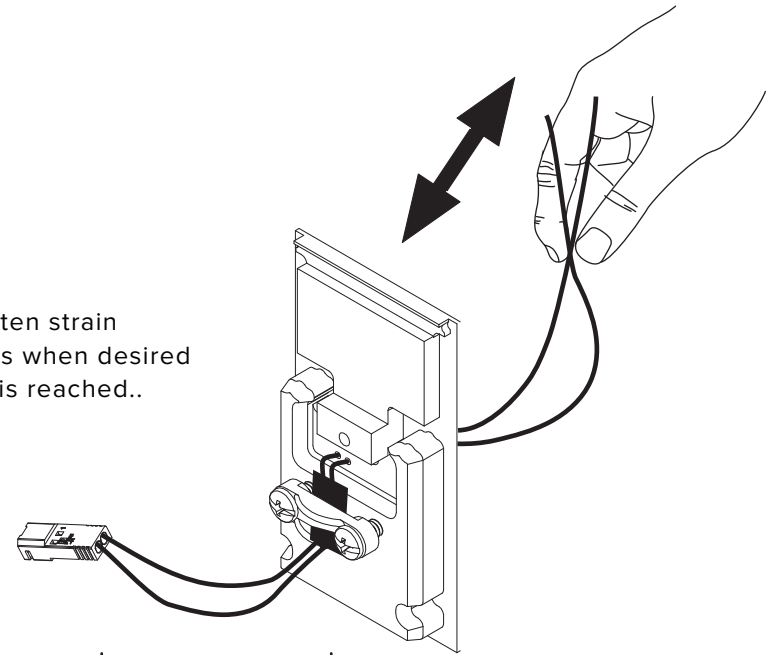


If your wires are too short or too long, unscrew end cap, loosen strain relief screws, pull wires out further while making sure the protective sleeve stays under the strain relief.

Pull out / push in extra wires



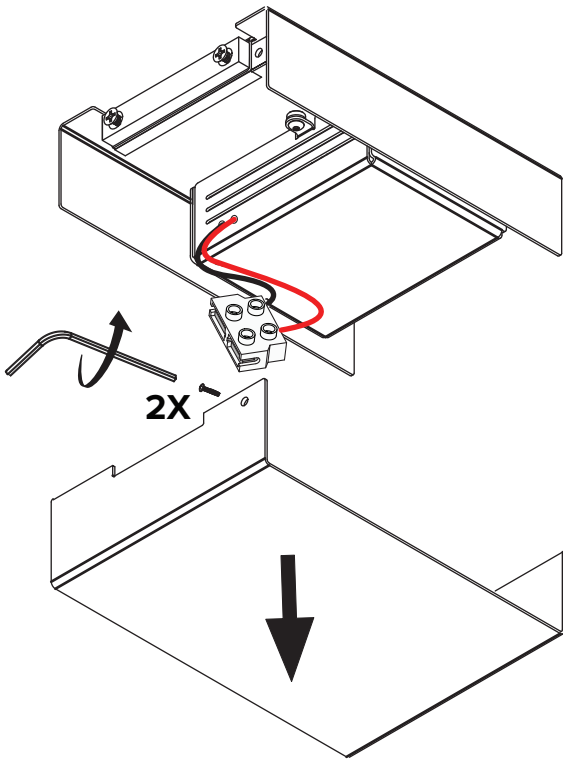
Retighten strain relief screws when desired length is reached..



minimum 1-2" / 2.5-5cm

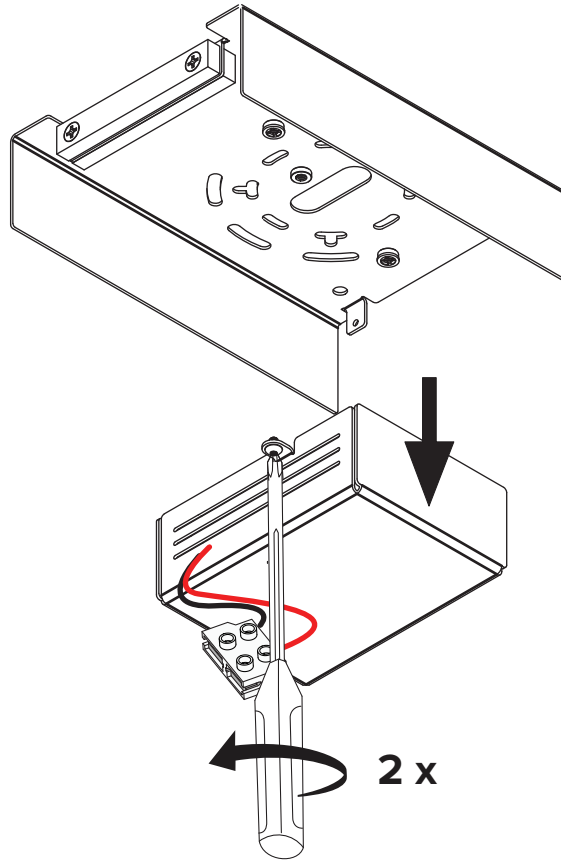
OPEN THE CANOPY

15



Remove the screws in the front and back of the canopy cover and lower it.

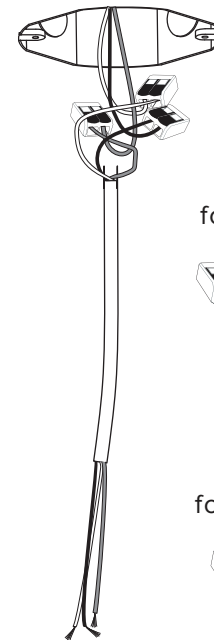
16



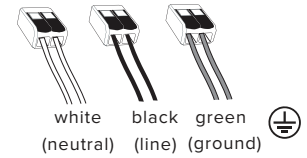
INSTALL EXTENSION HARNESS

17

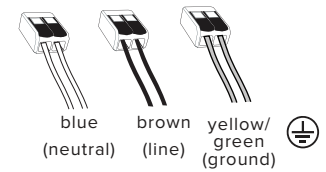
Connect the provided extension harness to the junction box



for 120 V wiring



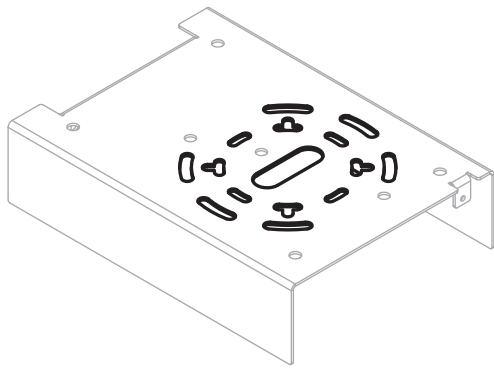
for 220-240 V wiring



MOUNT CANOPY BRACKET

18

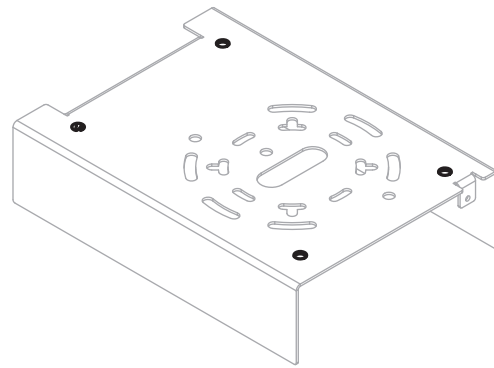
Ensure that the strain relief plate faces the lamp electrical side of the lamp ribbon.



To junction box

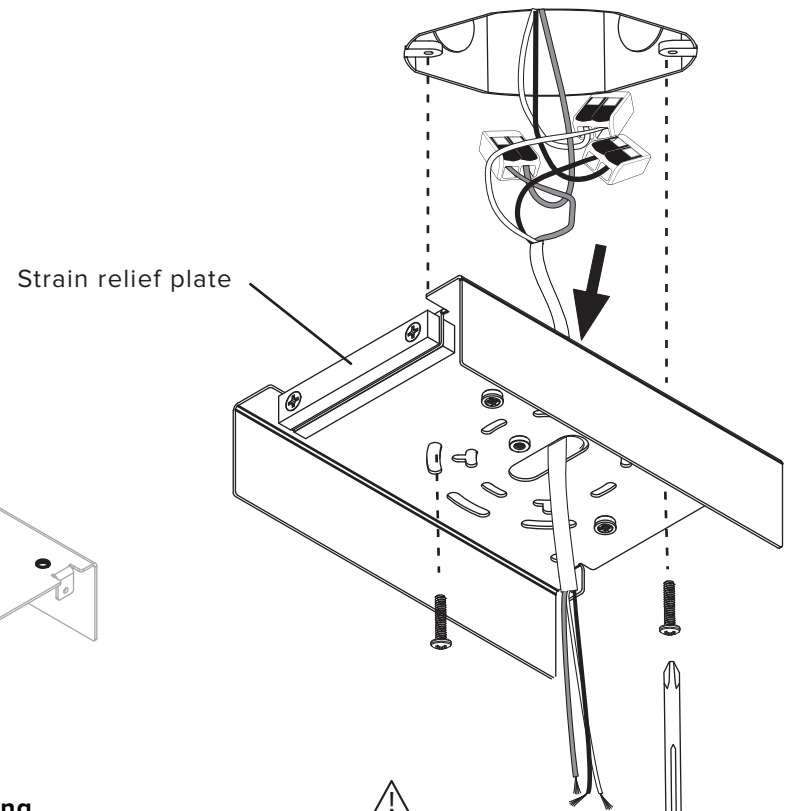
*if the pattern does not fit your junction box, use the other installation method

OR

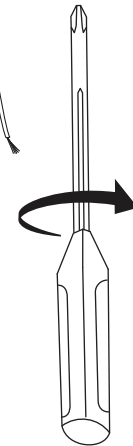
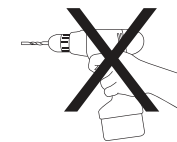
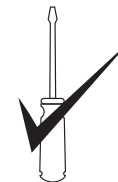


directly to the ceiling

*use appropriate anchors



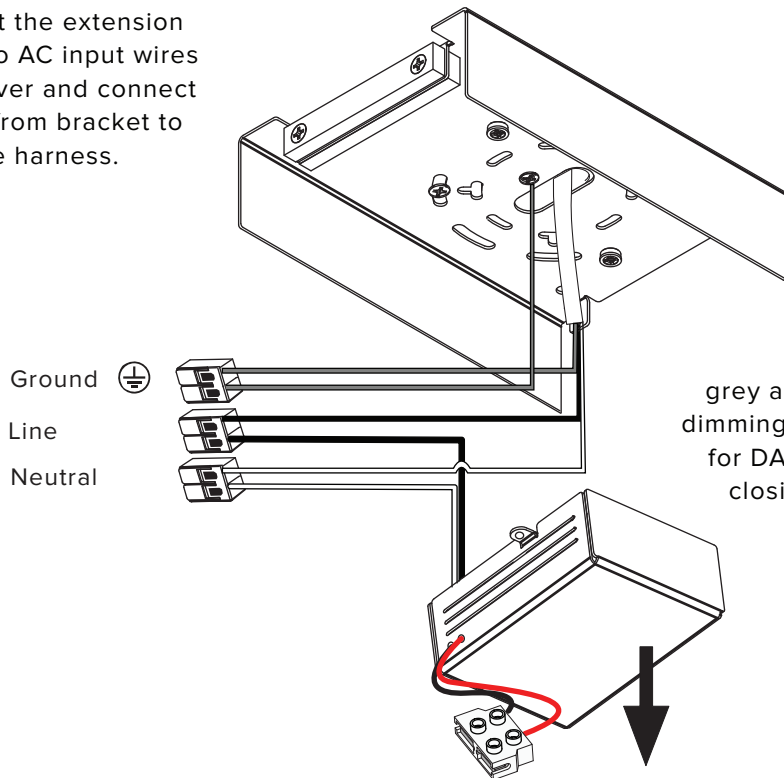
Ensure no wires are clipped or pinched during these steps.



MAKE LINE/MAIN VOLTAGE CONNECTION TO ELECTRICAL BOX (AC)

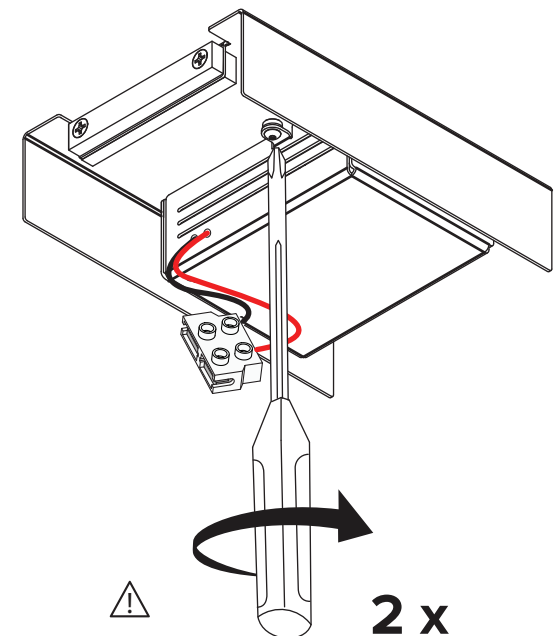
19

Connect the extension harness to AC input wires of the driver and connect ground from bracket to the harness.



20

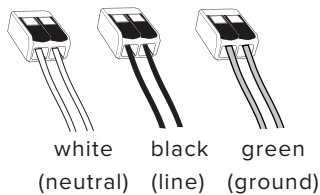
Carefully close driver enclosure. It is held by two screws.



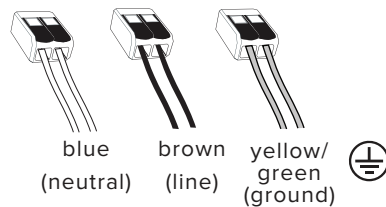
If applicable, use grey and purple wires for 0-10V dimming circuit, or the orange wires for DALI dimming circuit before closing the driver enclosure.

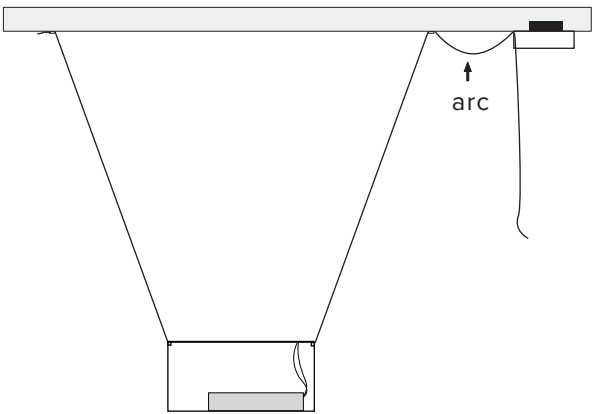
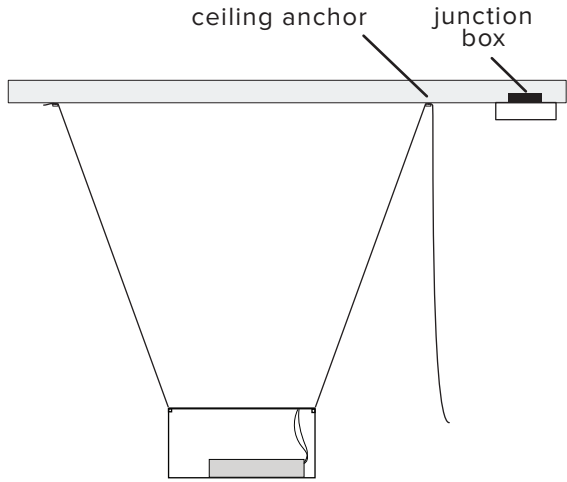
Ensure no wires are damaged during these steps.

for 120 V wiring

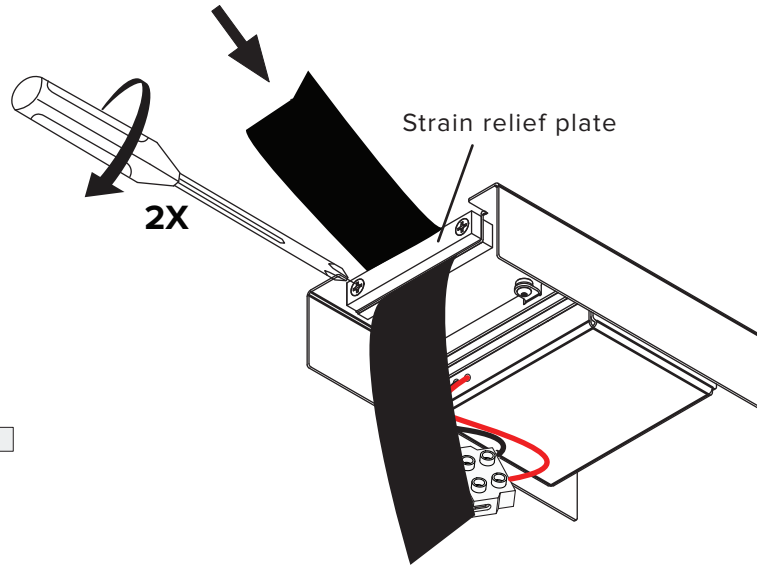


for 220-240 V wiring



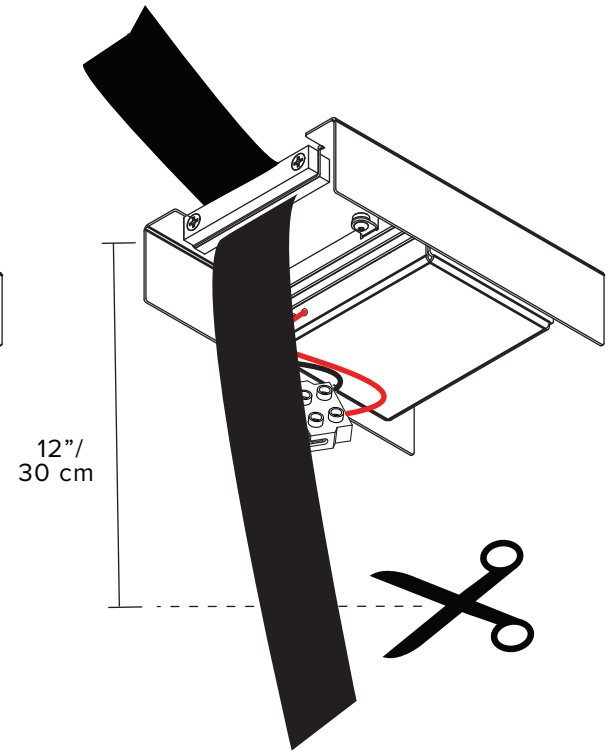


21



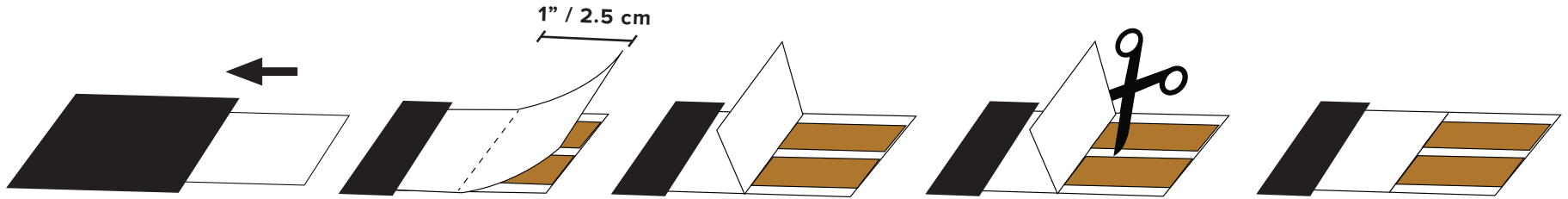
Screw gently but firmly by alternating between one screw and the other.

22



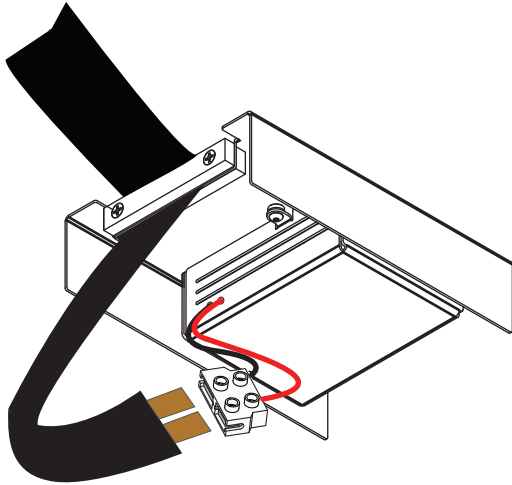
UNSLEEVE CONDUCTORS

23

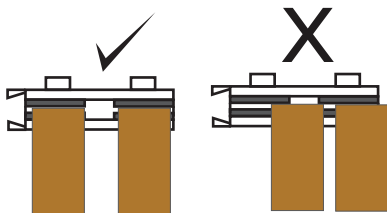


Push back the ribbon to reveal the copper conductor.

Peel off and fold 1" / 2.5 cm of the white, shiny covering and cut it off.

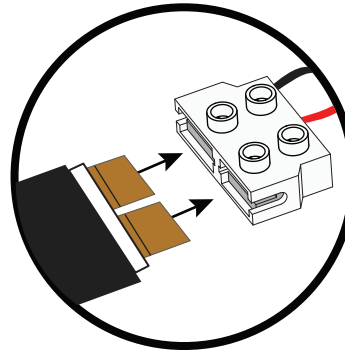


Both slots are the same and will receive either ribbon. (Polarity is not important)

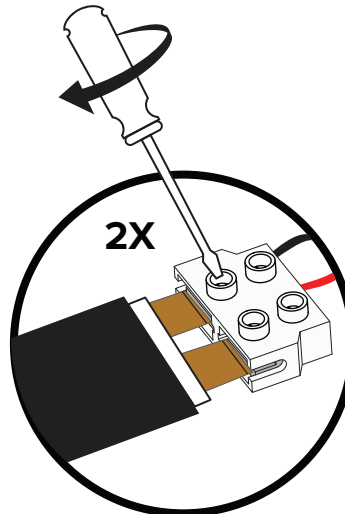


Do not overlap ribbons in both connectors

24

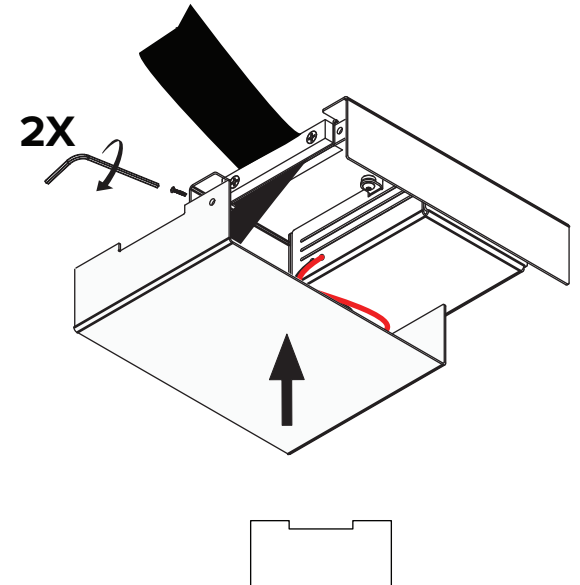


25



26

Carefully fold up extra ribbon within the housing.

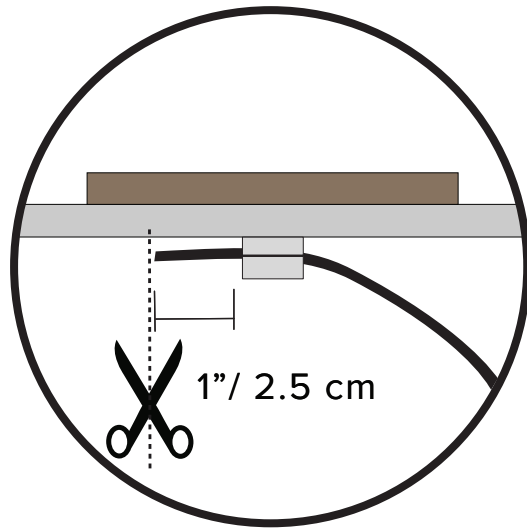


Note, one side of canopy cover is slotted for the ribbon

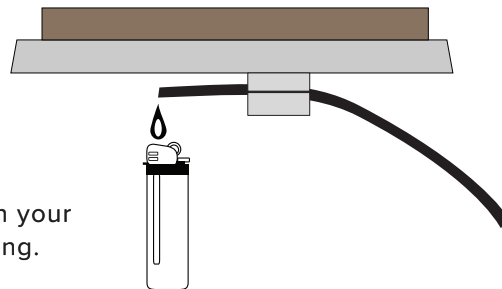
FINAL VERIFICATION

27

When the luminaire is at the desired height and level, trim ribbon 1"/ 2.5 cm after the anchor.

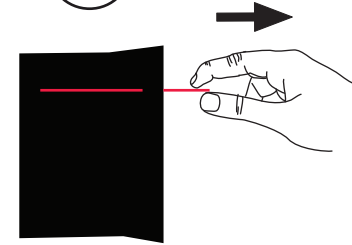


The extremity of the trimmed ribbon can be melted with the flame of a lighter for a few seconds to prevent fraying.



Be careful not to burn your fingers or the ceiling.

28



Pull out positioning thread

29

Use a feather duster or microfiber cloth to remove dust.

To clean finger prints, smudges or dirt on the acrylic, gently and very carefully clean the inside and outside of the shade using water and a microfiber cloth, then a dry microfiber cloth.

Do not use abrasive products or contaminated cloth as it could result in scratches on the surface!



**AVOID LIQUIDS
ON THE RIBBON, WIRES
AND LIGHT BLOCK**

