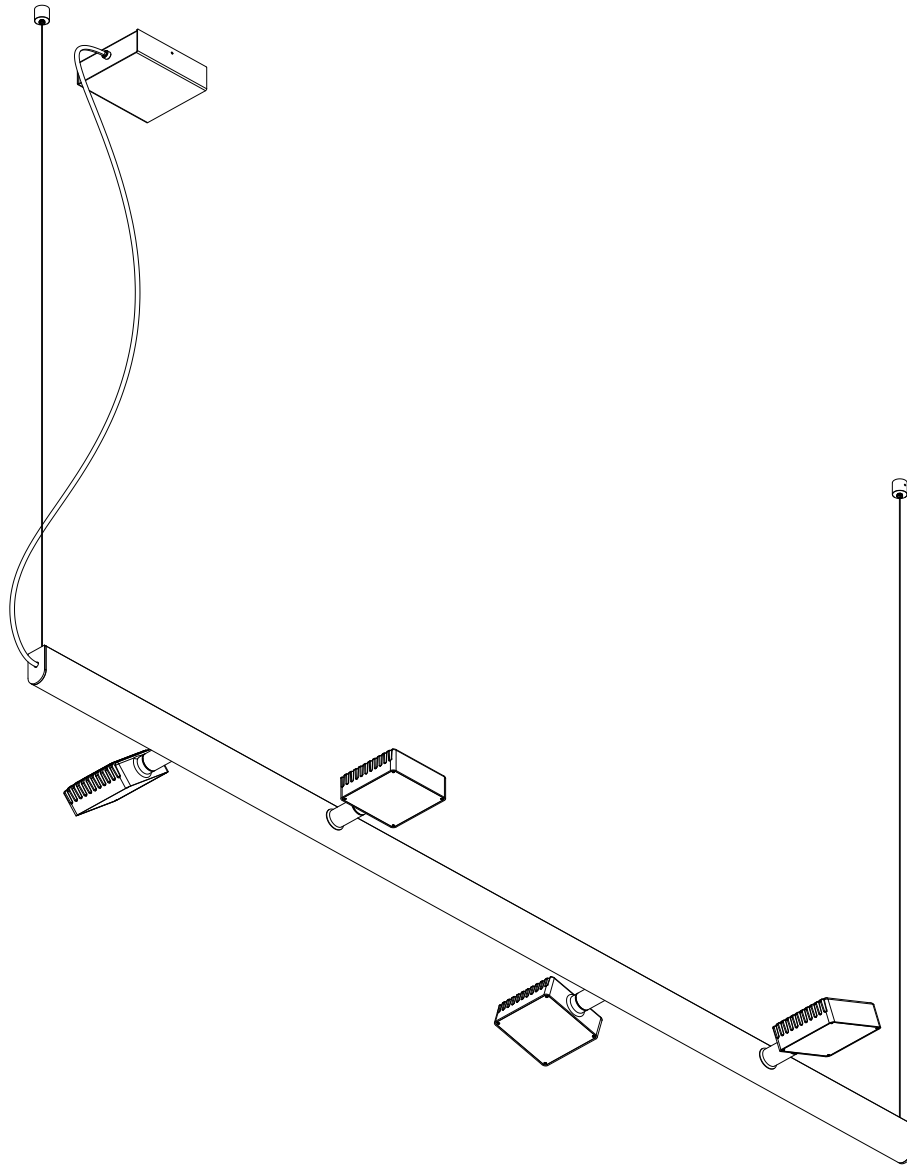


DORVAL SUSPENSION



- Please read entire manual before installation
- To be installed by an electrician to an electrical box
- Use appropriate screws and anchors where necessary
- Wear enclosed gloves when handling lamp
- Handle materials with care. Please consult lamp maintenance sheet on our web site



minimum

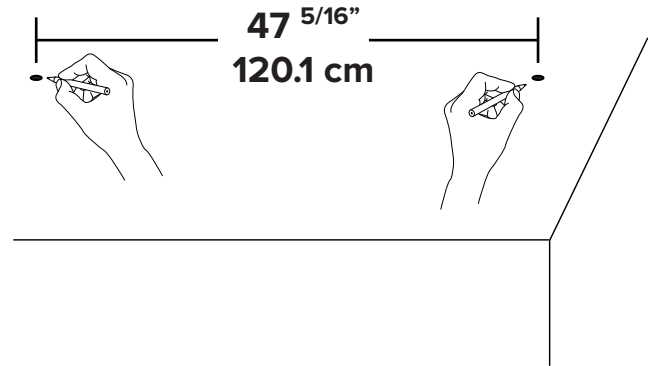


**NEVER TURN ON POWER SUPPLY
UNTIL CONNECTIONS AND
INSTALLATION ARE COMPLETED.
DOING OTHERWISE COULD BE
HARMFUL TO YOUR LUMINAIRE.**

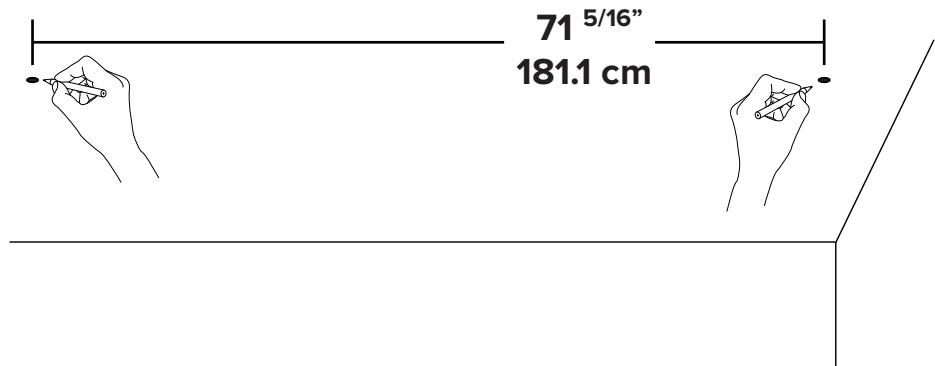
1

Mark your anchor points on the ceiling according to your model

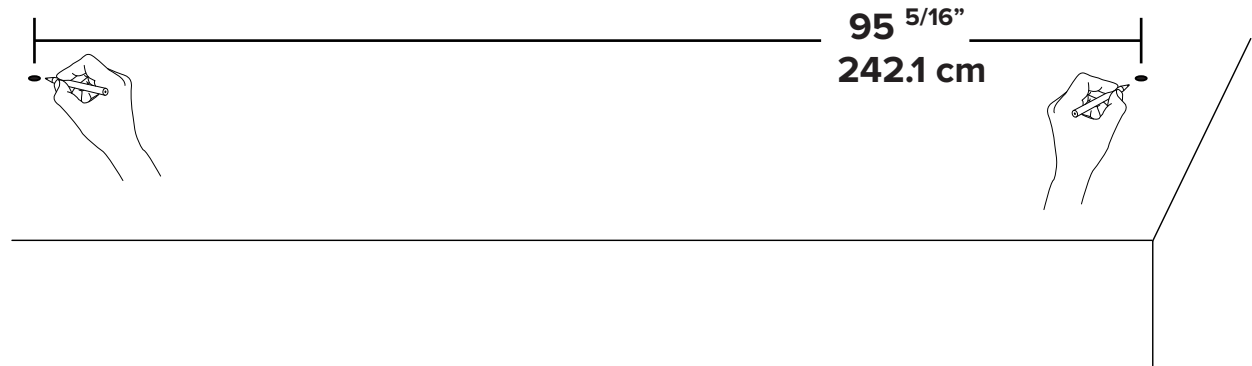
4 FOOT



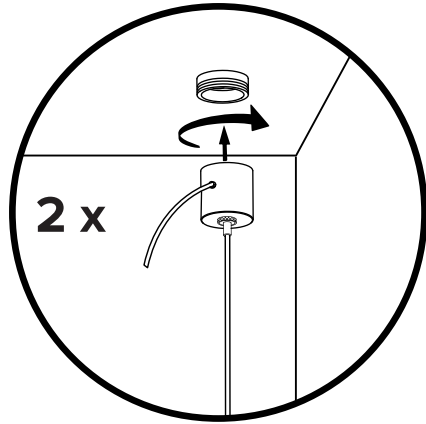
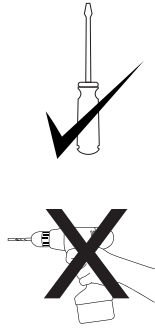
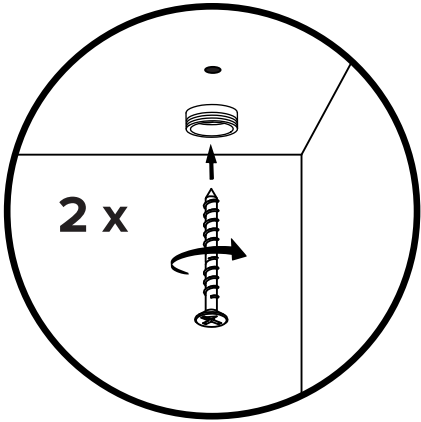
6 FOOT



8 FOOT

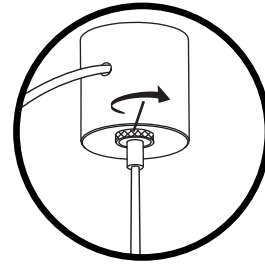
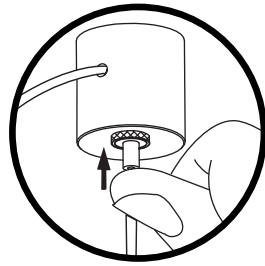
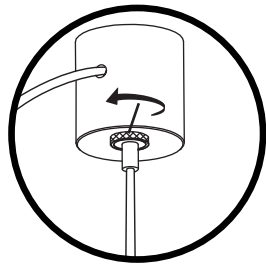


2

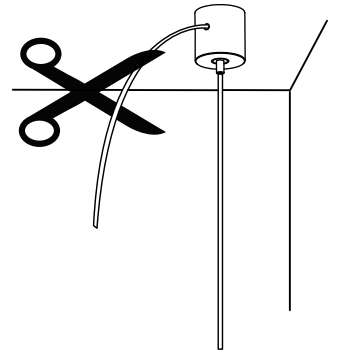
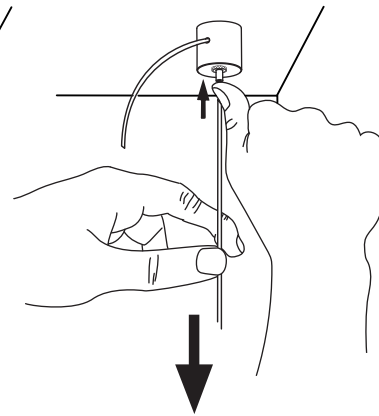
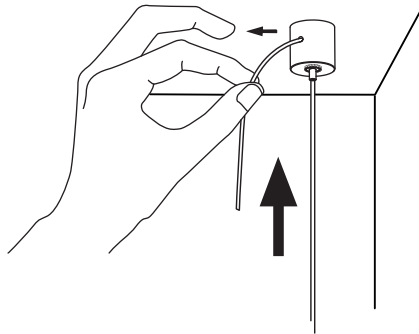
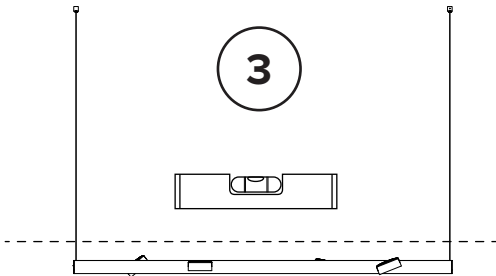


Make sure you use appropriate anchors and screws for your ceiling material and luminaire weight.

		2 heads	4 heads
4 FOOT	uplight	8.4lbs / 3.8kg	12.5lbs / 5.7kg
	no uplight	7.8lbs / 3.6kg	11.9lbs / 5.4kg
6 FOOT	uplight	9.2lbs / 4.2kg	13.3lbs / 6kg
	no uplight	8.6lbs / 3.9kg	12.7lbs / 5.8kg
8 FOOT	uplight	10lbs / 4.5kg	14.4lbs / 6.4kg
	no uplight	9.4lbs / 4.3kg	13.5lbs / 6.1kg



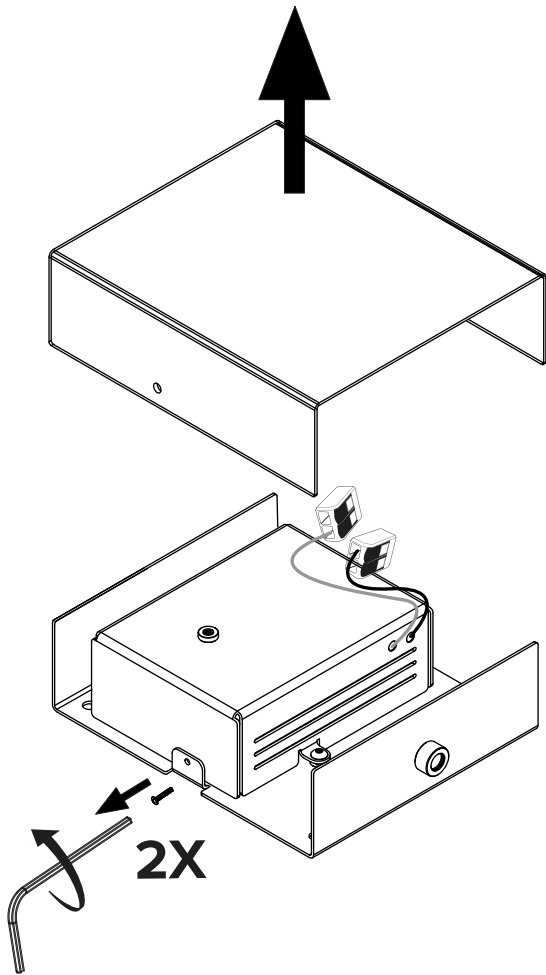
Cut cable after installation is complete and luminaire is level.



INSTALL CANOPY

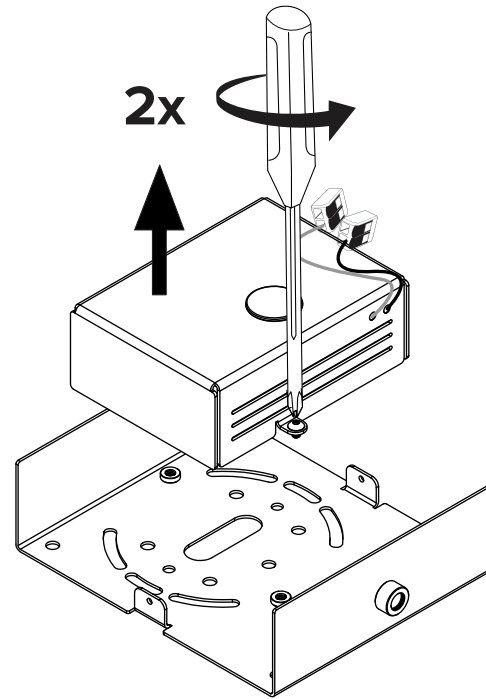
4

Open canopy cover.
It is held in place with
two screws.



5

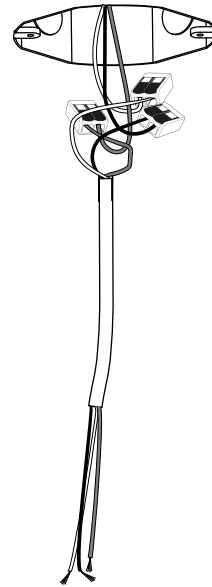
Unscrew driver
housing. It is held in
place by two screws.
Place the housing aside.



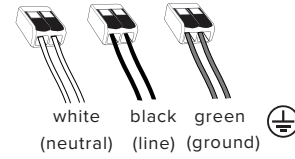
INSTALL EXTENSION HARNESS TO LINE/MAINS VOLTAGE

6

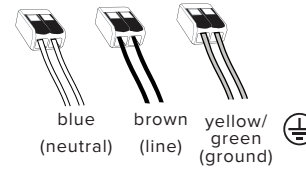
Connect the extension harness to the junction box. The harness is included with the canopy.



for 120 V wiring

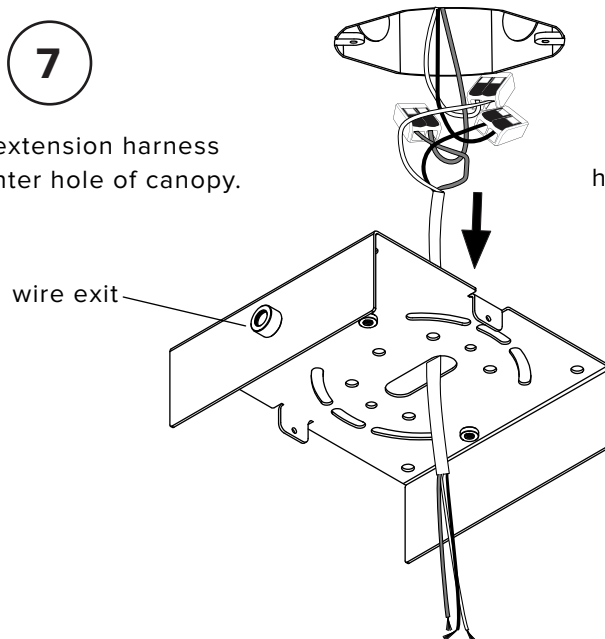


for 220-240 V wiring

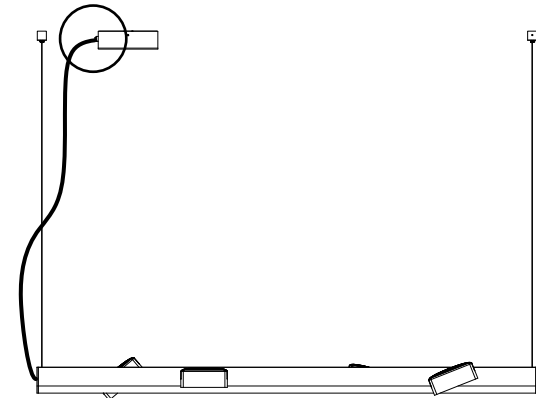


7

Pass the extension harness through center hole of canopy.



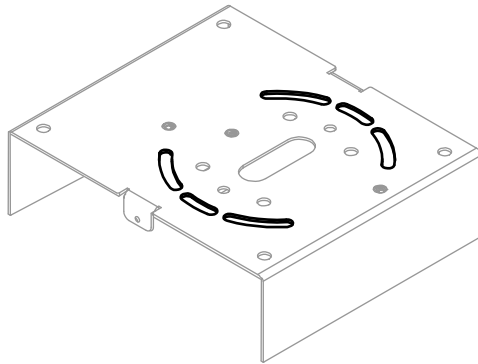
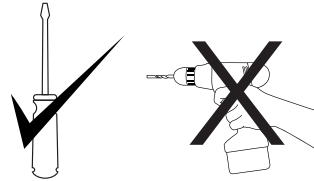
Make sure the wire exit hole is facing the electrical side of your luminaire.



MOUNT CANOPY BRACKET

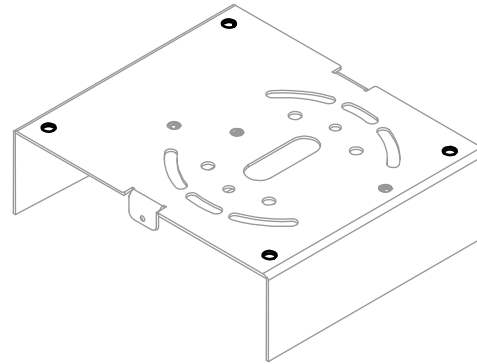
8

The canopy can either be mounted to the junction box or directly to the ceiling using appropriate holes.

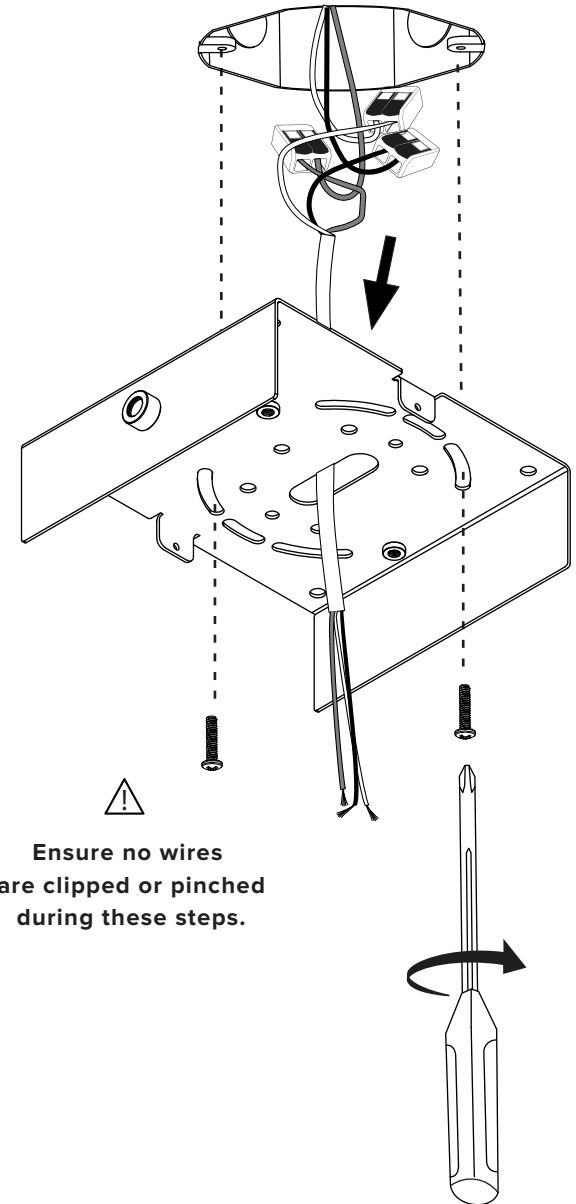


To junction box

OR



directly to the ceiling
*use appropriate anchors



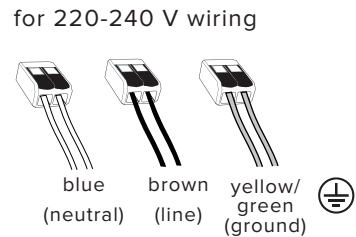
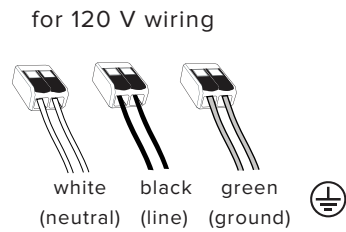
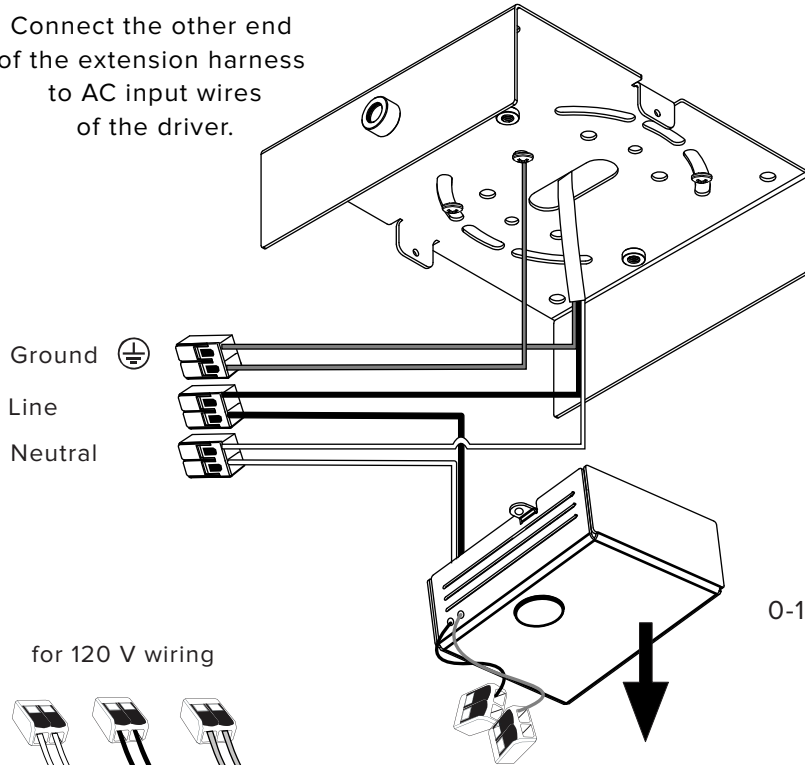
Ensure no wires are clipped or pinched during these steps.

*if the pattern does not fit your junction box, use the other installation method

CONNECT EXTENSION HARNESS (ELECTRICAL BOX) TO DRIVER'S AC INPUT WIRES

9

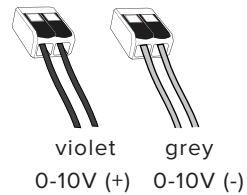
Connect the other end
of the extension harness
to AC input wires
of the driver.



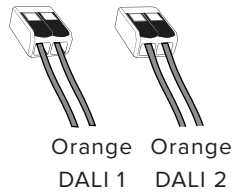
11 mm

Dimming wiring
(if equipped)
If not using, cap
wires individually.

0-10V Dimming (if equipped)

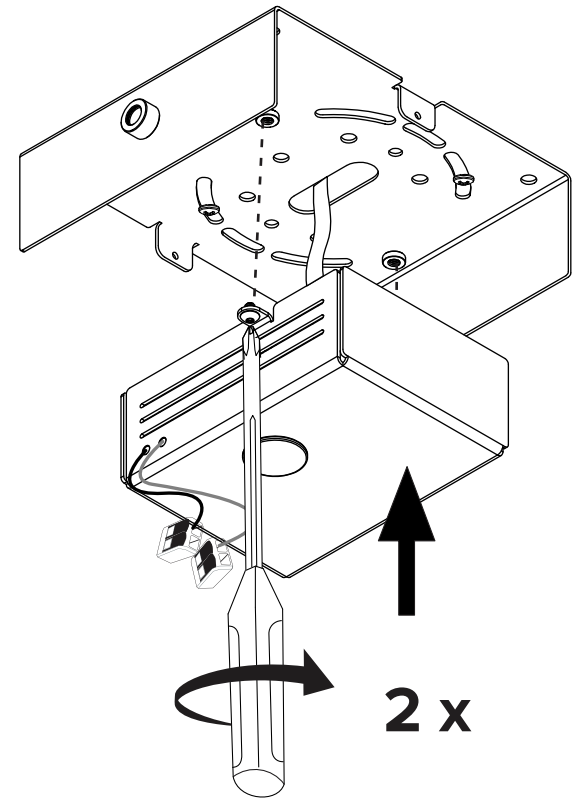


DALI Dimming (If equipped)



10

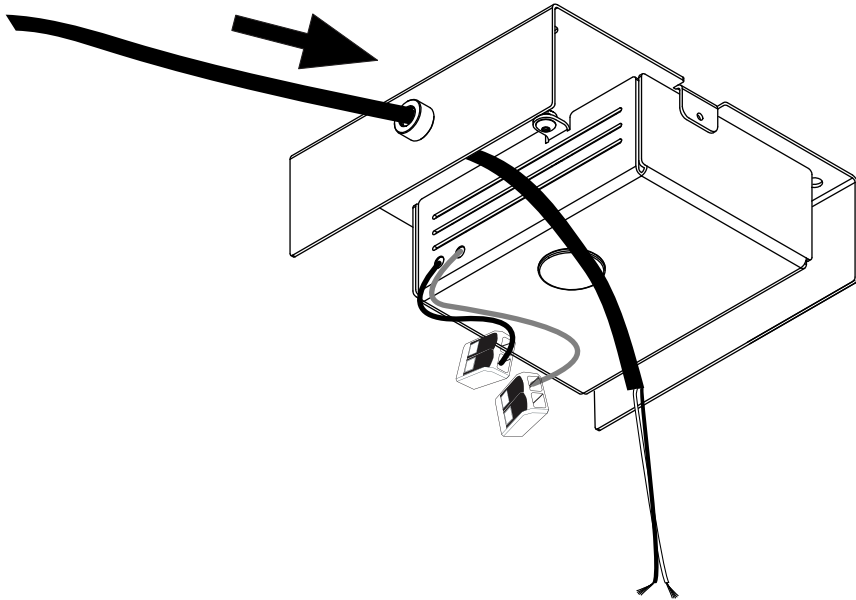
Carefully close
driver enclosure. It is
held by two screws.



Ensure no wires
are clipped or pinched
during these steps.

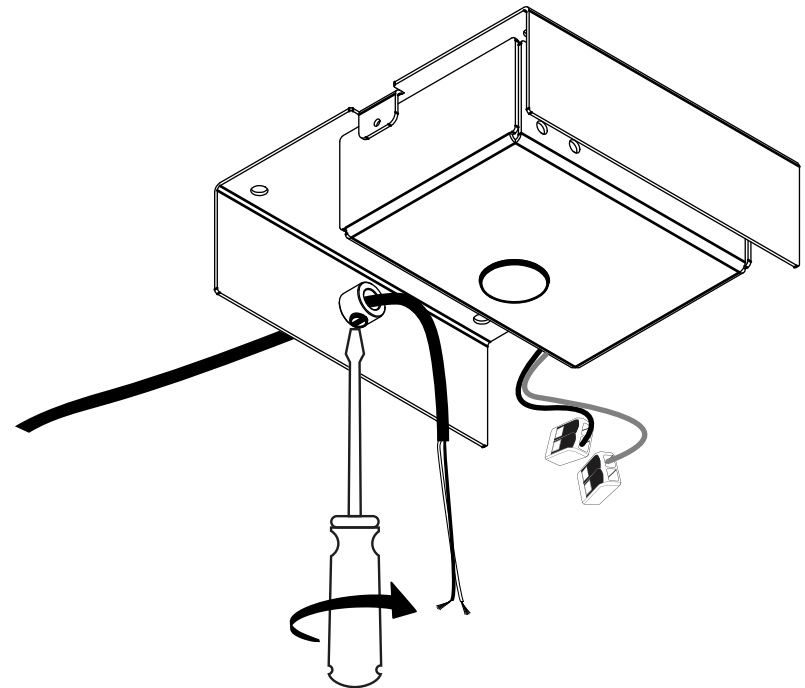
11

Feed luminaire cord into the canopy strain relief.



12

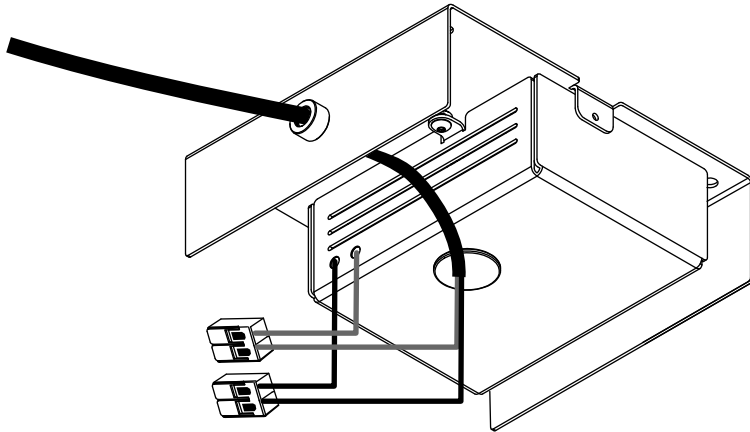
Tighten strain relief set screw when desired cord length is reached.



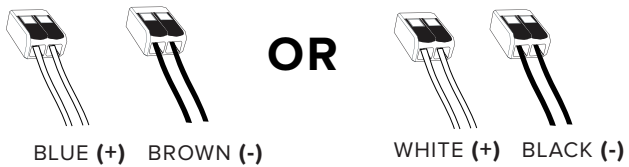
*screw gently but firmly

CONNECT LUMINAIRE CORD TO DRIVER DC WIRES

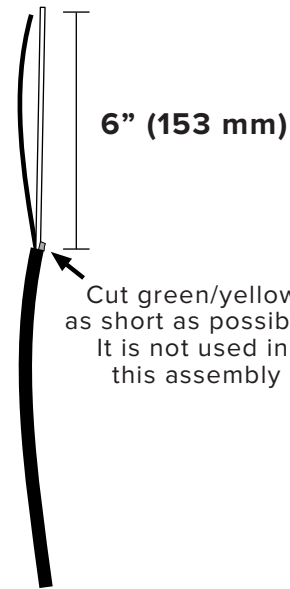
13



Depending on your location,
the luminaire cord will either be
Blue (+) and brown (-)
or
White (+) and Black (-)

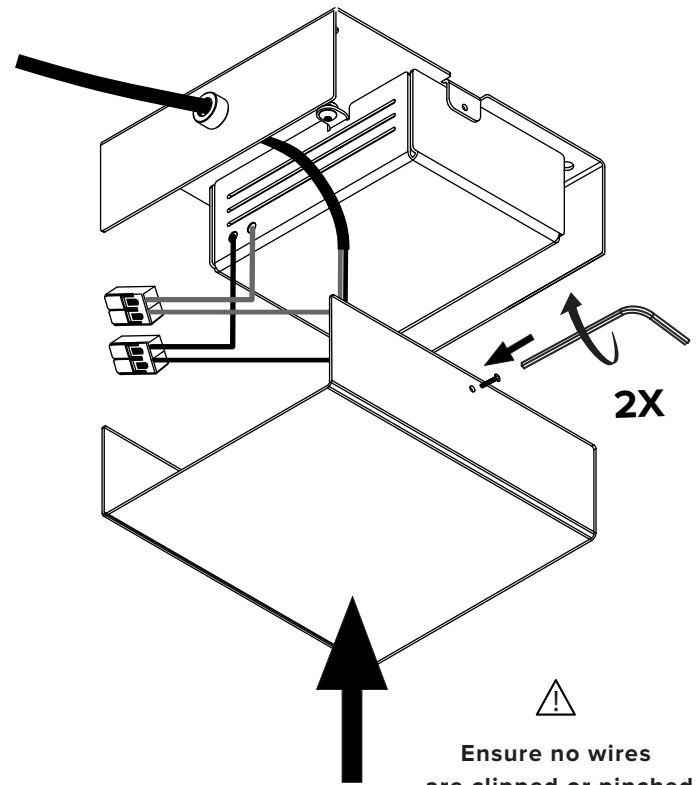


Trim end of cord
to resemble this.



14

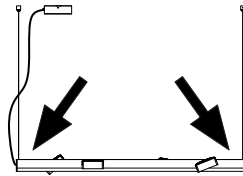
Close housing.
The canopy cover is secured
in place by a magnet or two screws
depending on your model
and location.



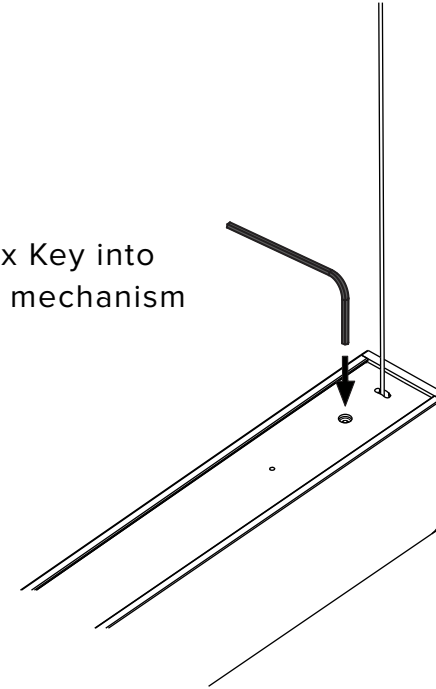
Ensure no wires
are clipped or pinched
during this step.

15

Your luminaire should be perfectly balanced. However, should adjustments be needed, use the supplied hex key in the adjustment mechanism.



Insert Hex Key into adjustment mechanism



Moving the hex key will shift the lamp body left or right in order to balance it.

Repeat on opposite side if necessary.

