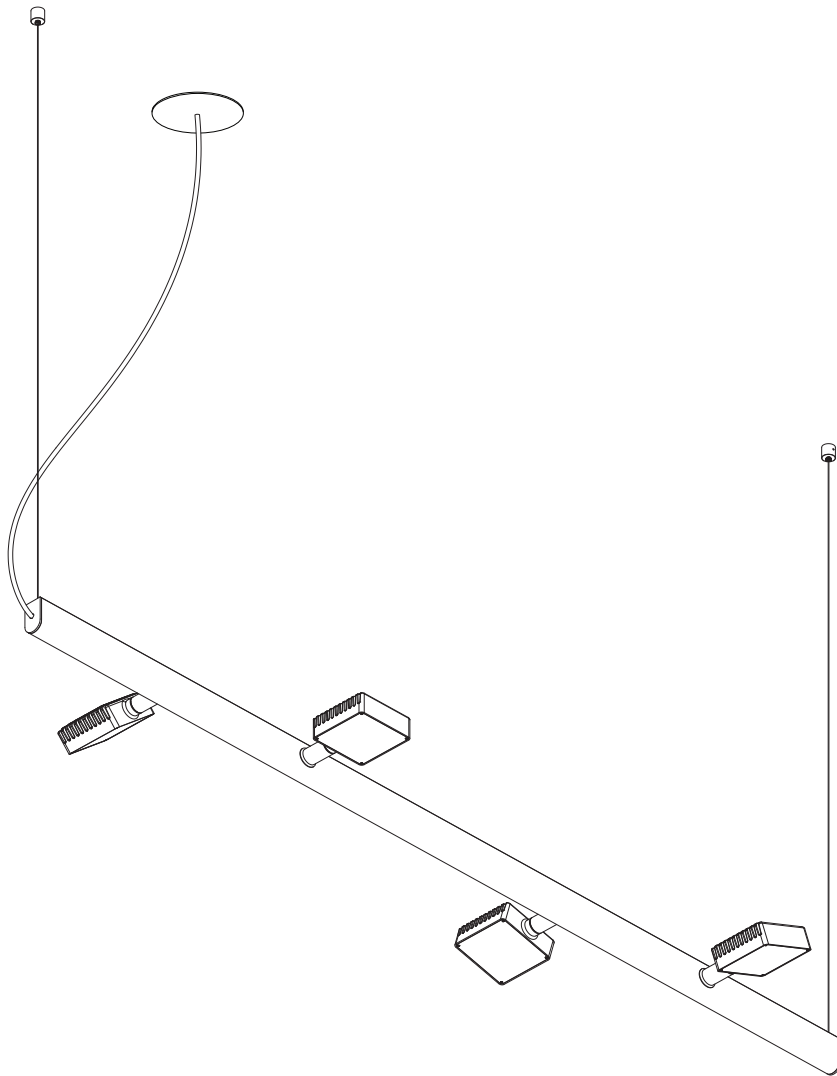

DORVAL 220-240V

Recessed canopy
Plenum (non insulated) or remote installation



- Please read entire manual before beginning installation
- To be installed by an electrician
- Use appropriate screws and anchors where necessary
- Wear enclosed gloves when handling lamp
- Handle materials with care. Please consult lamp maintenance sheet on our web site

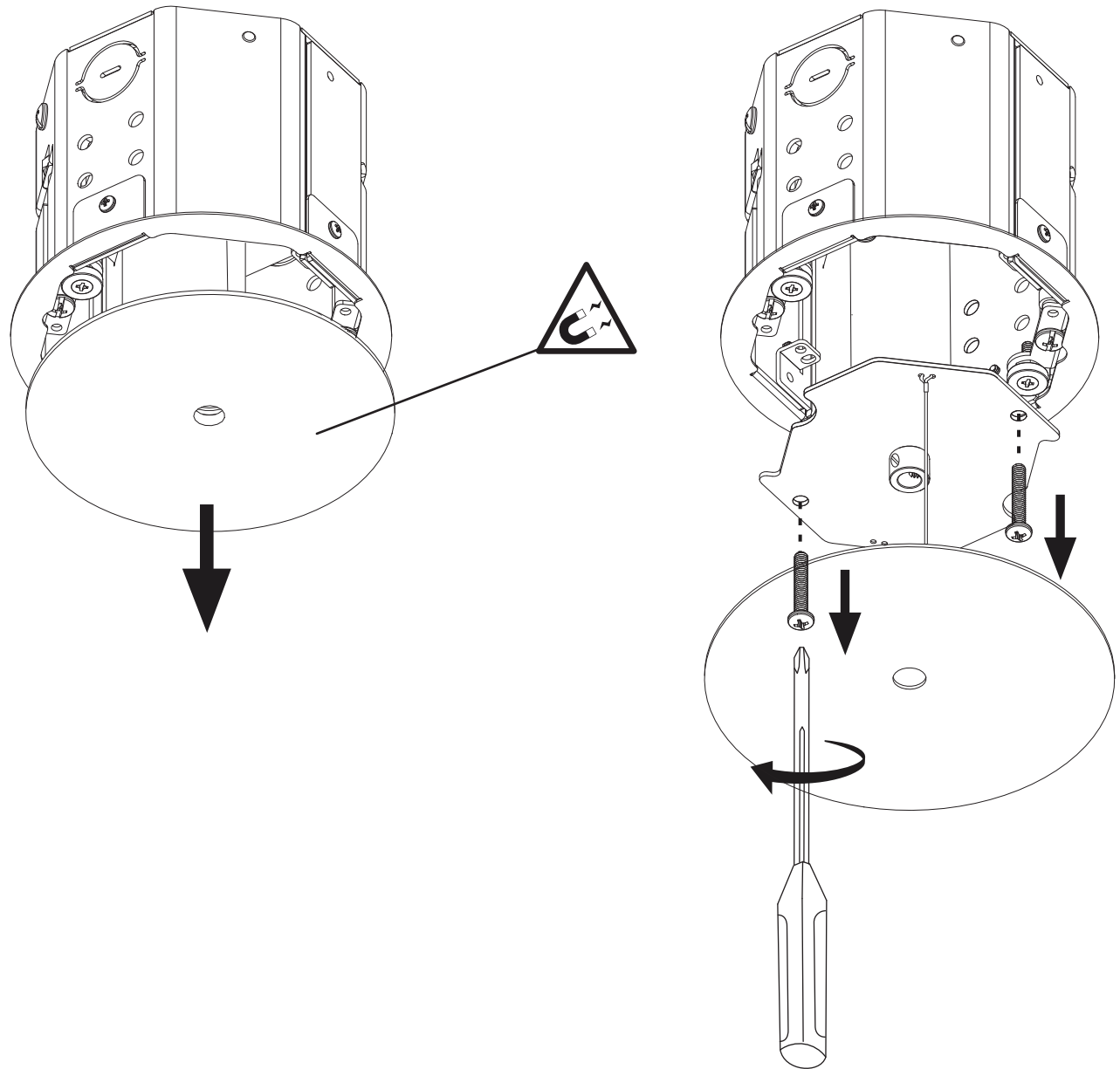


Never turn on power supply
until installation is completed

1

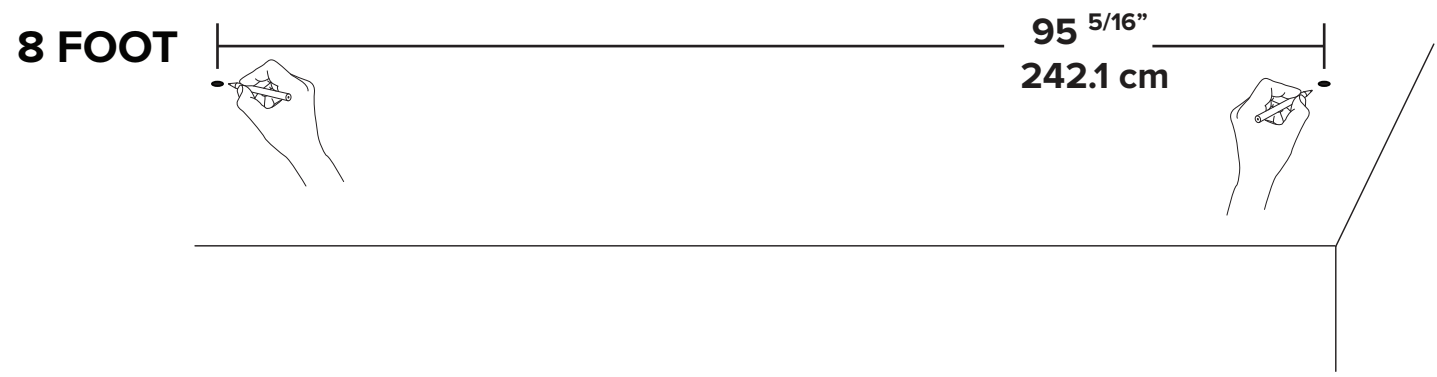
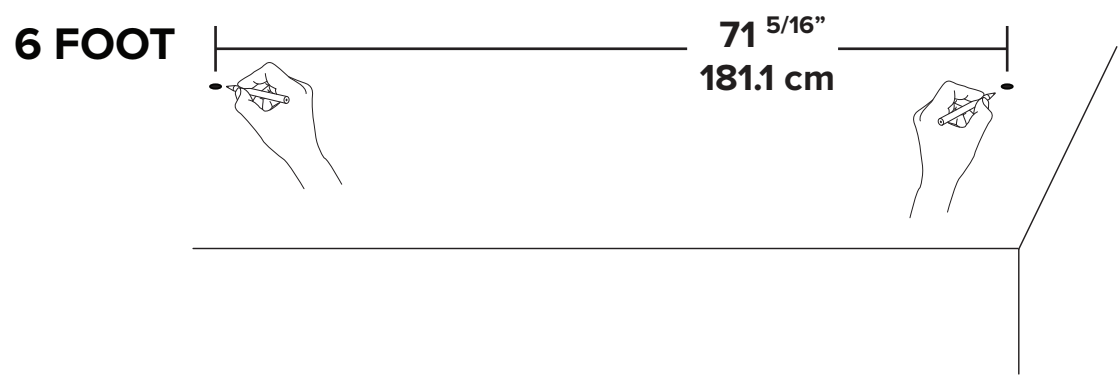
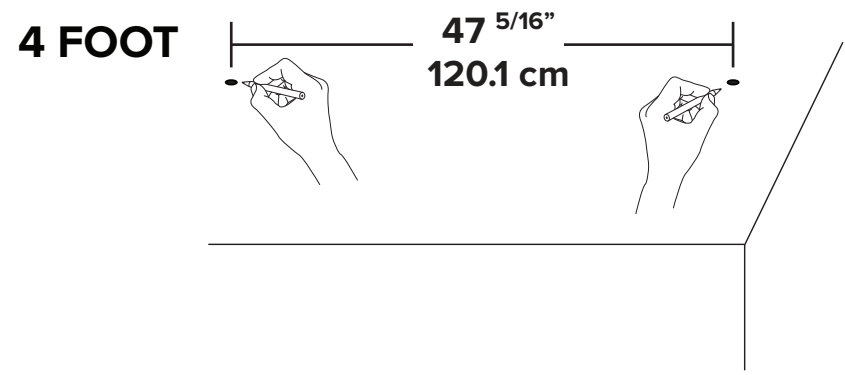
Remove Octobox cover plate
and strain relief plate. It is held in
place by two screws.

Refer to:
Annex (independent driver) - page 8

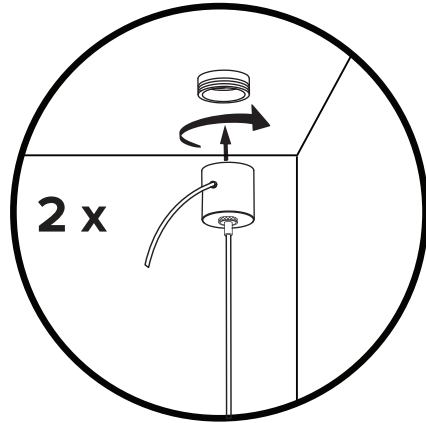
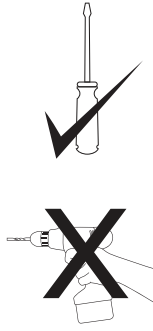
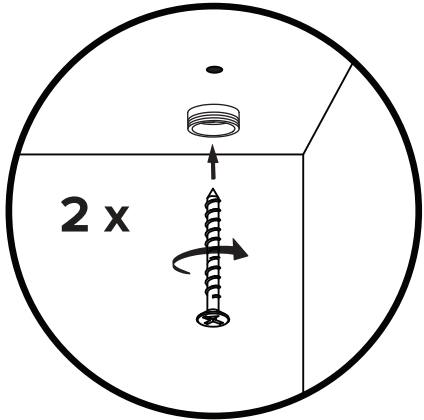


2

Mark your anchor points on the ceiling according to your model

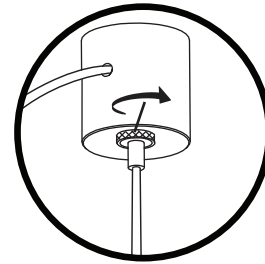
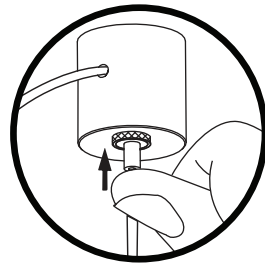
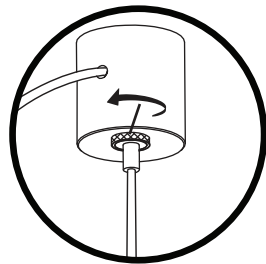


3

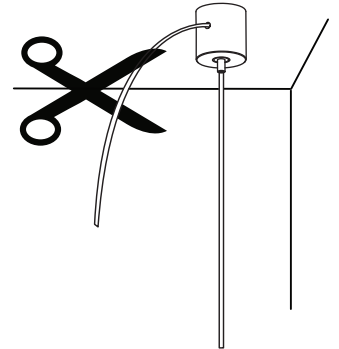
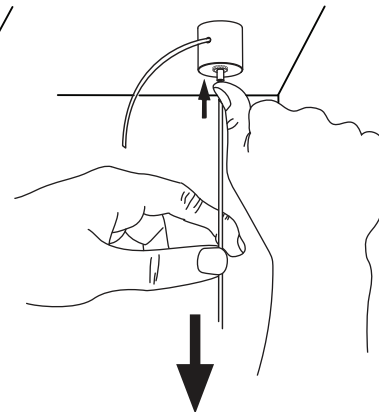
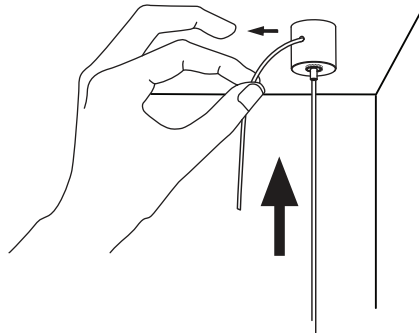
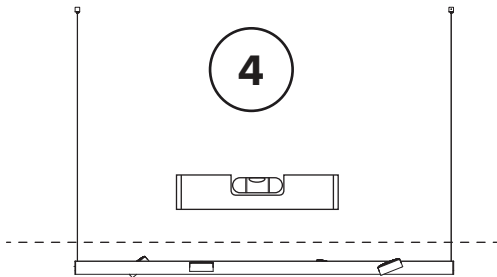


Make sure you use appropriate anchors and screws for your ceiling material and luminaire weight.

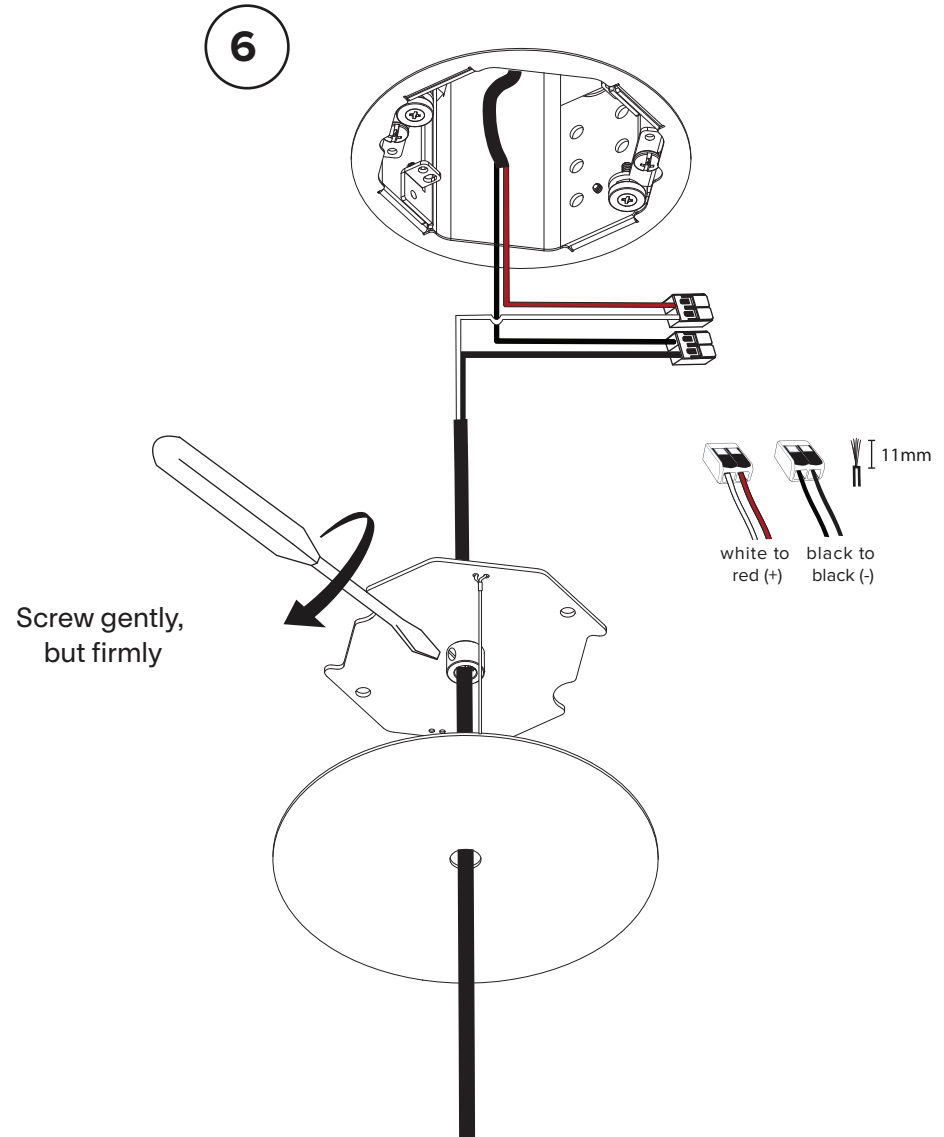
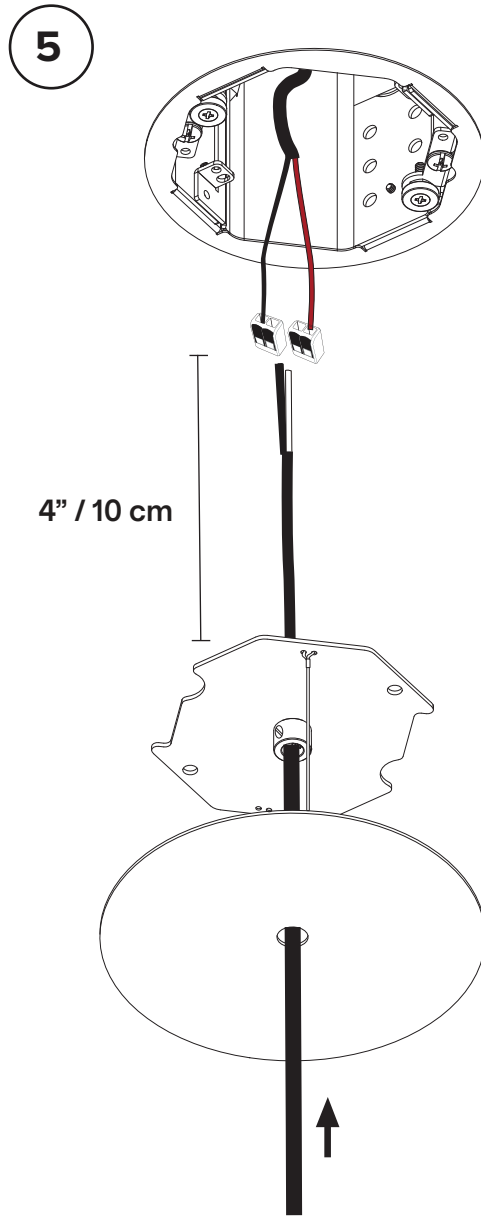
4 FOOT	uplight	12.5lbs / 5.7kg
	no uplight	11.9lbs / 5.4kg
6 FOOT	uplight	13.3lbs / 6kg
	no uplight	12.7lbs / 5.8kg
8 FOOT	uplight	14.4lbs / 6.4kg
	no uplight	13.5lbs / 6.1kg



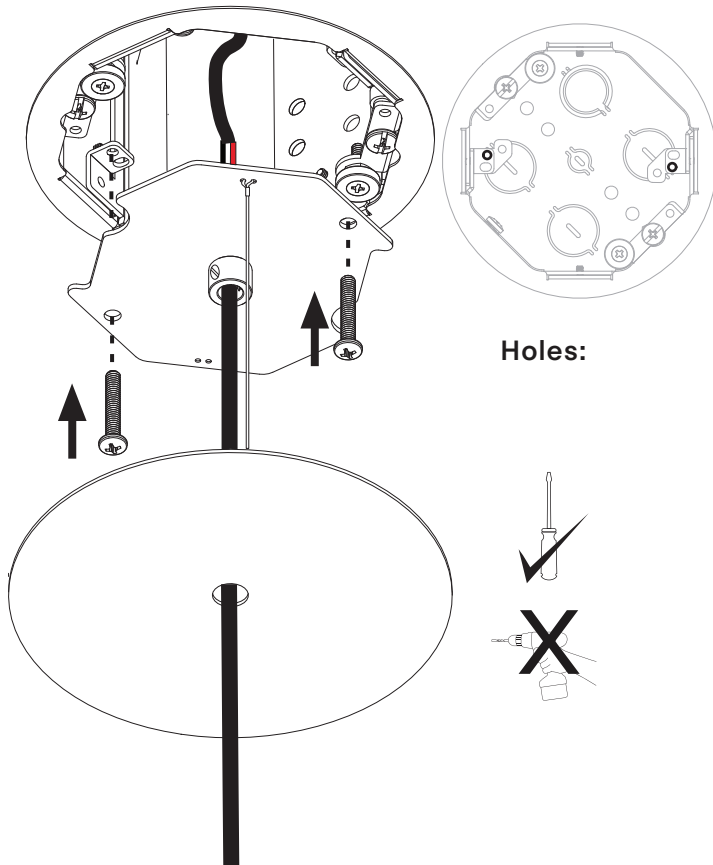
Cut cable after installation is complete and luminaire is level.



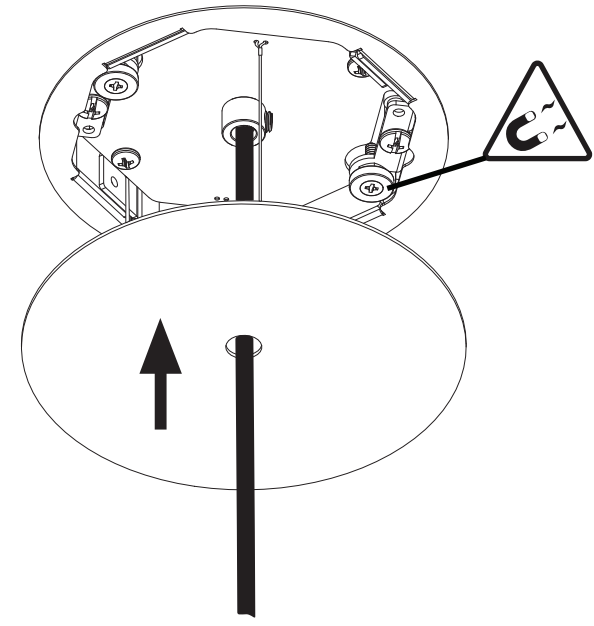
Steps to be completed AFTER steps
in recessed canopy annex



7



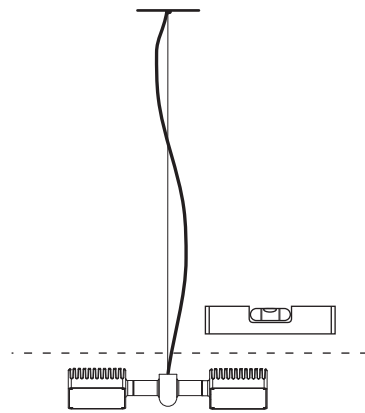
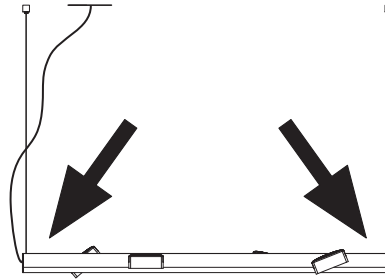
8



Make sure cover plate is centered on the junction box

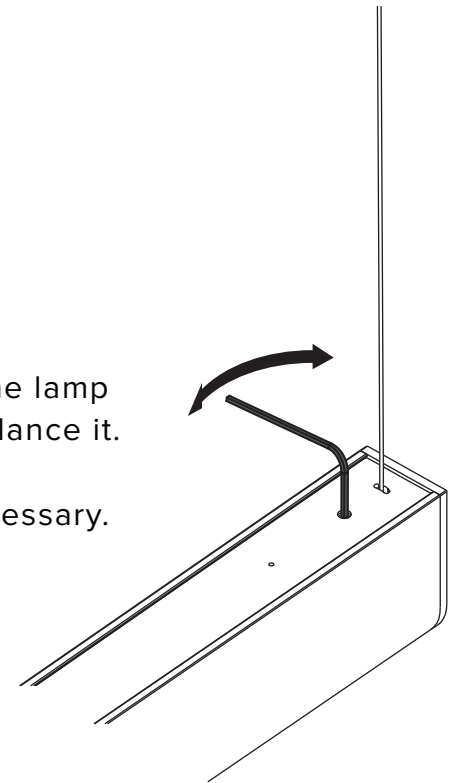
9

Your luminaire should be perfectly balanced. However, should adjustments be needed, use the supplied hex key in the adjustment mechanism.



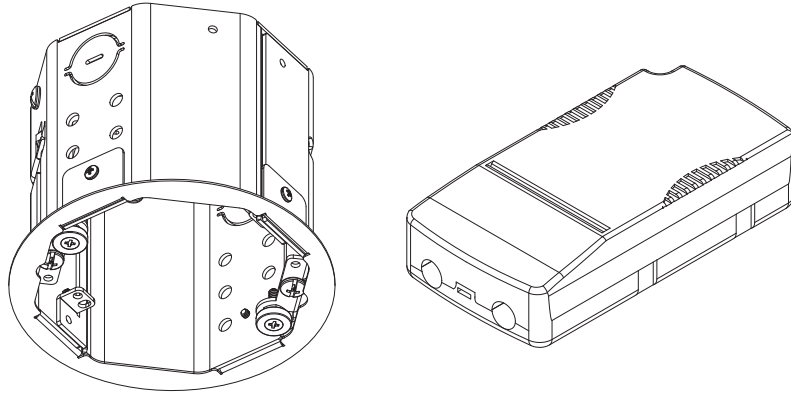
Moving the hex key will shift the lamp body left or right in order to balance it.


Repeat on opposite side if necessary.



RECESSED CANOPY INSTALLATION

Octobox with independent driver

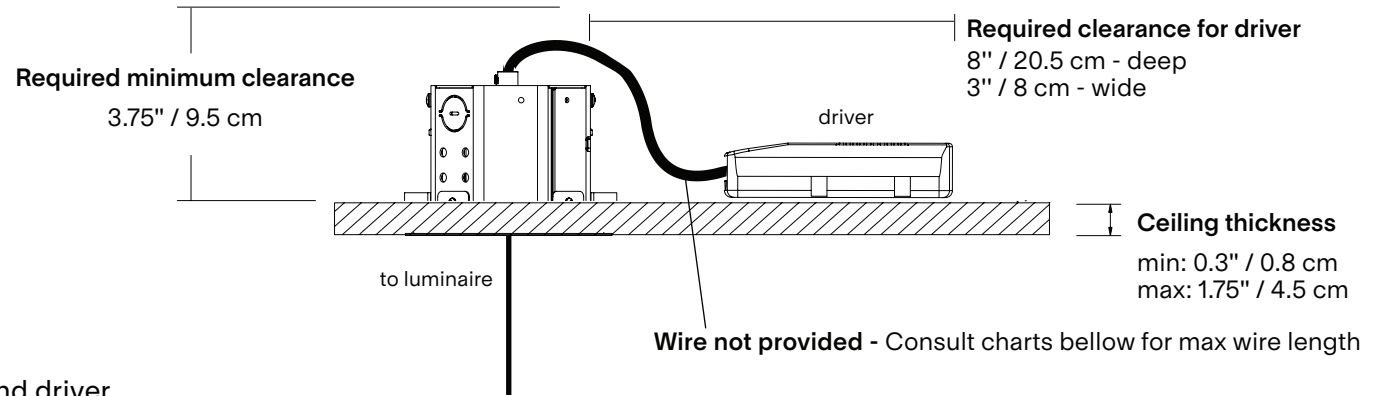




- Please read entire manual before beginning installation
- To be installed by an electrician
- Use appropriate screws where necessary
- For non-insulated hollow ceiling
- Wires for plenum not provided



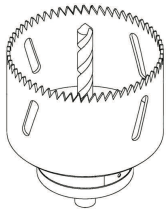
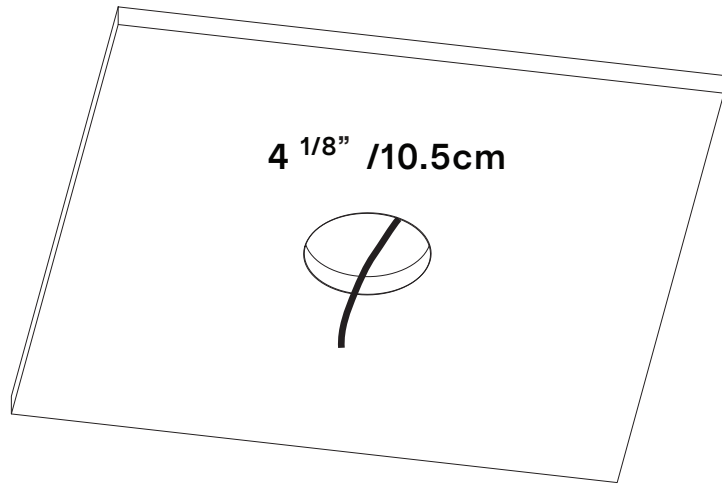
For remote driver installation
Consult chart below for max wire length.



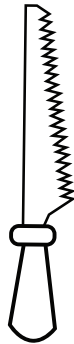
Distance between lamp and driver.

Wire gauge	Max Distance
18AWG	64.6 ft / 19.7m
16AWG	102.7 ft / 31.3m
14AWG	163.3 ft / 49.8m
12AWG	259.7 ft / 79.1m

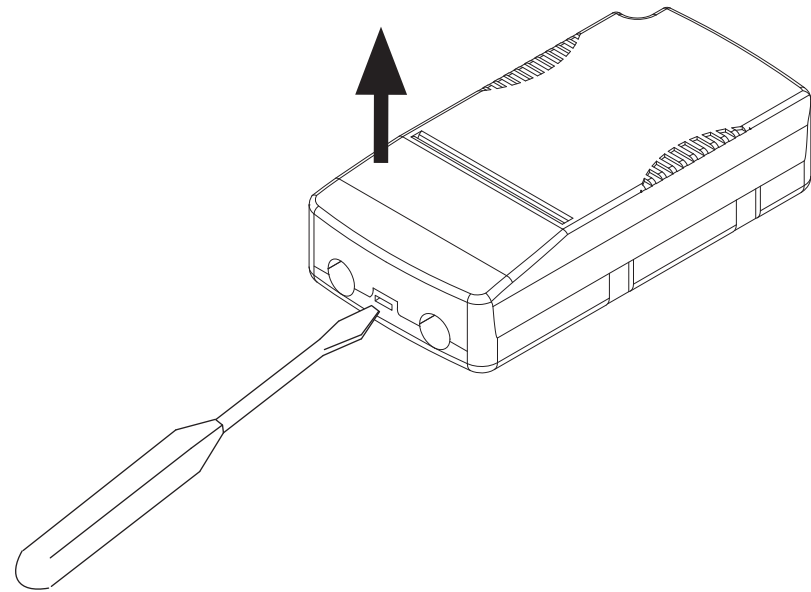
1

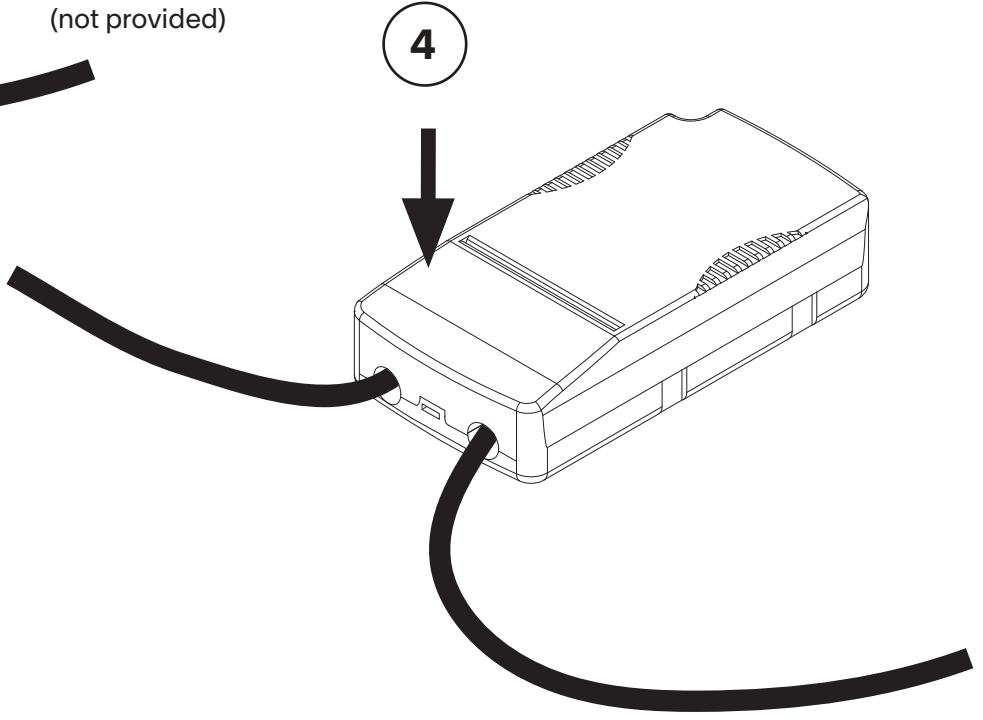
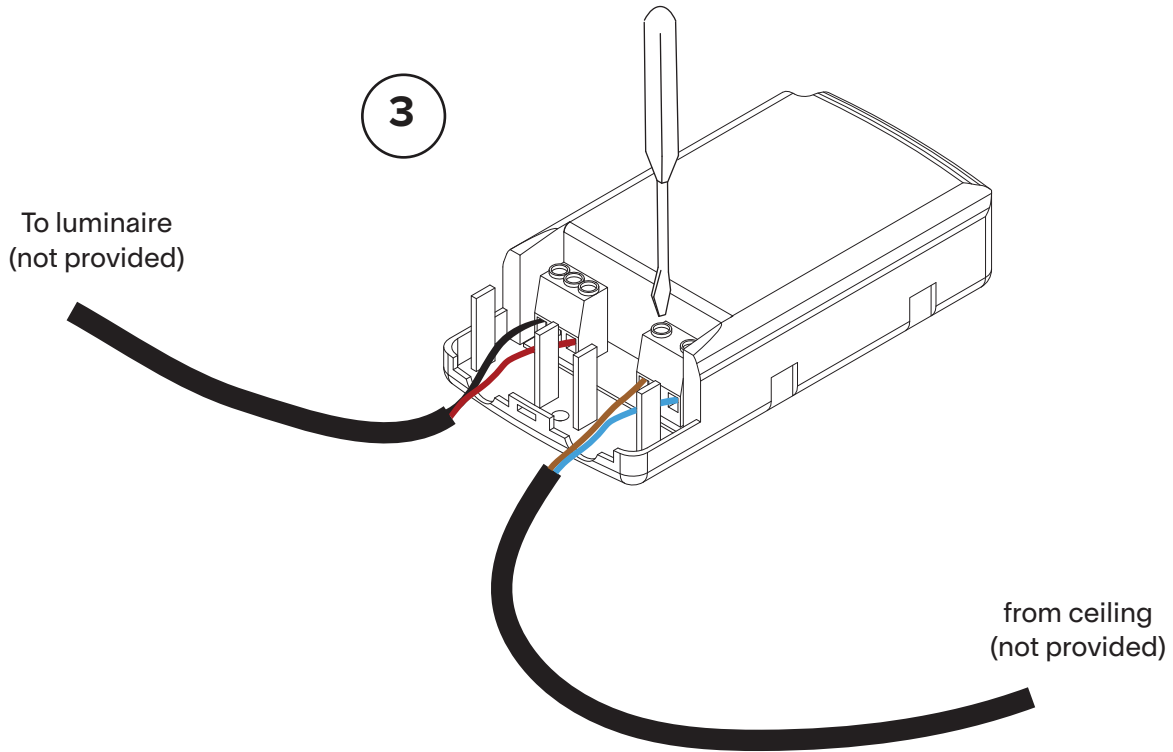


or



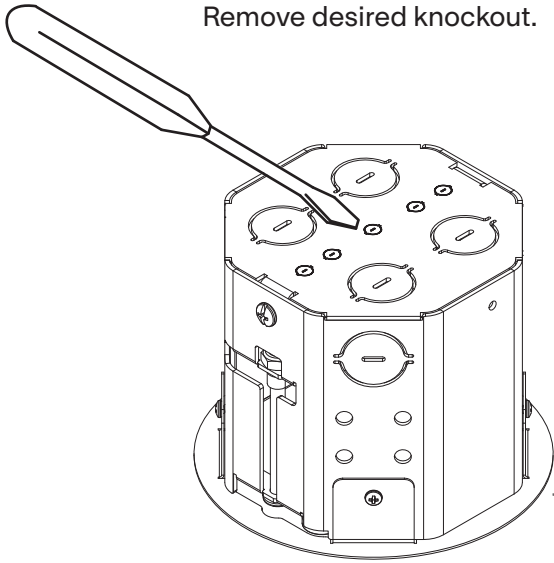
2



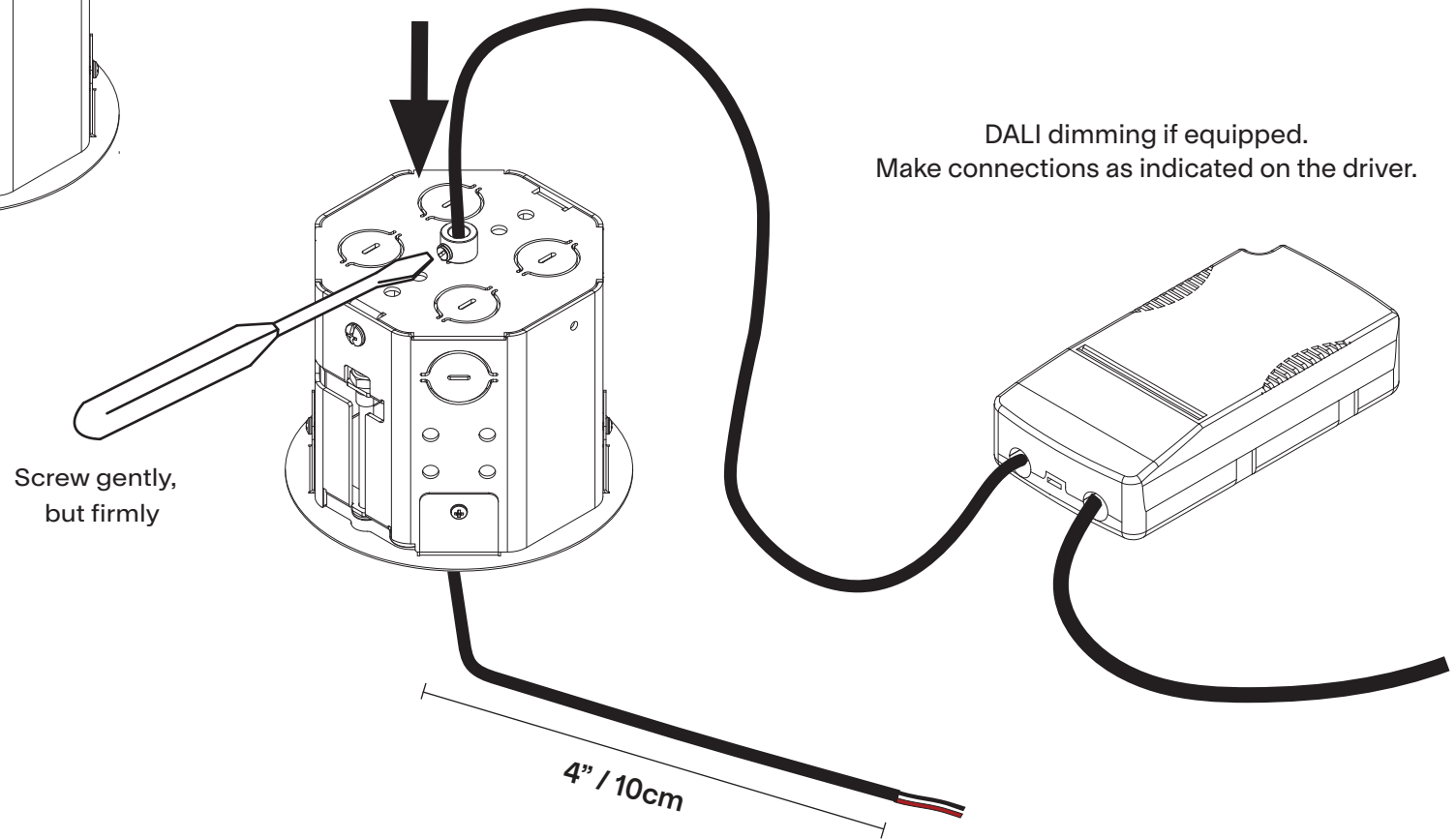


5

Remove desired knockout.



Use appropriate strain relief (not provided) depending on your wire gauge.

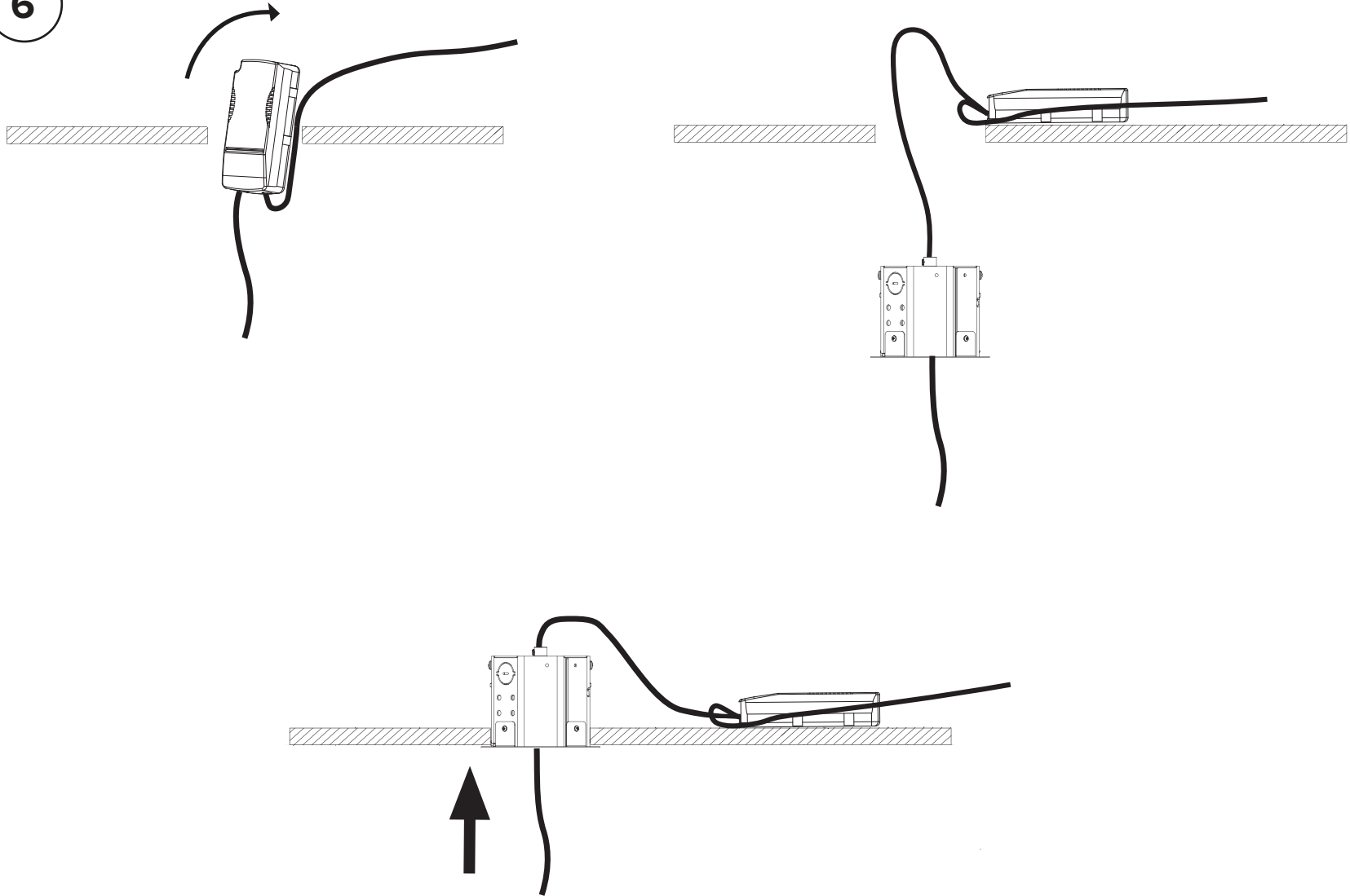


DALI dimming if equipped.
Make connections as indicated on the driver.

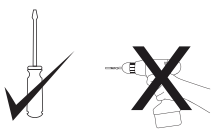
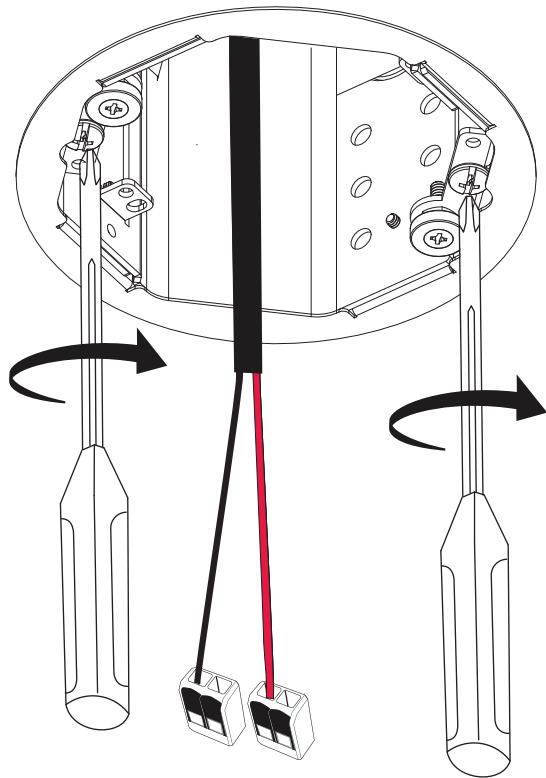
Screw gently,
but firmly

4" / 10cm

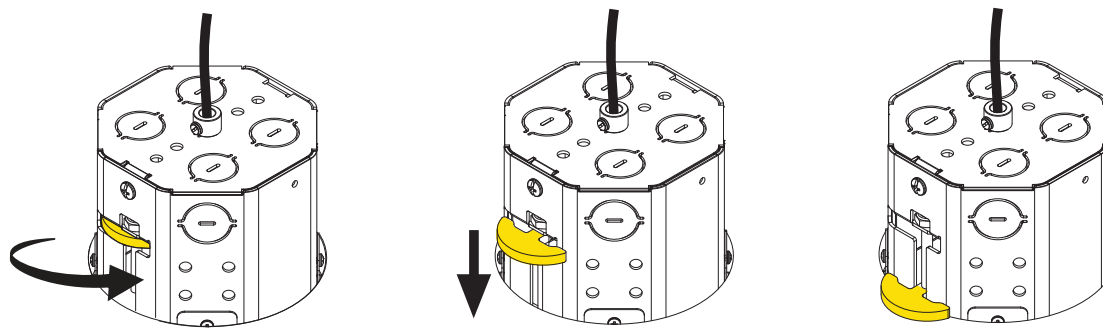
6



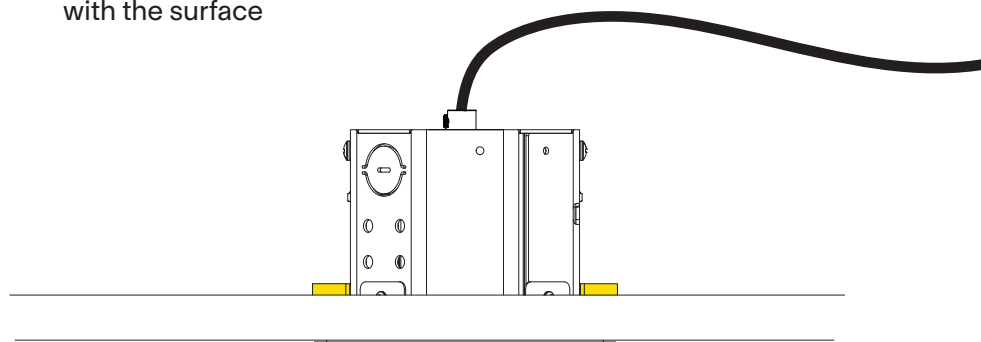
7



View from above



Stop when arms make contact with the surface



8

The recessed canopy is now installed, return to luminaire installation steps and follow the instructions (page 3).