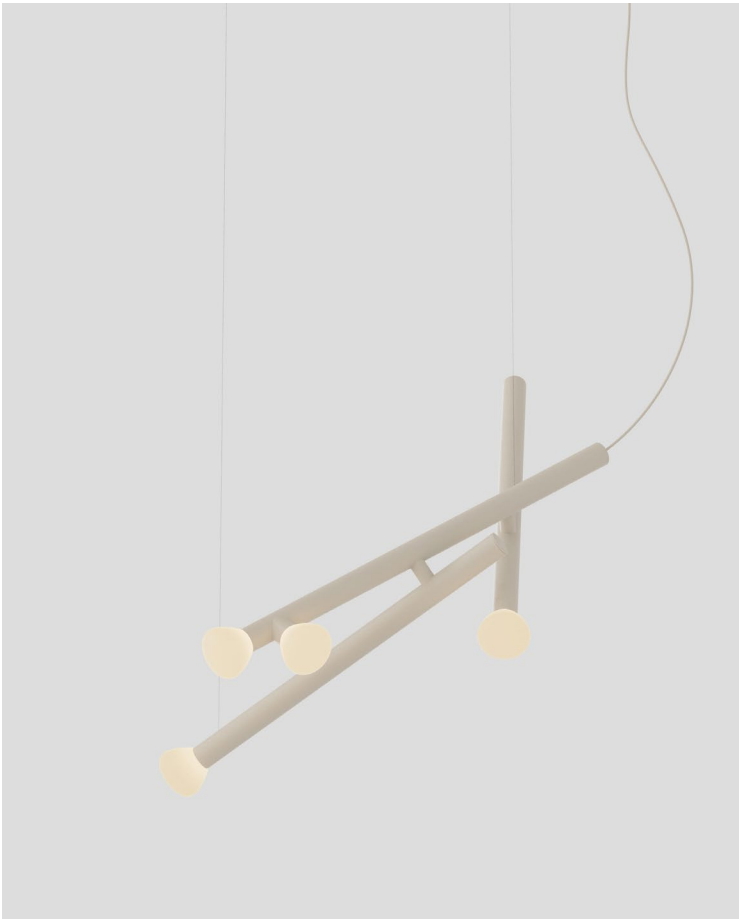



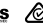


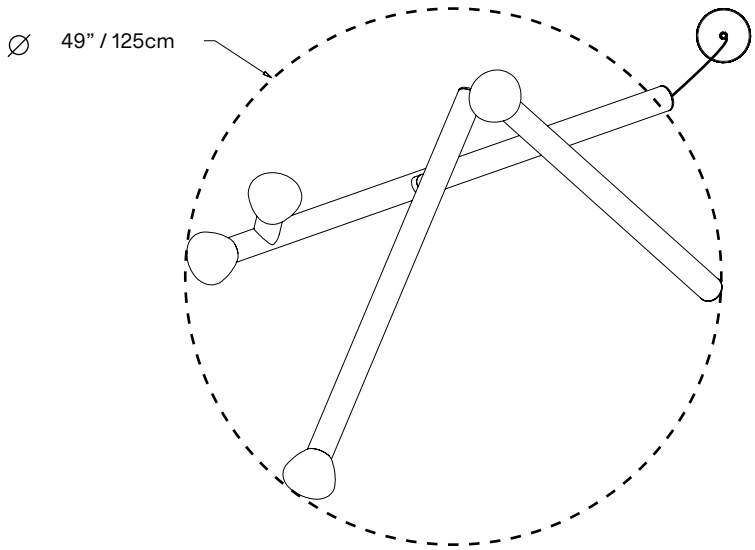
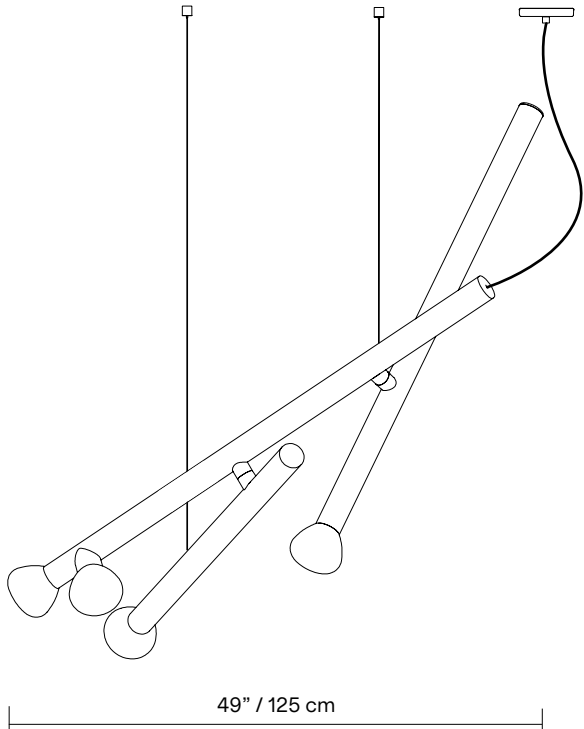
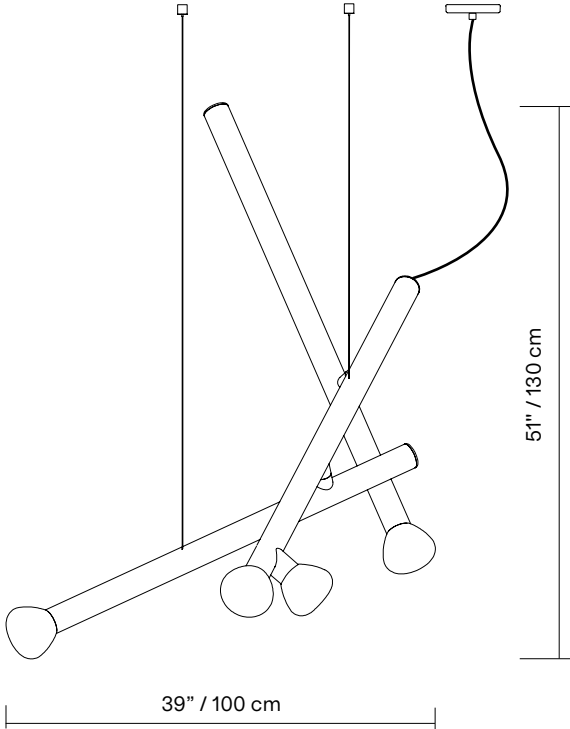
PARC ATELIER 01



This extended Parc model plays with the proportions between the tubes and the globes, allowing for a bolder yet still playful piece, reminiscent of a dancer's legs in mid-air - it fills a room while never overpowering it. The Parc Atelier 01 not only exudes elegance but will truly sing in larger spaces with higher ceilings.

Parc Collection is a collaboration with designer Adrien Rovero.

TYPE	Pendant
CONSTRUCTION	Hand blown frosted glass Powder coated aluminum body Polyester cord
SPECIFICATIONS	Source: LED lamp provided (G9 base) power consumption: 4x 4.5W lumen output: 1276lm Colour temperature: 2700K included *3000K available upon request Colour rendering index: 80 CRI standard * ≥ 90 CRI upon request expected lifetime: 25 000h
CONTROL	Refer to our recommended list of dimmer models on page 5
CORD LENGTH	120" / 305 cm
STAINLESS STEEL CABLE LENGTH	96" / 244 cm
WEIGHT	19.5lb / 8.6kg
CERTIFICATIONS	    IP20
WARRANTY	2 years



FINISH



BH
Textured
beige



BK
Textured
black

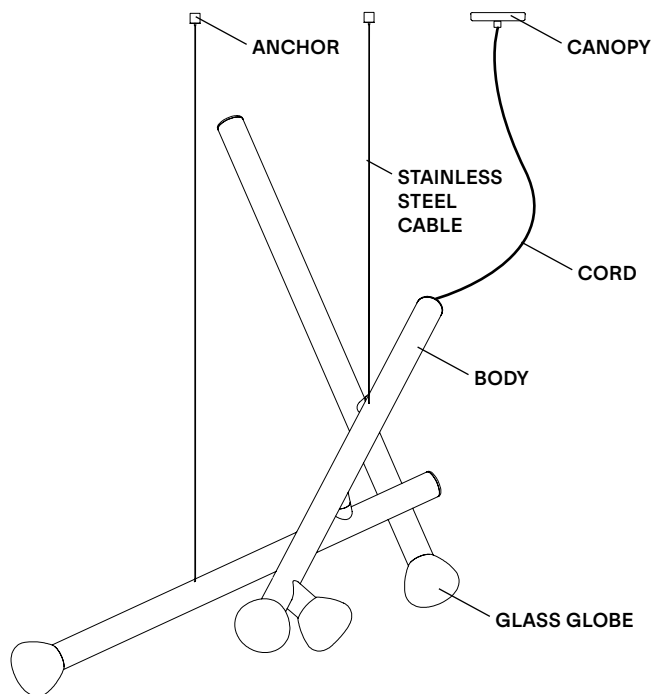


WH
Textured
white

NOTES

- Must be installed by an electrician
- Not protected against liquids (refer to IP20)
- Additional charges for modifications or for special orders
- Please refer to maintenance sheet on our website for cleaning instructions
- Ceiling anchors not meant for slanted ceilings (available upon request)

LAMP ANATOMY



		Example	Fill with your selection
COLLECTION	PRC Parc	PRC	PRC
MODEL	51	51	51
BODY	BG Beige CC Custom colour*	BG	BG
CORD	BG Beige CC Custom colour*	BG	BG
CANOPY AND ANCHORS	BG Beige BK Textured black WH Textured white CC Custom colour*	BK	
FULL SKU		PRC51BGBGBG	
		NOTES	

*Custom colour available upon request. Material library on website.

DIMMER LIST COMPATIBILITY FOR G9 LED BULBS – 120V

The dimming technology offering the best results is ELV (electronic low voltage) dimmers with reverse phase or trailing edge control.

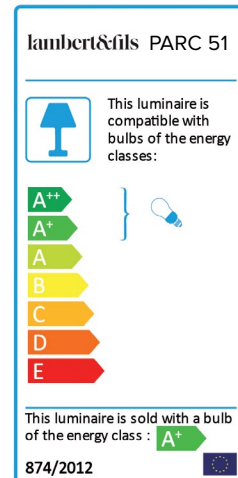
DIMMER BRAND	MODEL	MIN LEVEL	MAX LEVEL	FLICKERING
Lutron - Maestro	MAELV600	0-10%	100%	Good
Lutron - Skylark	SELV300P	no	100%	Very good
Lutron - Skylark	SELV303P	no	100%	Very good
Lutron - Skylark	CTELV-303P	no	100%	Very good
Lutron - Diva	DVELV-300P	no	100%	Very good
Legrand - Adorne	TRUE UNIVERSAL	100%	30%	Good

DIMMER LIST COMPATIBILITY FOR G9 LED BULBS – 230V

DIMMER BRAND	MODEL	MIN LEVEL	MAX LEVEL	FLICKERING	OVERALL QUOTE
Varilight	V-PRO	2%	100%	No	Very good
Legrand-Niloé	3 996 35	15%	87%	No	Good
Niko	310-0280X	5%	94%	No	Very good
Niko	310-0190X	1%	100%	No	Very good

*Other dimmers can yield good results and we recommend conducting your own test before final installation.

EU ENERGY LABEL



Some dimmers require a minimum load, check specifications.

*Other dimmers that specify LED lamp compatibility may operate without issue.

We recommend conducting your own test before final installation.

**Leading edge is also known as TRIAC or Forward Phase.

Trailing edge is also known as ELV or Reverse Phase.