
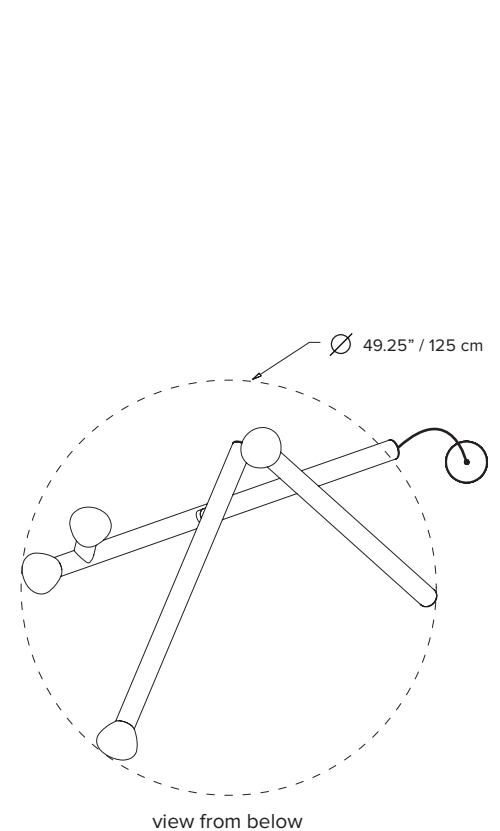
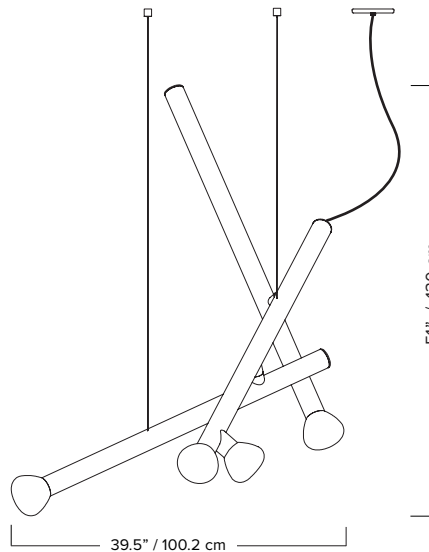
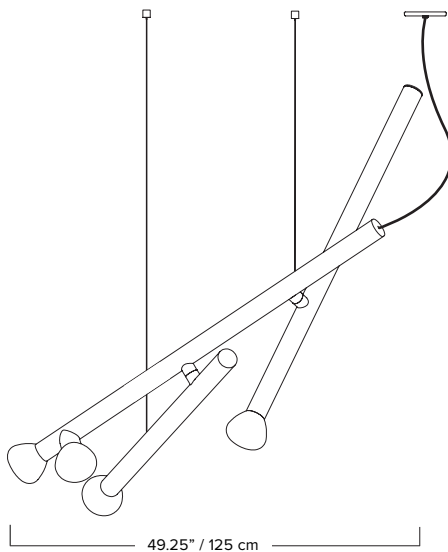


PARC ATELIER 01

This extended Parc model plays with the proportions between the tubes and the globes, allowing for a bolder yet still playful piece, reminiscent of a dancer's legs in mid-air - it fills a room while never overpowering it. The Parc Atelier 01 not only exudes elegance but will truly sing in larger spaces with higher ceilings.

Parc Collection is a collaboration with designer Adrien Rovero.

type:	pendant
construction:	hand blown frosted glass powder coated aluminum body polyester cord
specifications:	source: LED lamp provided (G9 base) power consumption: 4x 4.5W lumen output: 1276lm colour temperature: 2700K included *3000K available upon request colour rendering index: 80 CRI standard * ≥ 90 CRI upon request expected lifetime: 25 000h
control:	refer to our recommended list of dimmer models
cord length:	120" / 305 cm
stainless steel cable length:	96" / 244 cm
weight:	19.5lb / 8.6kg
certifications:	
warranty:	2 years



*dimensions are approximate and may vary slightly

ORDER GUIDE: SKU

<u>COLLECTION</u>	<u>MODEL</u>	<u>BODY</u>	<u>CORD</u>	<u>CANOPY AND ANCHORS</u>
PRC parc	51	BG beige	BG beige	BG beige
				BK black
				WH white
PRC	51	BG	BG	BG = PRC51BGBGBG example

FINISH



textured
beige

CANOPY AND ANCHOR



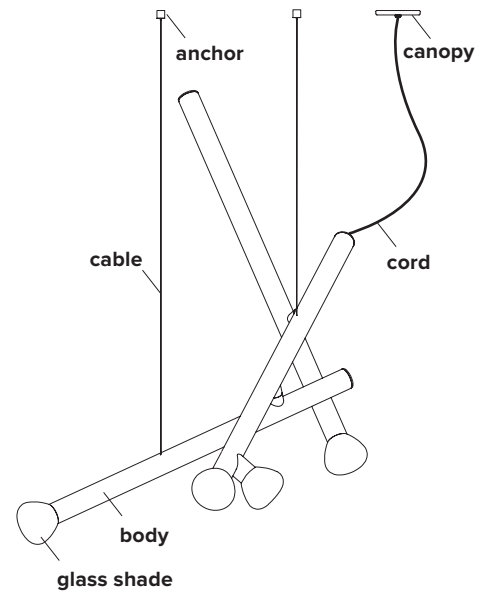
textured
black



textured
white

NOTES:

- must be installed by an electrician
- ceiling anchors not meant for slanted ceilings (available upon request)
- not protected against liquids (refer to IP20)
- additional charges for modifications or for special orders
- please refer to maintenance sheet on website for cleaning instructions



DIMMER SPECIFICATIONS

DIMMER LIST COMPATIBILITY FOR G9 LED BULBS – 120V

The dimming technology offering the best results is ELV (electronic low voltage) dimmers with reverse phase or trailing edge control.

DIMMER BRAND	MODEL NUMBER	MIN LEVEL	MAX LEVEL	FLICKERING	OVERALL QUOTE
LUTRON - MAESTRO	MAELV-600	0%	100%	0%-10%	good
LUTRON - SKYLARK	SELV-300P	0%	100%	no	very good
LUTRON - SKYLARK	SELV-303P	0%	100%	no	very good
LUTRON - SKYLARK	CTELV-303P	0%	100%	no	very good
LUTRON - DIVA	DVELV-300P	0%	100%	no	very good
LEGRAND - ADORNE	TRUE UNIVERSAL	30%	100%	no	good