






# BEAUBIEN ATELIER 05

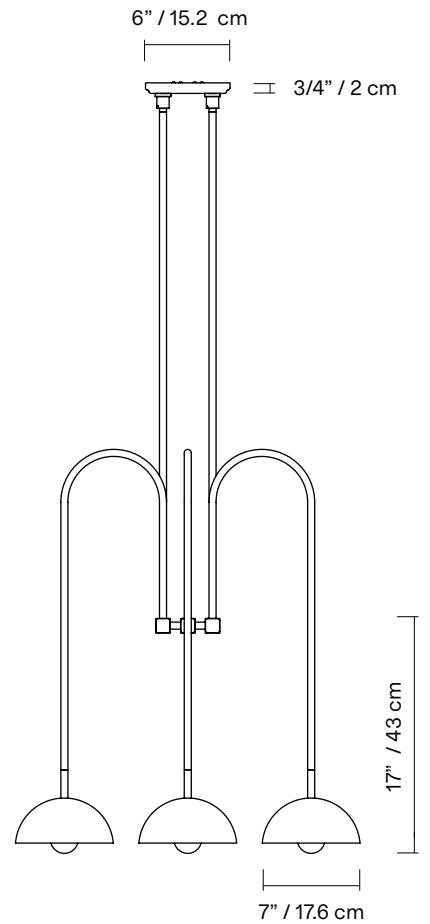
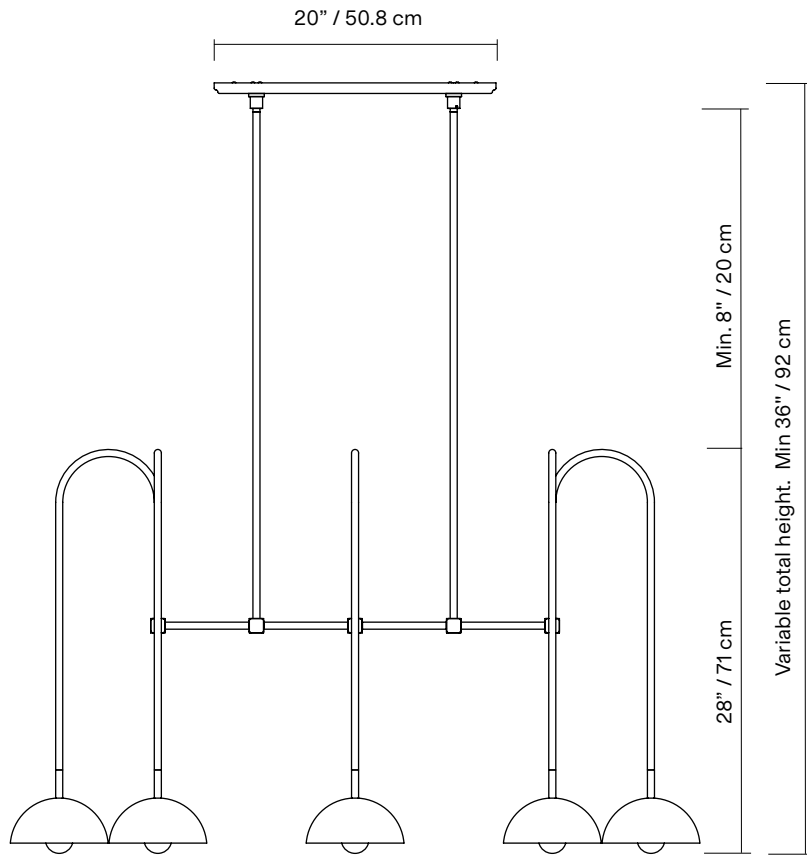
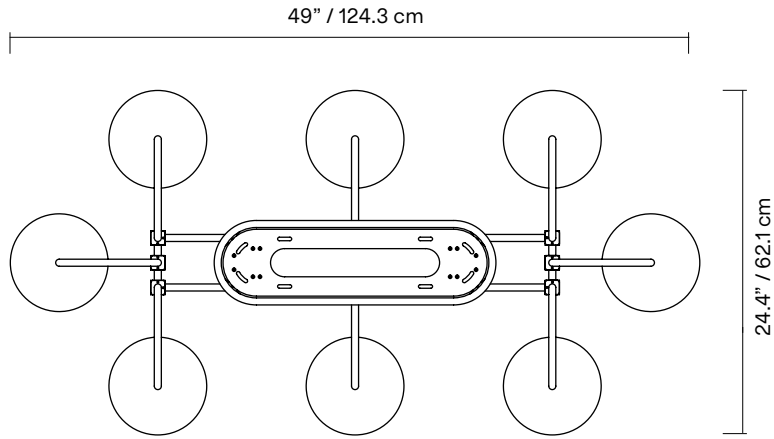


The Beaubien Atelier is a bold, ornamental suspension lamp that adds a maximalist touch to the minimalist spirit of the original collection. Inspired by the romance of Art Nouveau with a hint of industrial influence, and punctuated by a decorative pattern, the Beaubien Atelier adds a touch of grandeur and opulence to any space.

<b>TYPE</b>	Suspension
<b>CONSTRUCTION</b>	Powder coated aluminum and steel body Powder coated aluminum shades Brass hardware Milk glass globes
<b>SPECIFICATIONS</b>	Source: LED lamp provided (G9 base) Power consumption: 8 x 3.5W Lumen output: 1440lm  Colour temperature: 2700K included * 3000K available upon request Colour rendering index: 90 CRI standard Expected lifetime: 25 000h
<b>CONTROL</b>	Refer to our recommended list of dimmer models
<b>TOTAL HEIGHT</b>	Custom
<b>WEIGHT</b>	Min. 22 lb / 10 Kg
<b>CERTIFICATIONS</b>	     IP20
<b>WARRANTY</b>	2 years

## NOTES

- Luminaire total height (ceiling to lowest point of luminaire)  
Min - 36" / 92 cm  
Max - variable, please specify
- Luminaire height is not adjustable on site
- Not available for slanted ceiling
- Dimensions are approximate and may vary slightly



## FINISH



**GE**  
Glossy  
elephant



**OB**  
Glossy  
oxblood

## HARDWARE

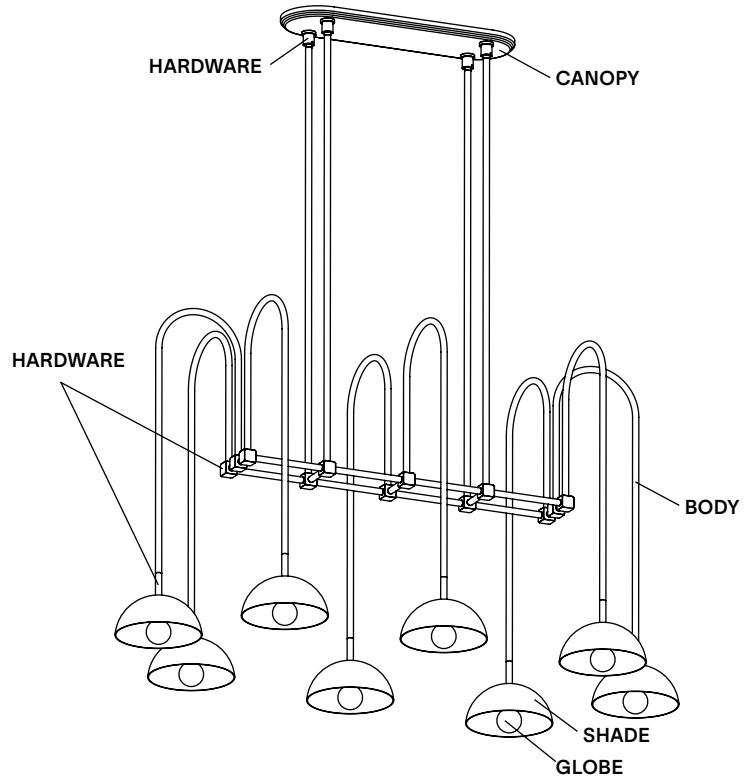


**BR**  
Brass

## NOTES

- Must be installed by an electrician
- Not protected against liquids (refer to IP20)
- Additional charges for modifications or for special orders
- Please refer to maintenance sheet on our website for cleaning instructions

## LAMP ANATOMY



		Example	Fill with your selection
<b>COLLECTION</b>	<b>BEA</b> Beaubien	<b>BEA</b>	<b>BEA</b>
<b>MODEL</b>	<b>55</b>	<b>55</b>	<b>55</b>
<b>FINISH</b>	<b>GE</b> Glossy elephant <b>OB</b> Glossy oxblood <b>CC</b> Custom colour*	<b>GE</b>	
<b>FULL SKU</b>		<b>BEA55GE</b>	
		<b>NOTES</b>	

\*Custom colour available upon request. Material library on website.

## TESTED DIMMER COMPATIBILITY LIST - 120V\*

Phase cut dimming (leading edge or trailing edge\*\*)

DIMMER BRAND	MODEL	MAX LEVEL	MIN LEVEL	DIMMING PROTOCOL
LUTRON - MAESTRO	MAELV-600	100%	0%	Phase Cut
LUTRON - SKYLARK	SELV-300P	100%	0%	Phase Cut
LUTRON - SKYLARK	SELV-300P	100%	0%	Phase Cut
LUTRON - SKYLARK	CTELV-303P	100%	0%	Phase Cut
LUTRON - DIVA	DVELV-300P	100%	0%	Phase Cut
LEGRAND - ADORNE	TRUE UNIVERSAL	100%	30%	Phase Cut

## TESTED DIMMER COMPATIBILITY LIST - 230V\*

Phase cut dimming (leading edge or trailing edge\*\*)

DIMMER BRAND	MODEL	MAX LEVEL	MIN LEVEL	DIMMING PROTOCOL
VARILIGHT	V-PRO	100%	2%	Phase Cut
LEGRAND - NILOÉ	3 996 35	87%	15%	Phase Cut
NIKO	310-0280X	94%	5%	Phase Cut
NIKO	310-0190X	100%	1%	Phase Cut

\*Other dimmers can yield good results and we recommend conducting your own test before final installation.

---

Some dimmers require a minimum load, check specifications.

---

\*Other dimmers that specify LED lamp compatibility may operate without issue.

---

We recommend conducting your own test before final installation.

---

\*\*Leading edge is also known as TRIAC or Forward Phase.

---

Trailing edge is also known as ELV or Reverse Phase.

---