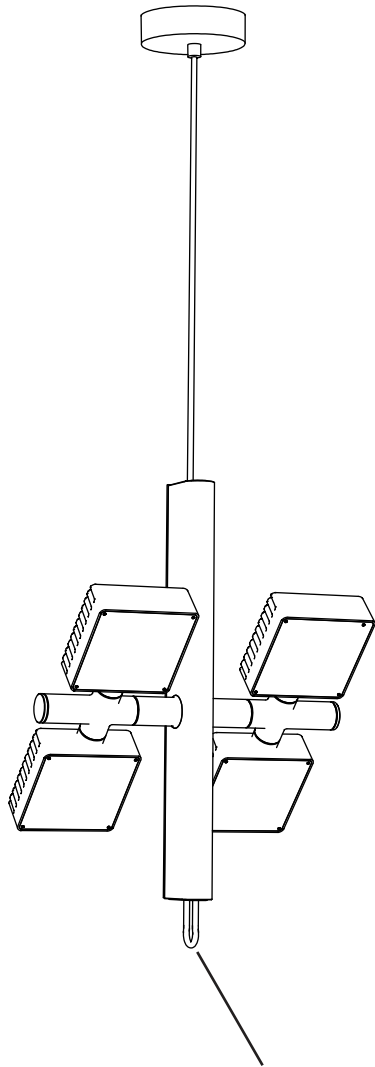


# DORVAL ATELIER



Never support by  
the bottom loop.



**Wear provided gloves when  
handling luminaire**



**We recommend keeping luminaire  
in protective wrapping until  
installation is complete**

**lambert&fils**



- Please read entire manual before beginning to install
- To be installed by an electrician to an electrical box
- LED may only be changed by Lambert & Fils or other authorized personnel
- Use appropriate screws where necessary
- Use appropriate anchors and ensure your electrical box can hold the luminaire's weight (35 lb / 16 kg).
- Wear enclosed gloves when handling lamp
- Handle materials with care. Please consult lamp maintenance sheet on our web site
- Micro-adjustment are not possible. The luminaire is preset to desired height.

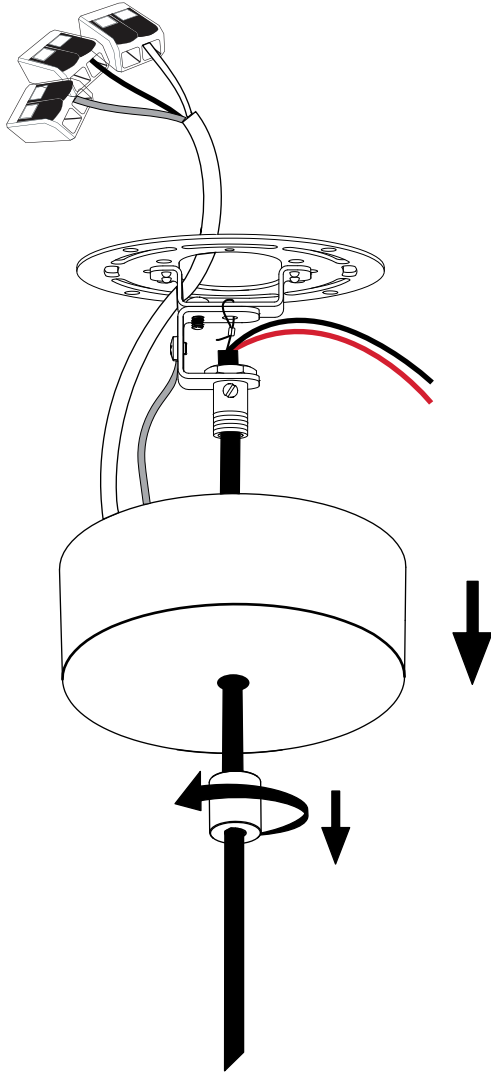


**NEVER TURN ON POWER SUPPLY  
UNTIL CONNECTIONS AND  
INSTALLATION ARE COMPLETED.  
DOING OTHERWISE COULD BE  
HARMFUL TO YOUR LUMINAIRE.**

# OPEN CANOPY

1

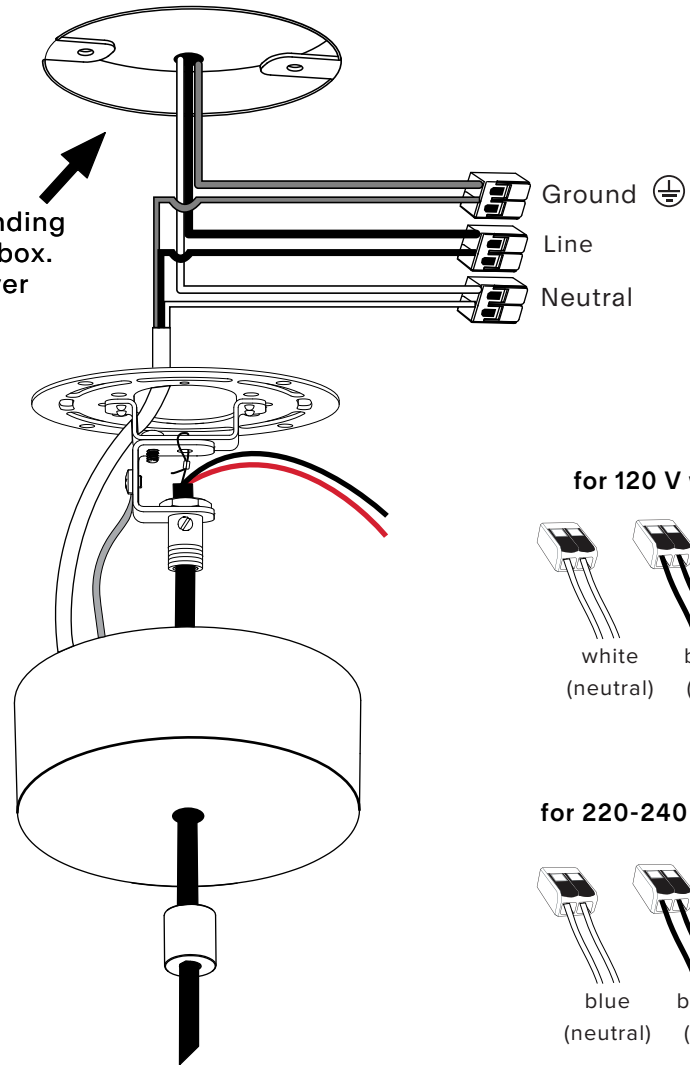
Unscrew cap to access the universal bracket and driver.



# MAKE LINE/MAIN VOLTAGE CONNECTION TO ELECTRICAL BOX (AC)

2

Connect corresponding wires in electrical box.  
(AC input of driver to supply).

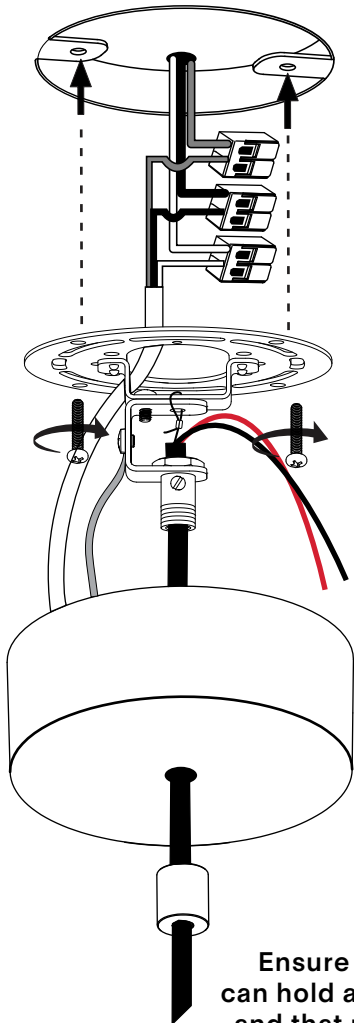


\* Connections can also be made in the canopy if necessary

# MOUNT UNIVERSAL BRACKET

3

Secure universal bracket to the electrical box

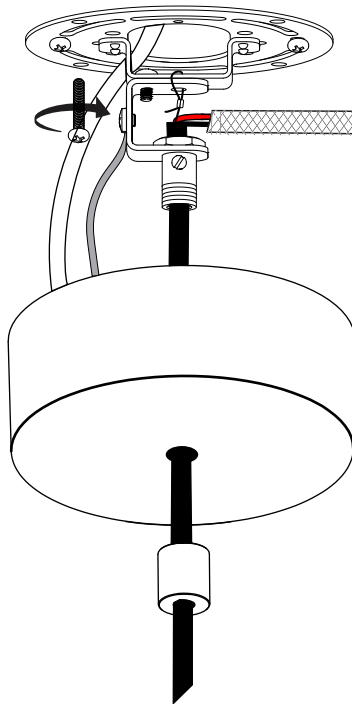


⚠  
Ensure your electrical box can hold a weight of 35 lb/ 16kg and that no wires are pinched during these steps.

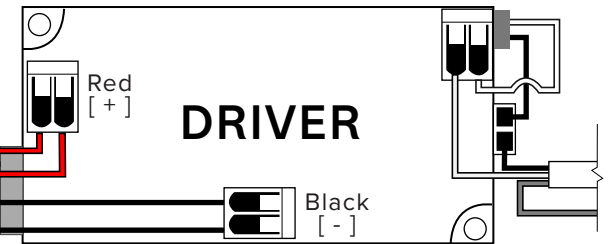
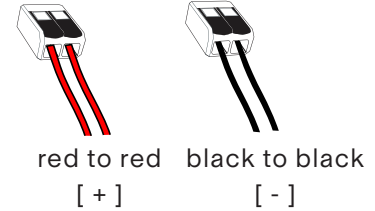
4

Connect luminaire's red and black wires to driver output wires (DC) within the canopy.

Slide the anti-abrasive sleeve over the red and black wires.



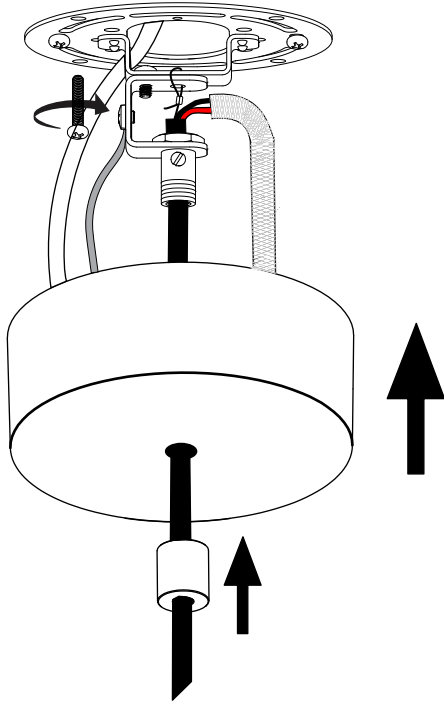
If applicable, use grey and purple wires for 0-10V dimming circuit. If the wires are not used, cap them separately.



AC previously connected.  
(step 2)

5

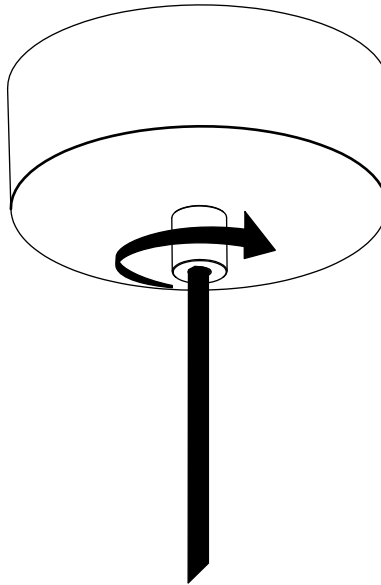
Raise canopy



Ensure no wires are clipped or pinched during these steps.

6

Secure canopy cap



7

To place in desired position, hold cord close to luminaire while lifting and turning the body of the luminaire.

