

# Dorval ATELIER 01

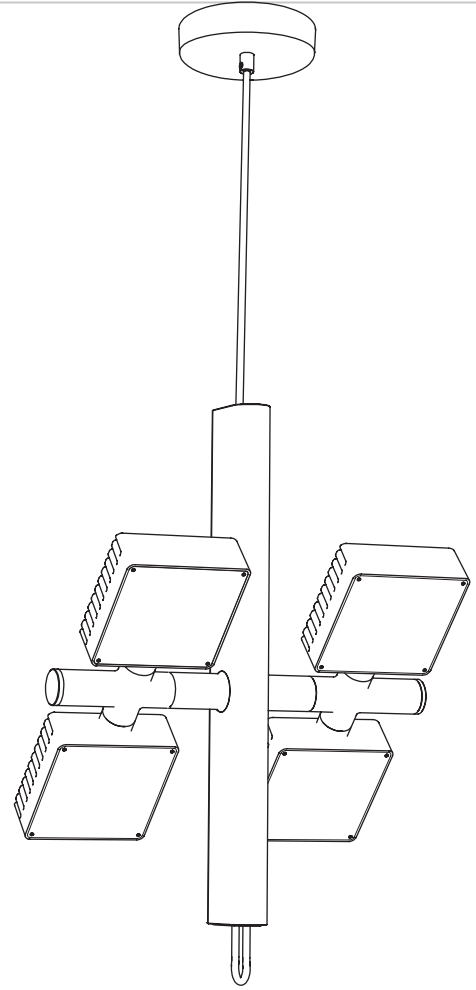


# Dorval ATELIER

## 01

The Dorval Atelier looks like it was dipped in a pool of metallic liquid, making it an utterly refined, almost magical version of the impressively technical original model. Entirely finished in brass, the Dorval Atelier stuns by stripping down and glorifying the process of making such a piece. Brass is a lively material which morphs with time, and ages elegantly. This model aims to be an ode to our most used material, juxtaposed here on one of our most contemporary models.

Dorval Collection is a collaboration with SCMP Design Office..



#### CONSTRUCTION

- brass body, head, canopy and cord
- clear prismatic PMMA lens

#### COLOR

- Brass

For custom colors, contact our team:  
[order@lambertetfils.com](mailto:order@lambertetfils.com)

#### DIMENSIONS

- Length 14" / 36 cm
- Width 2.5" / 6 cm
- Height 18" / 46 cm

#### LEAD TIME

- Canada / USA  
16 Weeks
- International  
30 weeks

[Click here](#)

for full product  
sheet