



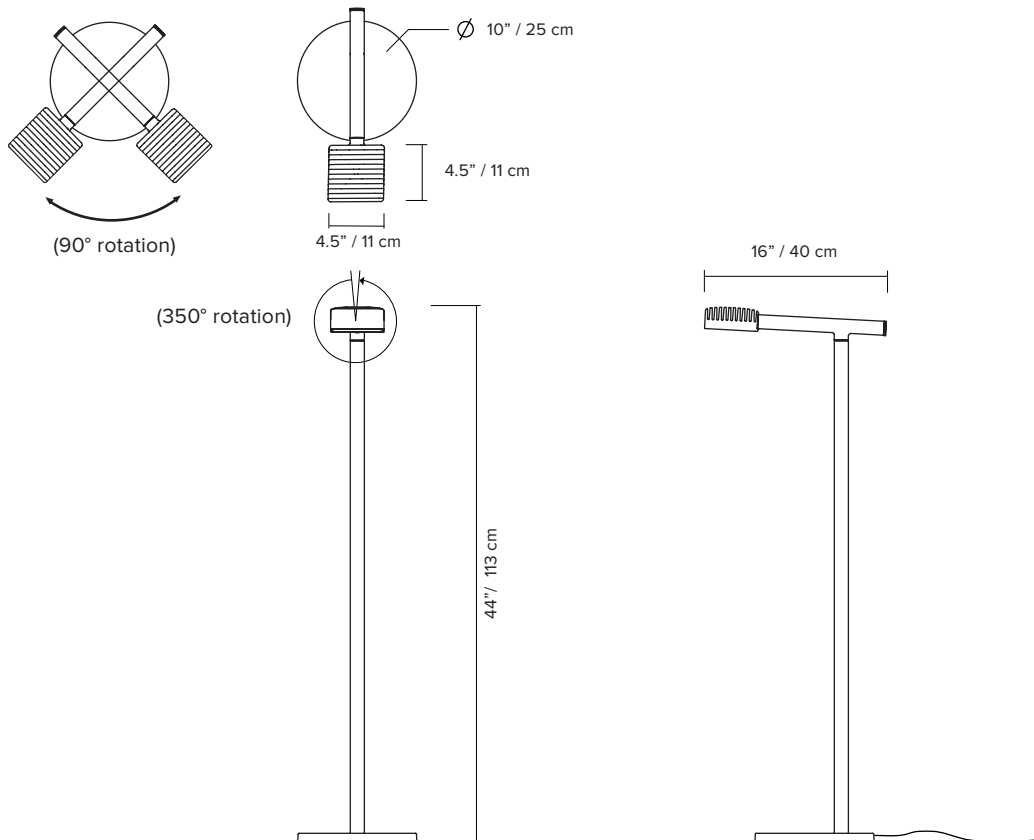


DORVAL 03

Based on SCMP DESIGN OFFICE's original pendant prototype Dorval 01, this collection is layered in history, a subtle interplay between contemporary and vintage industrial design. Drawing equal inspiration from airport runway lights and the classic Motobecane french moped, the result is a light both confrontational and intriguing—one which poses an immediate invitation to play.

- type:** floor
- construction:** powder coated or polished aluminum body, head and base clear prismatic PMMA lens
PVC cord
- colour:** aluminium, beige, black, light blue, midnight blue or white
- specifications:** source: LED array, integrated
power consumption: 8W
color temperature: 3000K
2700K
dim to warm 3000k to 2200k
dim to warm 2700k to 2200k
lumen output: 3000K - 3106 lm
2700K - 2888 lm
colour rendering index: ≥ 90 CRI
colour consistency: 3 SDCM
expected lifetime: $\geq 50\ 000$ h
- control:** integrated touch dimmer
- cord length:** 75" / 190 cm
- weight:** TBD
- certifications:**     IP20
- warranty:** 2 year



*dimensions are approximate and may vary slightly