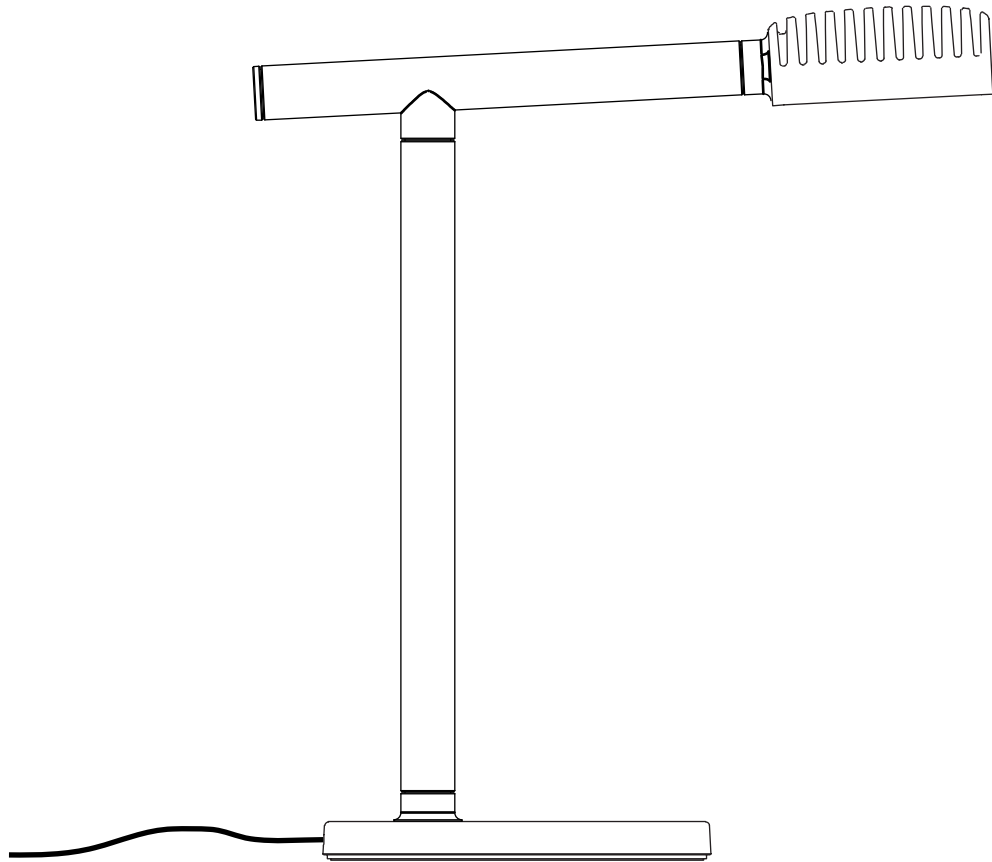

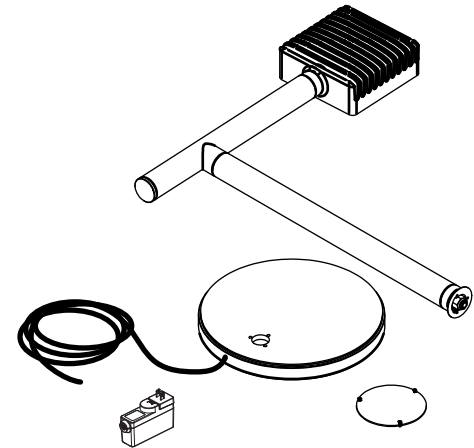


DORVAL TABLE

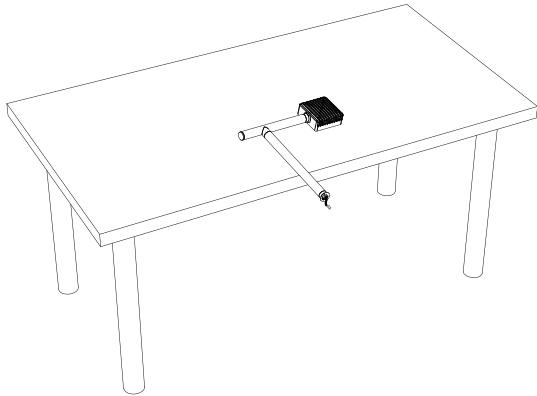


- 
- Please read entire manual before installation
 - Wear enclosed gloves when handling lamp
 - Handle materials with care. Please consult lamp maintenance sheet on our web site

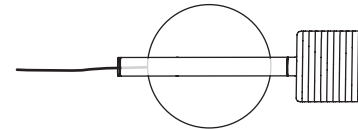


1

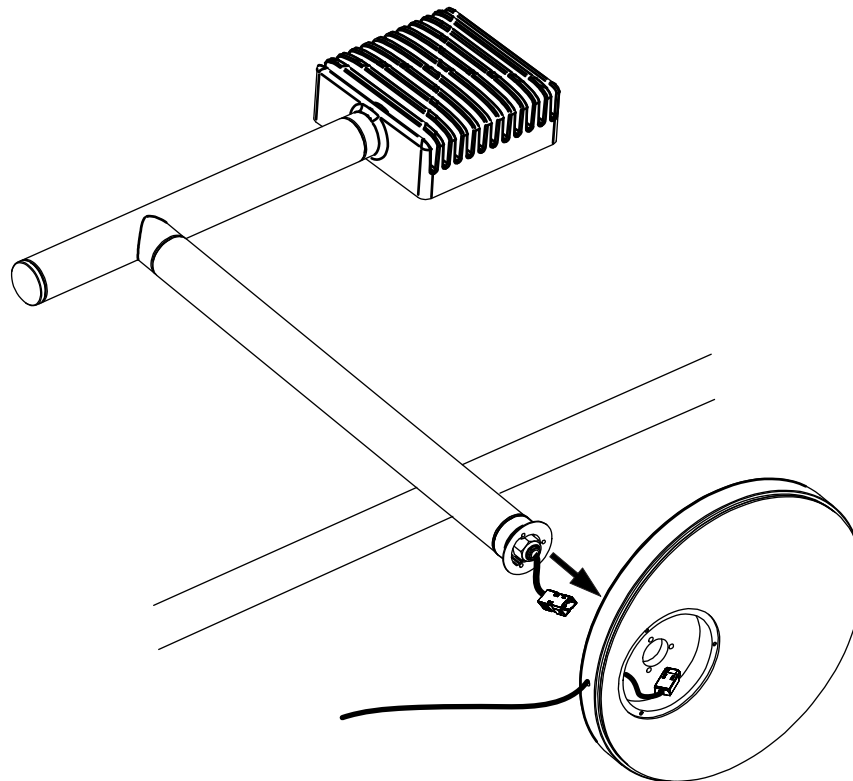
Unbox the luminaire and lay it flat on a non abrasive table, leaving a small part of the vertical tube over the edge of the surface.



Feed wire with connector through the hole in the base and then fit the vertical tube into the hole of the base.



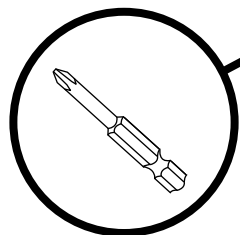
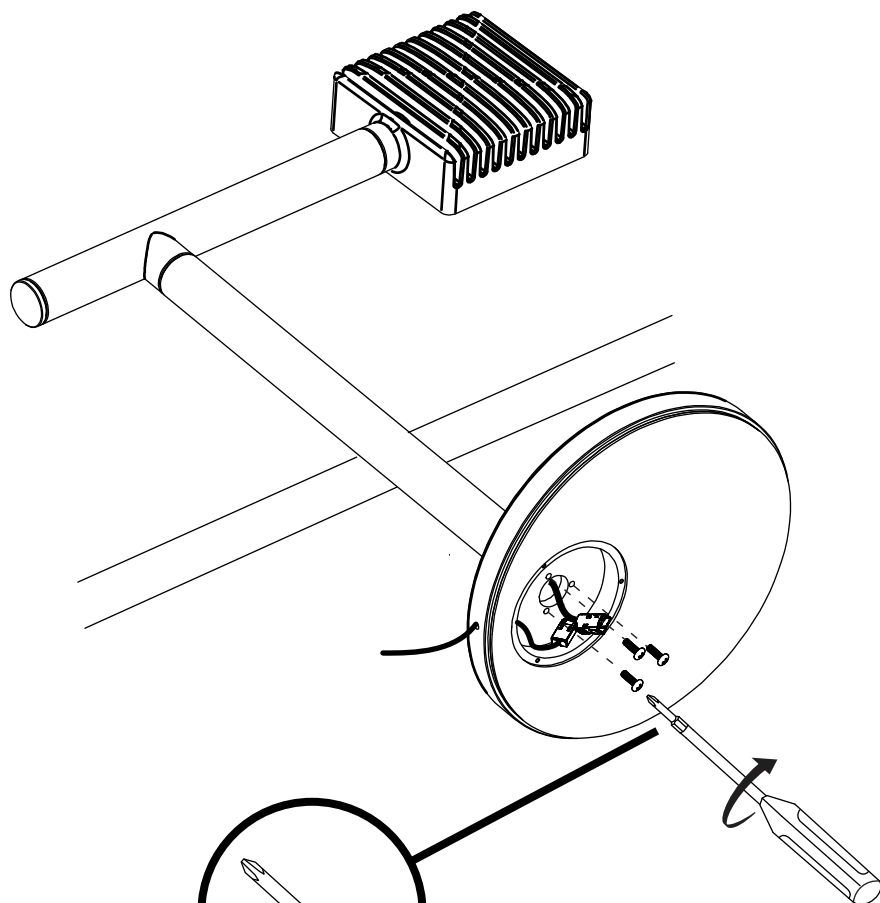
Note exit wire and luminaire arm are aligned.



2

Secure base with the three provided screws.

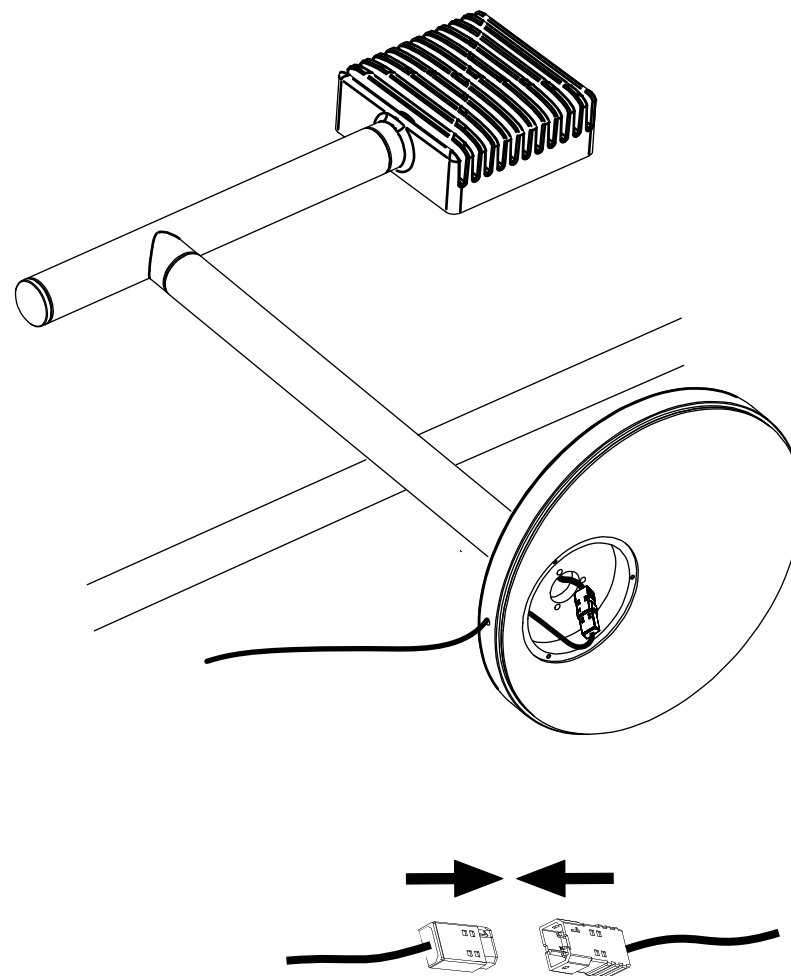
Have one person hold the base while the others tightens the screws.



provided drill bit

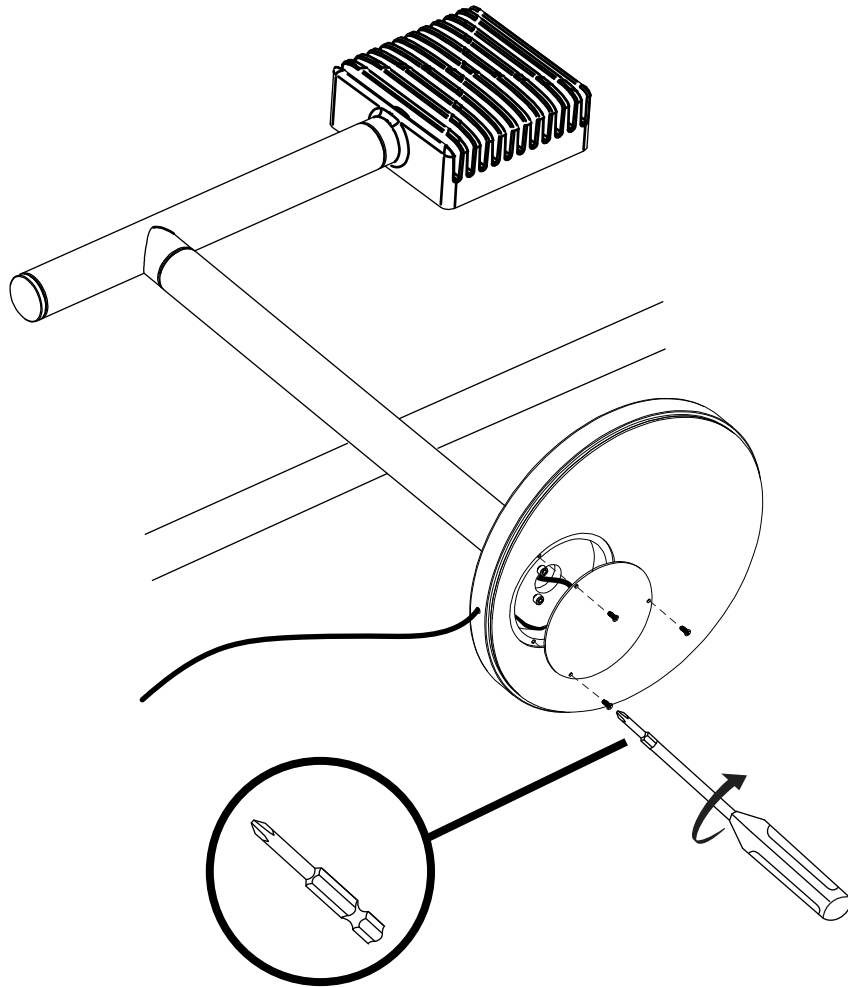
3

Connect the quick connectors.



4

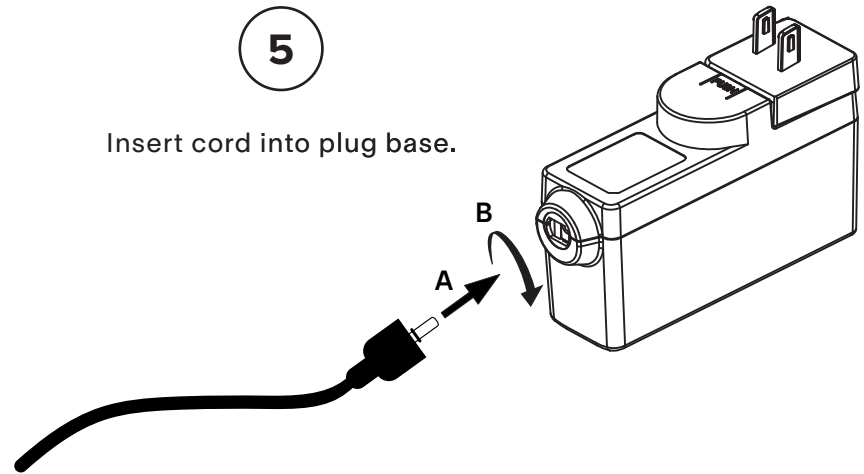
Secure base cover plate with 3 provided screws.



provided drill bit

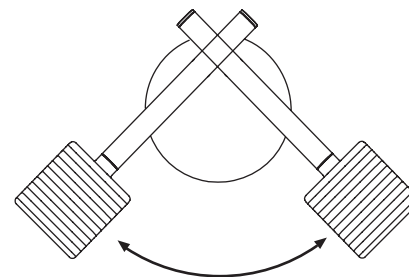
5

Insert cord into plug base.

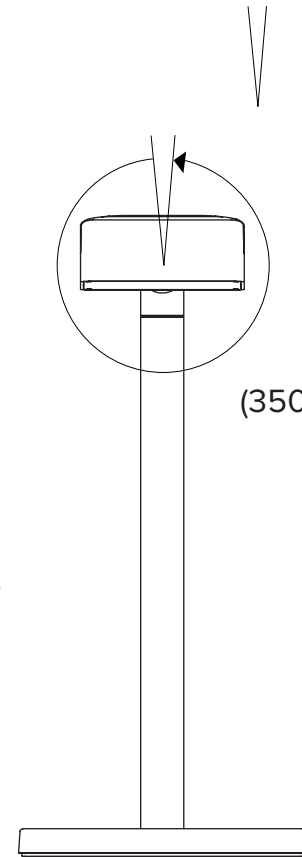


7

(90° rotation)



(350° rotation)



TOUCH DIMMER CONTROL

GENERAL NOTES

The touch dimmer is located on the end cap of the luminaire.
The luminaire is preset to dim-to-warm mode (3000K-2200K).
Other options available, refer to programming section below.
When plugging in the luminaire, wait 5 seconds before touching the sensitive end cap.

STANDARD OPERATIONS

1 or 2 touches = Turn ON/OFF

1 constant touch when light is OFF = Light dims up from 0%

1 constant touch when light is ON = Light dims up/down alternatively

3 touches = Turn ON 100%

PROGRAMMING

4 touches = Cycle color temperature (CCT) value between 2200K-2700K-3000K-3500K-4000K.

Repeat the 4 touches in between each value.

Light will blink to indicate it has switched from a value to the other.

5 touches = Set to dim-to-warm mode (3000K to 2200K or 2700K to 2200K)

Repeat the 5 touches in between each value

