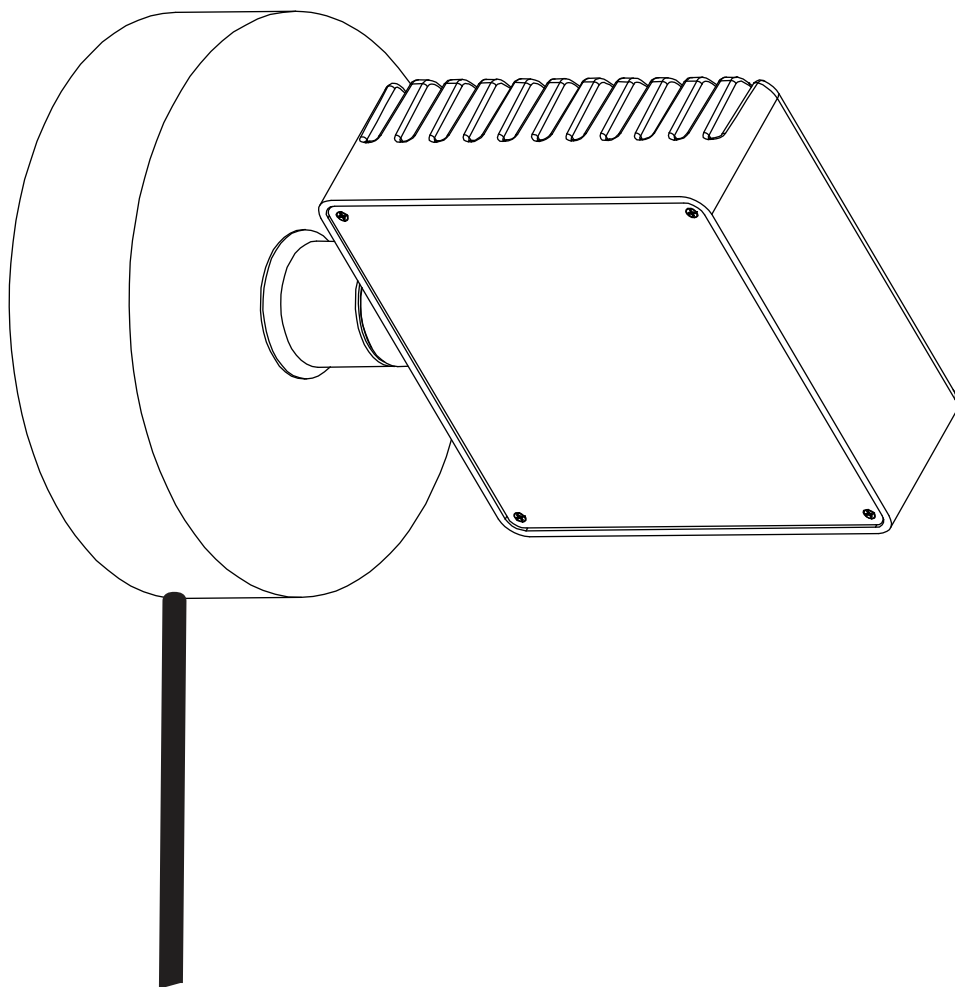
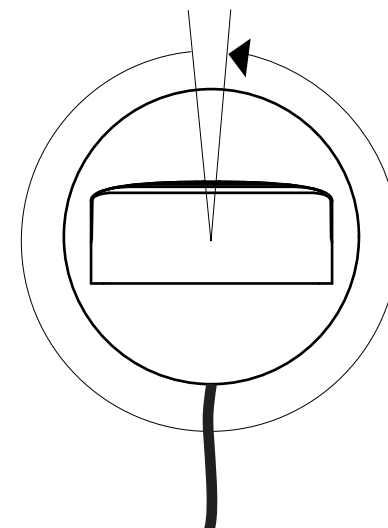


# DORVAL WALL



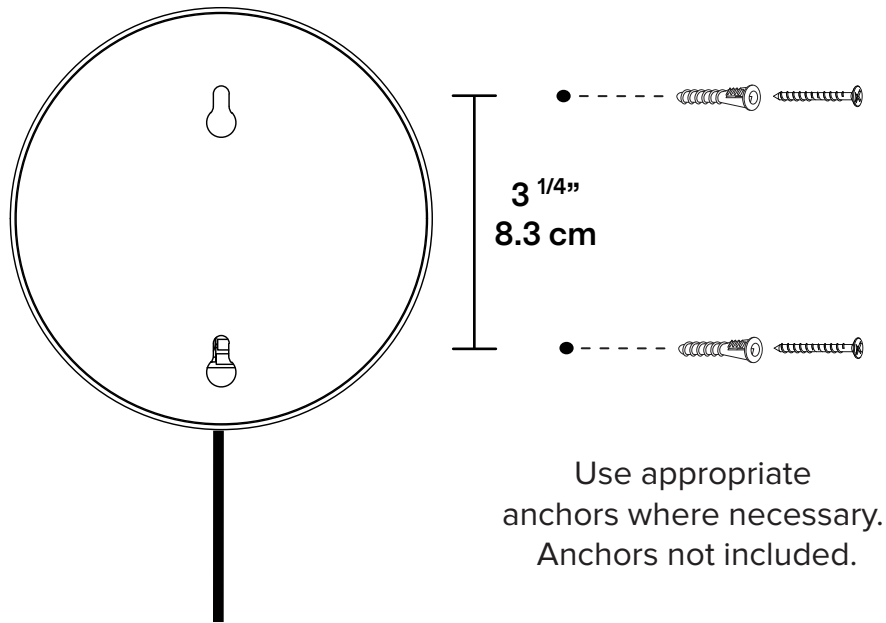
- Please read entire manual before installation
- Use appropriate screws and anchors where necessary
- Wear enclosed gloves when handling lamp
- Handle materials with care. Please consult lamp maintenance sheet on our web site

(350° rotation)



1

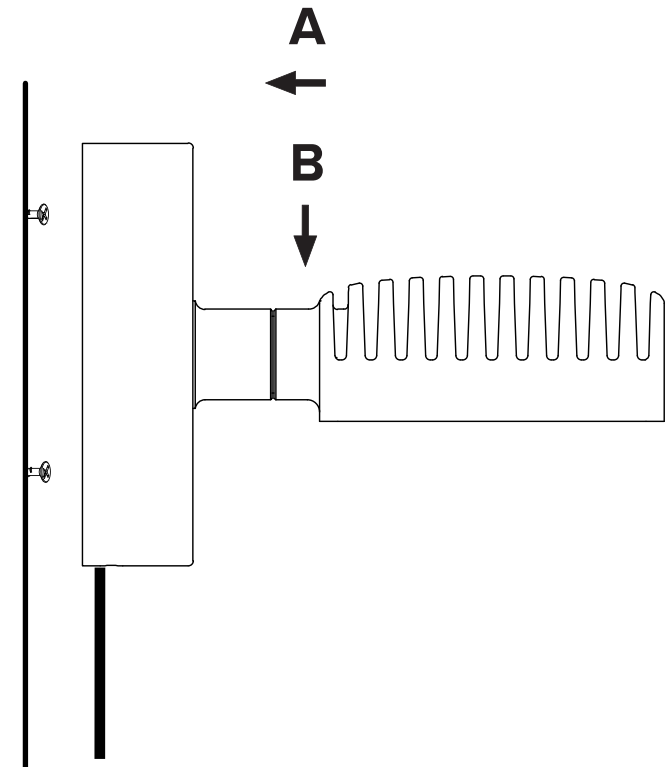
Install mounting screws.



2

Install luminaire to mounting screws.

Tighten or loosen mountings screws to ensure the luminaire is installed securely, .



# TOUCH DIMMER CONTROL

## GENERAL NOTES

The touch dimmer is located on the body of the luminaire.

The luminaire is preset to dim-to-warm mode (3000K-2200K). Other options available, refer to programming section below.

When plugging in the luminaire, wait 5 seconds before touching the sensitive end cap.

## STANDARD OPERATIONS

1 or 2 touches = Turn ON/OFF

1 constant touch when light is OFF = Light dims up from 0%

1 constant touch when light is ON = Light dims up/down alternatively

3 touches = Turn ON 100%

## PROGRAMMING

4 touches = Cycle color temperature (CCT) value between 2200K-2700K-3000K-3500K-4000K.

Repeat the 4 touches in between each value. Light will blink to indicate it has switched from a value to the other.

5 touches = Set to dim-to-warm mode (3000K to 2200K or 2700K to 2200K)

Repeat the 5 touches in between each value

