

BEAUBIEN








BEAUBIEN WALL



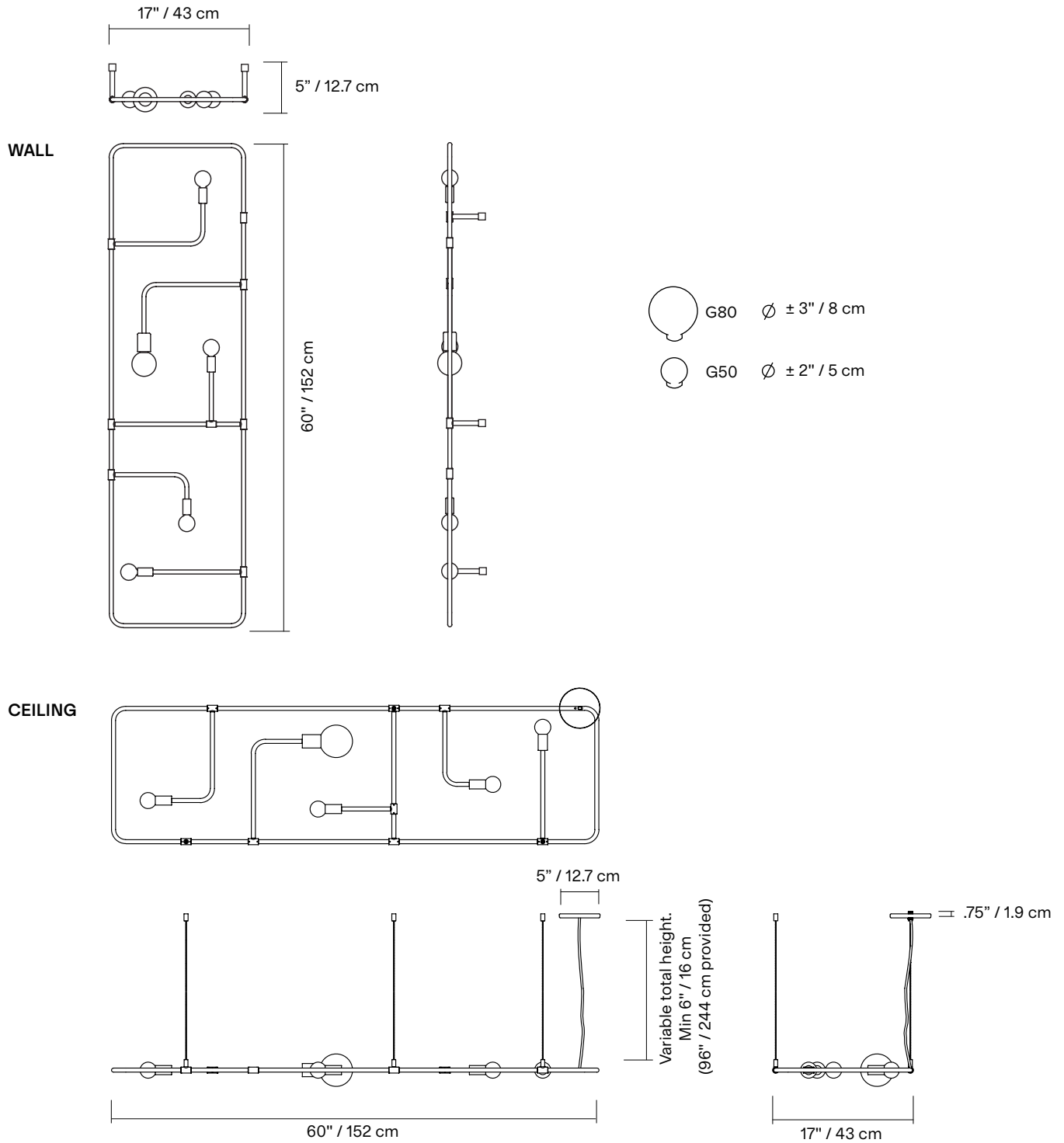
BEAUBIEN CEILING

The Beaubien Collection's strong black lines bend in and out of space, moving effortlessly between simplicity and ornamentation. Round and cubic brass connectors complete the lamps' structures and add a rich material contrast to the powder coated rods. The collection's industrial and graphic aesthetic is imbued with a palette of influences, from traditional Chinese screens to the Memphis movement. Each influence strengthens the collection, creating nuance within its timeless character.

TYPE	Ceiling (CE), wall (WA): hardwire (HW) or softwire (SW)
CONSTRUCTION	Powder coated steel and aluminum body Brass hardware Milk glass globe Polyester cord, vinyl cord for floor or wall softwire in Australia
SPECIFICATIONS	Source: LED lamp provided (G9 base) Power consumption: 1 × 4.5W, 4 × 3.5W Lumen output: 1573lm Colour temperature: 2700K included * 3000K available upon request Colour rendering index: ≥ 90 CRI standard Expected lifetime: ≥ 25 000h
CONTROL	Refer to our recommended list of dimmer models
CORD LENGTH	120" / 305 cm Ceiling: provided with 96" / 244 cm of brass beads chain or stainless steel cable Wall softwire: footswitch at 72" / 183 cm from body; handswitch at 18" / 46 cm from body
WEIGHT	Min. 7.5 lb / 3.4 Kg
CERTIFICATIONS	     IP20
WARRANTY	2 years

NOTES

- Luminaire total height (ceiling to lowest point of luminaire)
Min - 6" / 16 cm
Max - 96" / 244 cm (96" / 244 cm provided).
*For any height outside these parameters, contact Lambert & Fils
- Luminaire height is adjustable on site
- Luminaire can be installed on a slanted ceiling - 45° or less. Swivel option available, contact Lambert & Fils
- Dimensions are approximate and may vary slightly

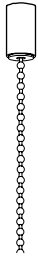
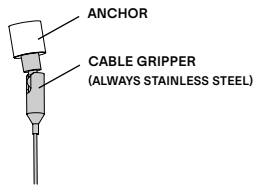


FINISH



ANCHORS

Swivel option available for slanted ceilings (45 ° max angle)



CHAIN
FOR BRASS ANCHORS



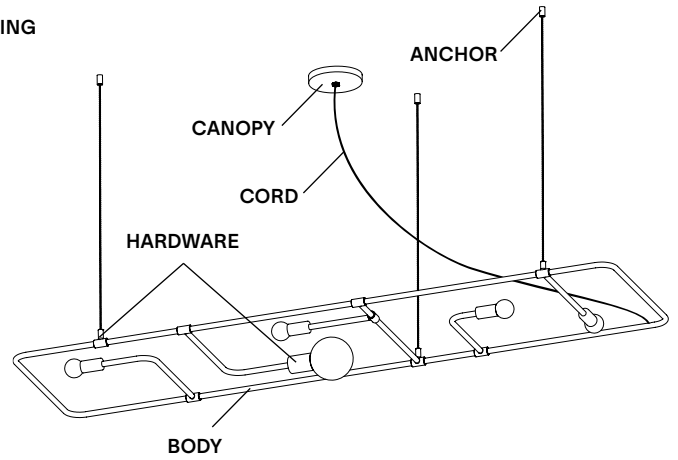
STAINLESS STEEL CABLE
FOR PAINTED ANCHORS

NOTES

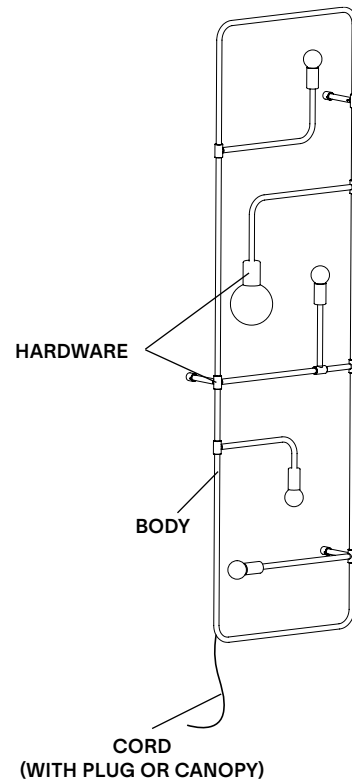
- Must be installed by an electrician (except floor and wall softwire version)
- Slanted ceiling option available upon request
- Not protected against liquids (refer to IP20)
- Additional charges for modifications or for special orders
- Please refer to maintenance sheet on website for cleaning instructions

LAMP ANATOMY

CEILING



WALL



WALL

		Example	Fill with your selection
COLLECTION	BEA Beaubien	BEA	BEA
MODEL	01	01	01
TYPE	WAHW Wall hardwire (with canopy)	WAHW	WAHW
BODY	BK Flat black BR Brass	BK	
HARDWARE	BR Brass GR Graphite*	BR	
CORD	BK Black	BK	BK
CANOPY	BK Flat black BR Brass WH Flat white	BK	
FULL SKU		BEA01WAHWBKBRBKBK	

**only available with black body

NOTES

		Example	Fill with your selection
COLLECTION	BEA Beaubien	BEA	BEA
MODEL	01	01	01
TYPE	WASW Wall softwire (with plug)	WASW	WASW
BODY	BK Flat black BR Brass	BK	
HARDWARE	BR Brass GR Graphite*	BR	
CORD	BK Black	BK	BK
SWITCH	HD Hand at 18"/ 46 cm from body FT Floor at 72"/ 183 cm from body	HD	
FULL SKU		BEA01WASWBKBRBKHD	

**only available with black body

NOTES

CEILING

		Example	Fill with your selection
COLLECTION	BEA Beaubien	BEA	BEA
MODEL	01	01	01
TYPE	CE Ceiling	CE	CE
BODY	BK Flat black BR Brass	BK	
HARDWARE*	BR Brass GR Graphite**	BR	
CORD	BK Black	BK	
CANOPY AND ANCHORS	BK Flat black BR Brass WH Flat white	BK	
FULL SKU		BEA01CEBKBRBKBK	

NOTES

*Brass hardware includes brass bead chains and brass ceiling anchors.
Graphite hardware includes stainless steel cables and flat black or flat white ceiling anchors.

**Only available with black body

DIMMER LIST COMPATIBILITY FOR G9 LED BULBS – 120V

The dimming technology offering the best results is ELV (electronic low voltage) dimmers with reverse phase or trailing edge control.

DIMMER BRAND	MODEL	MAX LEVEL	MIN LEVEL	DIMMING PROTOCOL
LUTRON - MAESTRO	MAELV-600	100%	0%	Phase Cut
LUTRON - SKYLARK	SELV-300P	100%	0%	Phase Cut
LUTRON - SKYLARK	SELV-300P	100%	0%	Phase Cut
LUTRON - SKYLARK	CTELV-303P	100%	0%	Phase Cut
LUTRON - DIVA	DVELV-300P	100%	0%	Phase Cut
LEGRAND - ADORNE	TRUE UNIVERSAL	100%	30%	Phase Cut

DIMMER LIST COMPATIBILITY FOR G9 LED BULBS – 230V

Phase cut dimming (leading edge or trailing edge**)

DIMMER BRAND	MODEL	MAX LEVEL	MIN LEVEL	DIMMING PROTOCOL
VARILIGHT	V-PRO	100%	2%	Phase Cut
LEGRAND - NILOÉ	3 996 35	87%	15%	Phase Cut
NIKO	310-0280X	94%	5%	Phase Cut
NIKO	310-0190X	100%	1%	Phase Cut

*Other dimmers can yield good results and we recommend conducting your own test before final installation.

Some dimmers require a minimum load, check specifications.

*Other dimmers that specify LED lamp compatibility may operate without issue.

We recommend conducting your own test before final installation.

**Leading edge is also known as TRIAC or Forward Phase.

Trailing edge is also known as ELV or Reverse Phase.
