



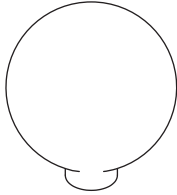
BEAUBIEN WALL

1 x 

4 x 
3.5W

1 x 
4.5W

4 x 
G50

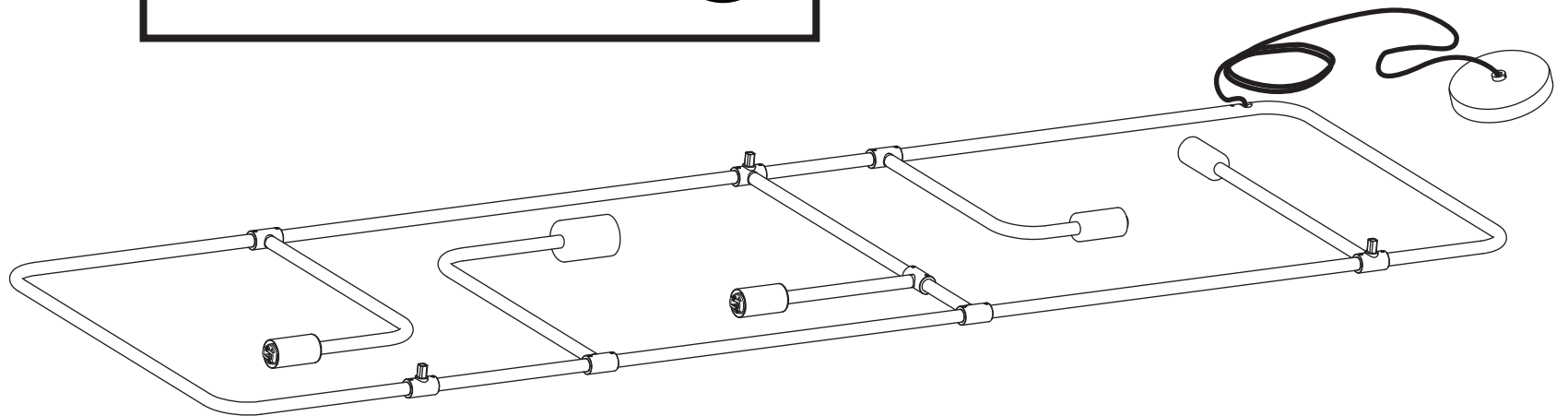
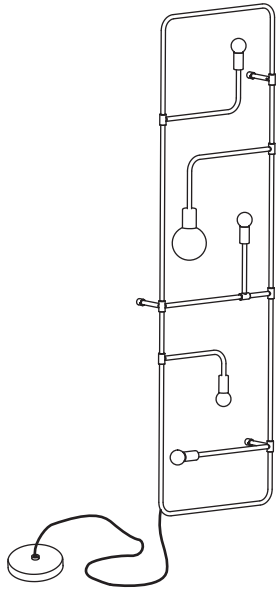
1 x 
G80

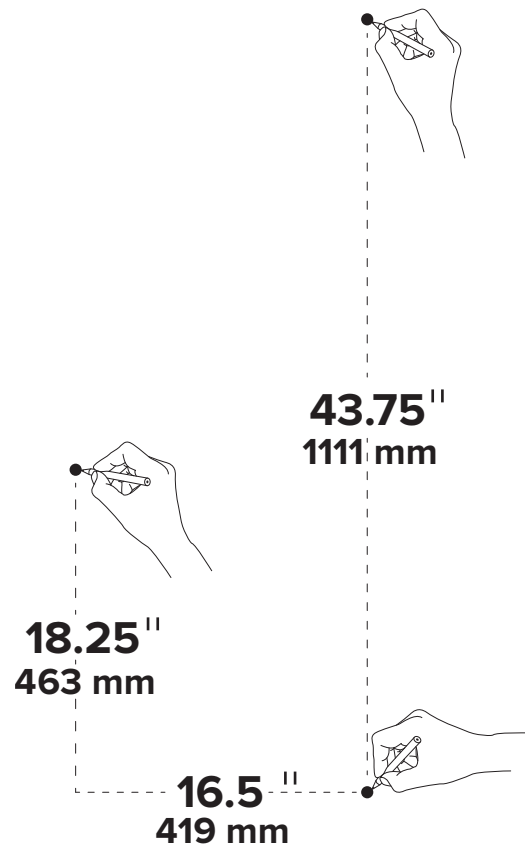
3 x 



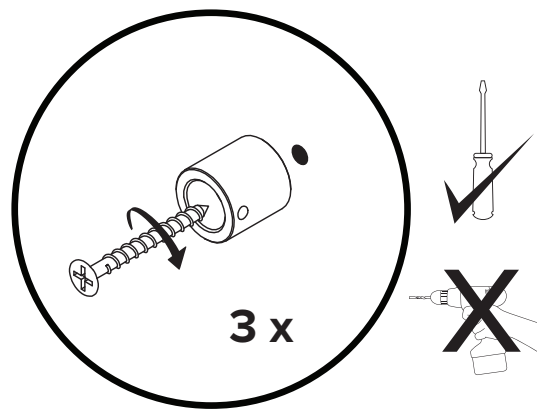
- Use appropriate screws and anchors where necessary
- Wear enclosed gloves when handling lamp
- Hold lamp by the frame
- Handle raw brass with care. Please consult lamp maintenance sheet on our web site
- Wall mount only

lamp weight **17 lbs / 7.7 kg**

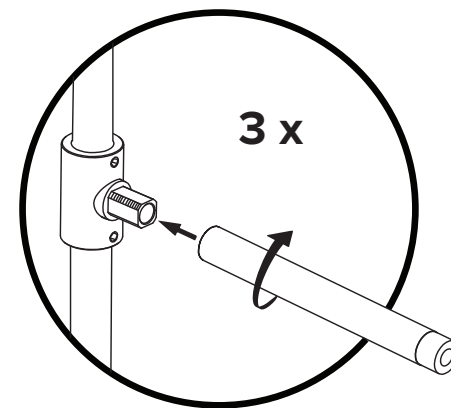




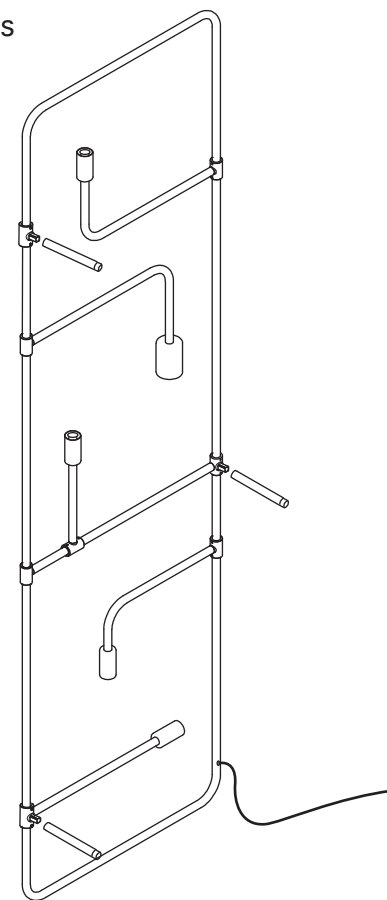
1



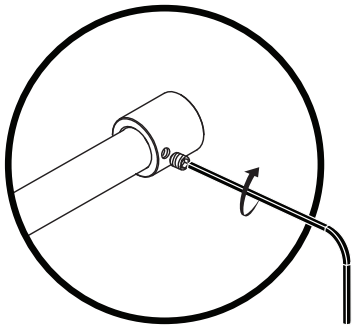
* Use appropriate anchors



2

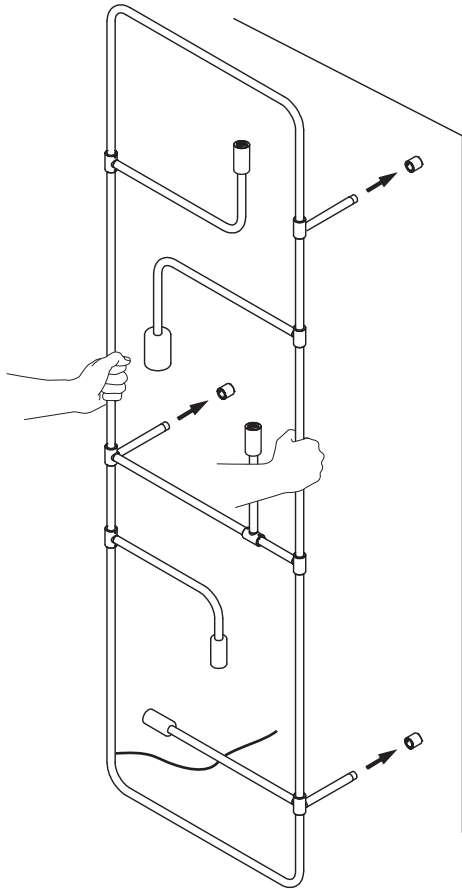


3

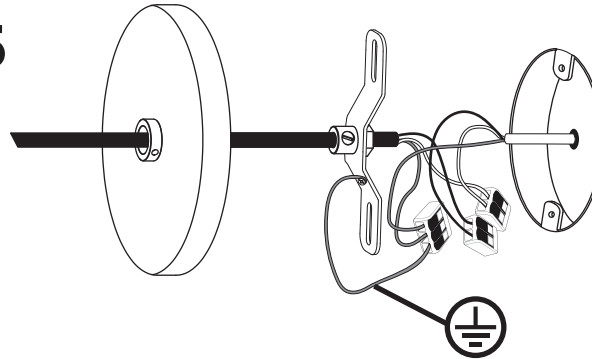


4

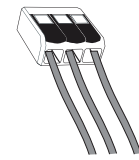
* Screw gently, but firmly



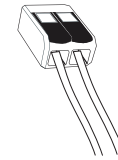
5



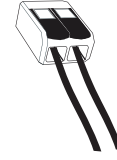
Make connection  6mm



green/yellow

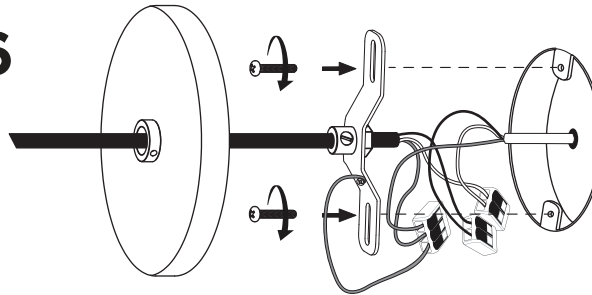


blue
(neutral)

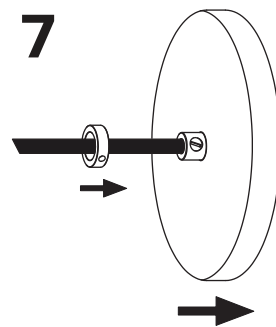


brown
(live)

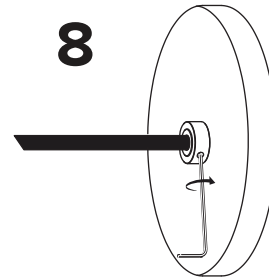
6



7



8



* Screw gently, but firmly

9

