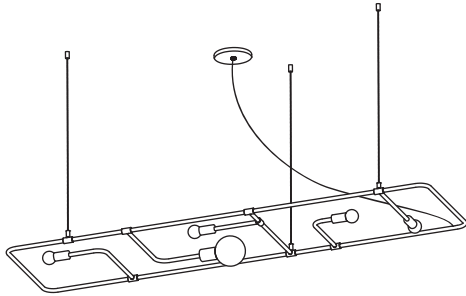


# BEAUBIEN SUSPENSION



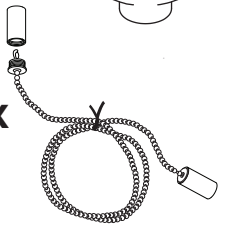
1 x 

4 x 

4 x 

1 x 

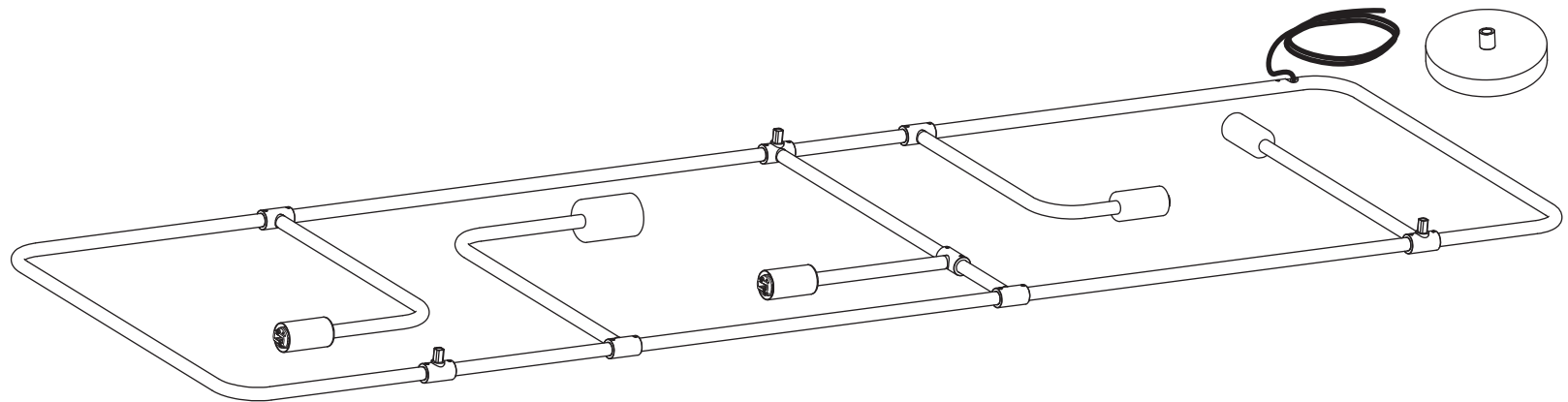
1 x 

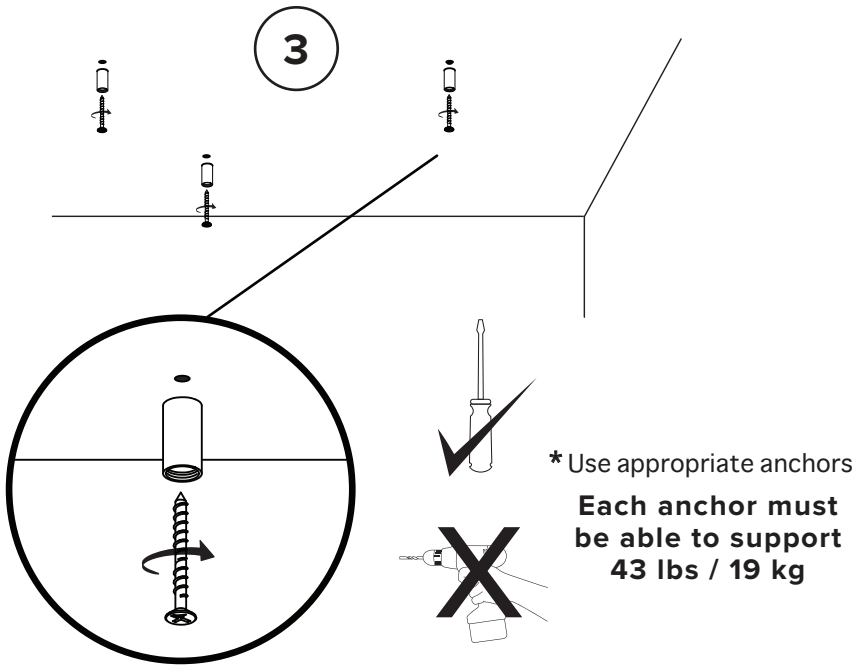
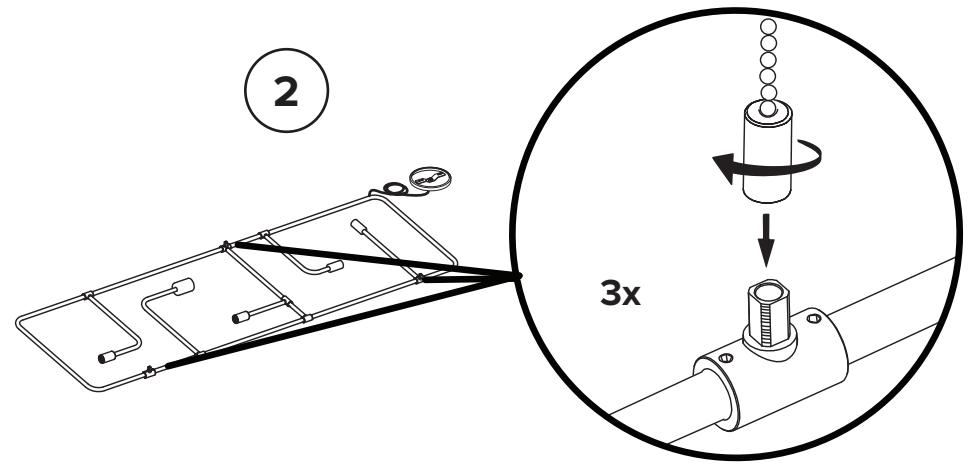
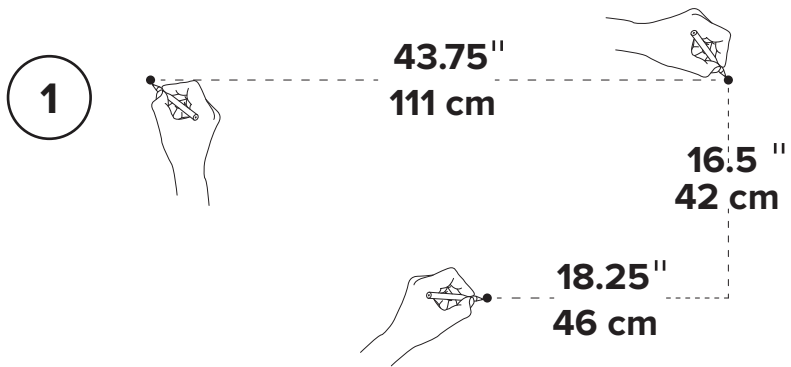
3 x 



- To be installed by an electrician to an electrical box
- Use appropriate screws and anchors where necessary. Do not use the wall anchors for the ceiling position
- Wear enclosed gloves when handling lamp
- Hold lamp by the frame
- Handle materials with care. Please consult lamp maintenance sheet on our web site

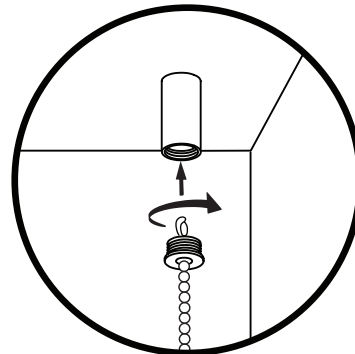
lamp weight **17 lbs / 7.7 kg**



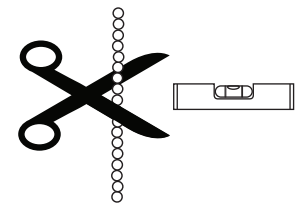


**4**

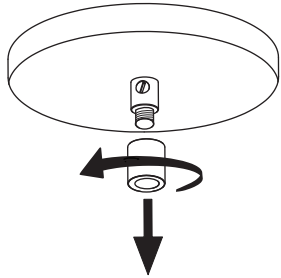
Do not install at less than 6" from the ceiling



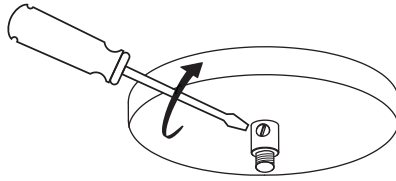
Adjust chain lengths before installing them to the ceiling. When luminaire is level trim excess cable



5

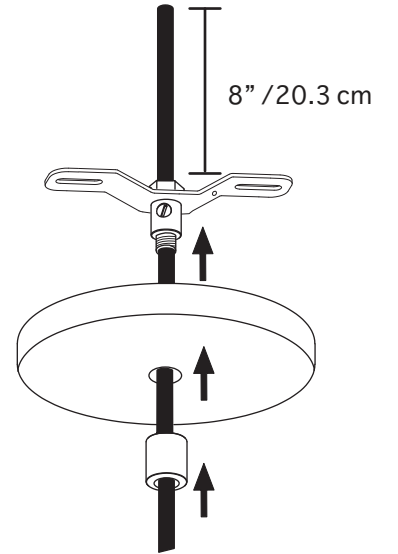


6



7

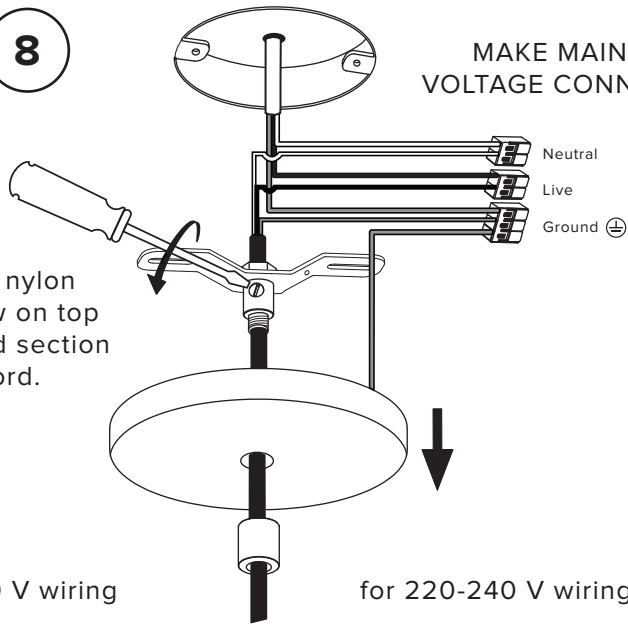
Feed cord through then adjust cord length. Leave 8" / 20.3 cm of cord after the bracket.



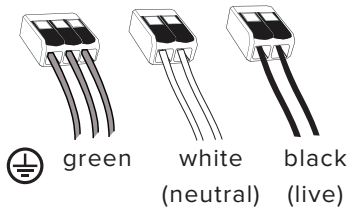
8

MAKE MAIN /LINE VOLTAGE CONNECTIONS

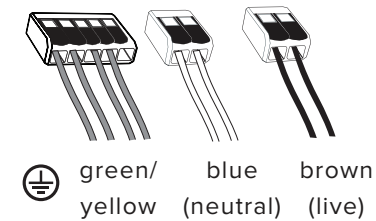
Tighten nylon set screw on top of sleeved section of cord.



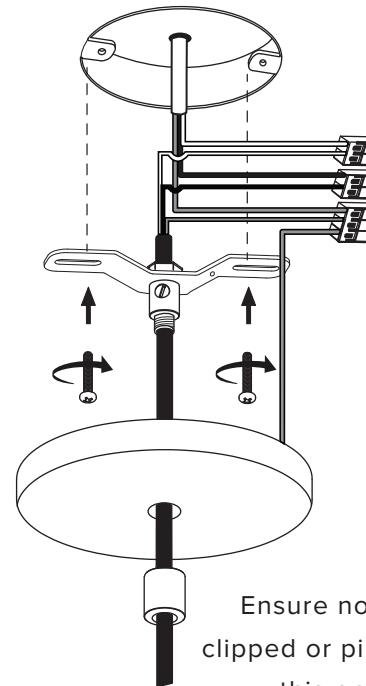
for 120 V wiring



for 220-240 V wiring

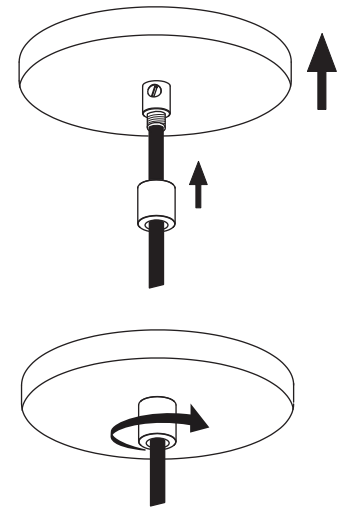


9



Ensure no wires are clipped or pinched during this operation.

11



12

Insert bulbs and globes

