

**SAINTE**



**lambert&fils**



**WARNING - GLASS PRODUCT**  
**IMPORTANT NOTICE**

Take extra care when handling or moving the glass shade of the luminaire. Avoid touching it with any tools and keep away from any hard or abrasive surfaces (like rings, jewellery, watches, etc.). The edges and corners are especially fragile.

Keep the glass clean and wear gloves at all times. Do not put hands inside the glass body unnecessarily. This will allow for less cleaning and less chance to damage the glass.

If your glass shade is warm or cold, let it rest at room temperature before installation.

Read and follow all steps carefully allowing the appropriate time for each step. Rushing the installation may cause accidents or damage.



- Please read entire manual before installation
- To be installed by an electrician to an electrical box
- Use appropriate screws and anchors where necessary
- Wear enclosed gloves when handling lamp
- Handle materials with care. Please consult lamp maintenance sheet on our web site

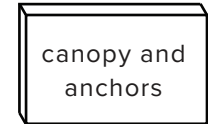


## PLEASE NOTE

ALL SAINTE MODELS FOLLOW  
THE SAME INSTALLATION PROCESS.

Each luminaire comes shipped in three boxes.

To protect the luminaire do not open the boxes until  
the installation process requires it.



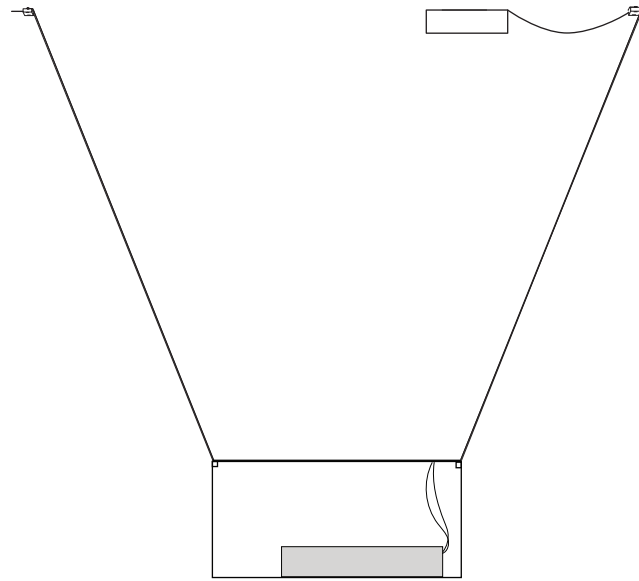
\*One pair of scissors has been  
provided for each order. If you  
order several Saintes, only one  
pair will be provided.

# INSTALL CEILING ANCHORS

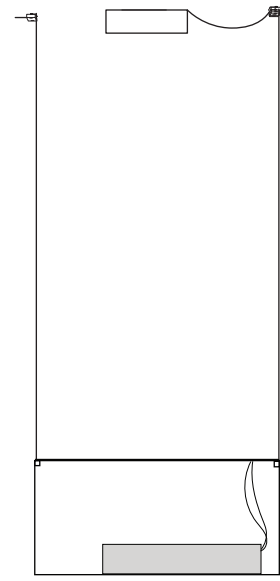
1

Determine the setup of your luminaire, either angled or parallel.

angled



parallel

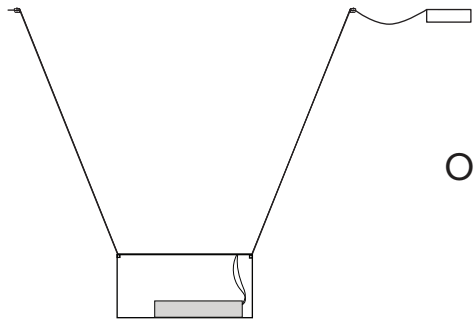


OR

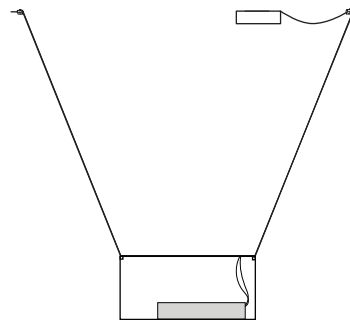
Choose the placement of your canopy, either exterior or interior

exterior

interior

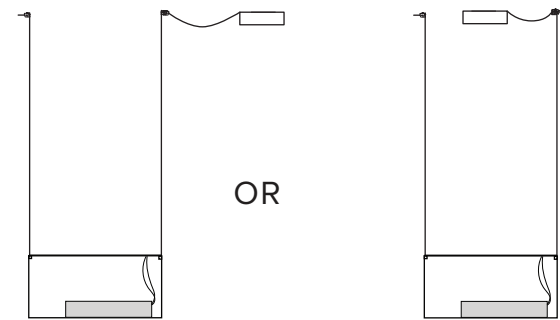


OR



exterior

interior

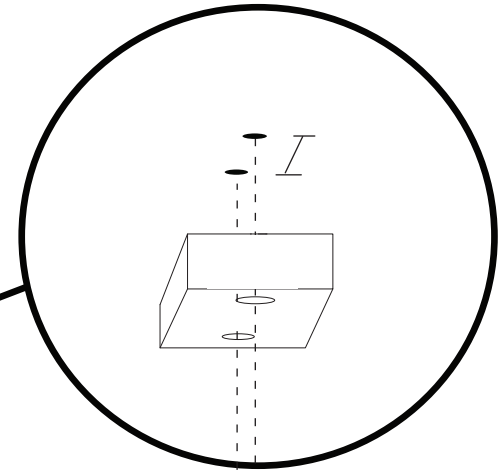
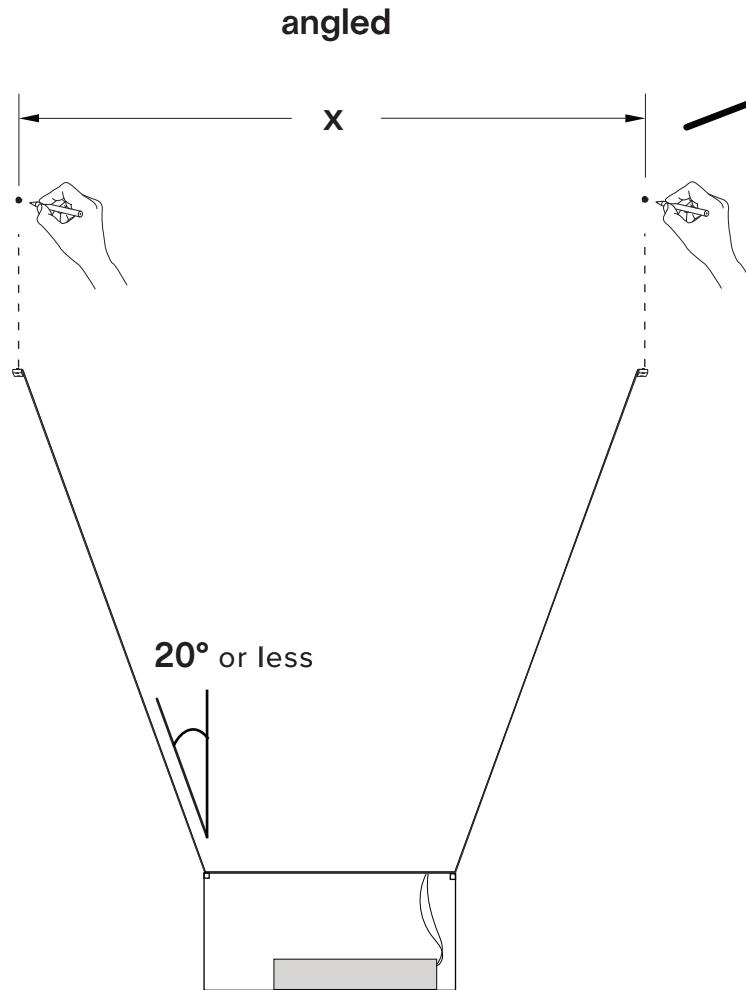


OR

2

For angled mark  
your **X** dimension.

The distance is from center  
to center of each anchor.



Use your  
anchor plate as a guide  
to make your marks.

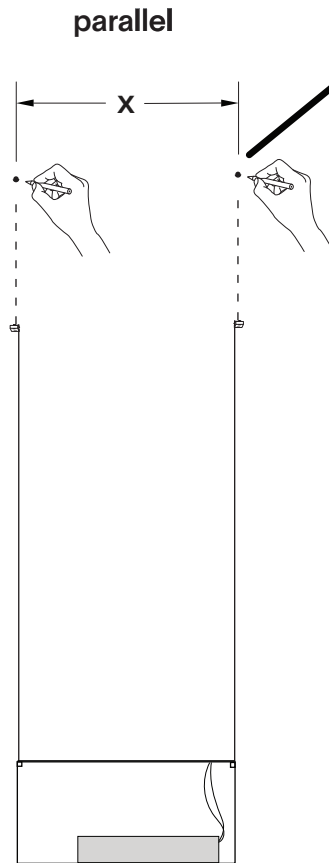
Choose your distance **X**  
for angled as long as it is less  
than 20°.

**3**

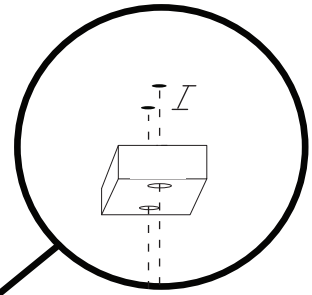
For parallel mark your **X** dimension.

The distance is from center to center of each anchor.

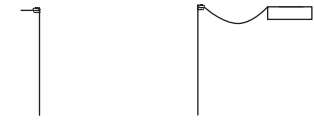
Note that dimensions vary for interior or exterior canopy.



For **X** refer to the distance chart for your model.

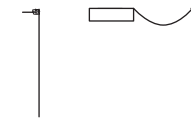


Use your anchor plate as a guide to make your marks.



**EXTERIOR CANOPY**

- X = SAINTE 01** 31 <sup>3</sup>/<sub>8</sub>" / 79.7 cm
- SAINTE 02** 19 <sup>7</sup>/<sub>8</sub>" / 50.5 cm
- SAINTE 03** 16 <sup>3</sup>/<sub>8</sub>" / 41.6 cm
- SAINTE 04** 9 <sup>3</sup>/<sub>8</sub>" / 23.8 cm
- SAINTE 05** 23 <sup>7</sup>/<sub>8</sub>" / 60.6 cm
- SAINTE 06** 49 <sup>5</sup>/<sub>8</sub>" / 126 cm
- SAINTE 07** 25 <sup>5</sup>/<sub>8</sub>" / 65.1 cm
- SAINTE 08** 21 <sup>5</sup>/<sub>8</sub>" / 54.9 cm
- SAINTE 09** 28 <sup>5</sup>/<sub>8</sub>" / 72.7 cm



**INTERIOR CANOPY**

- X = SAINTE 01** 30 <sup>1</sup>/<sub>4</sub>" / 76.8 cm
- SAINTE 02** 18 <sup>3</sup>/<sub>4</sub>" / 47.6 cm
- SAINTE 03** 15 <sup>1</sup>/<sub>4</sub>" / 38.7 cm
- SAINTE 04** not possible for this model
- SAINTE 05** 22 <sup>3</sup>/<sub>4</sub>" / 57.8 cm
- SAINTE 06** 48 <sup>1</sup>/<sub>4</sub>" / 122.6 cm
- SAINTE 07** 24 <sup>1</sup>/<sub>4</sub>" / 61.6 cm
- SAINTE 08** 20 <sup>1</sup>/<sub>4</sub>" / 51.4 cm
- SAINTE 09** 27 <sup>1</sup>/<sub>4</sub>" / 69.2 cm

4

Install the aluminum ceiling anchors.

**\* Use appropriate mounting hardware (not provided) for the weight of your luminaire**

**SAINTE 01** 14.3 lb / 6.5 kg

**SAINTE 02** 21.7 lb / 9.8 kg

**SAINTE 03** 18.3 lb / 8.2 kg

**SAINTE 04** 7.1 lb / 3.2 kg

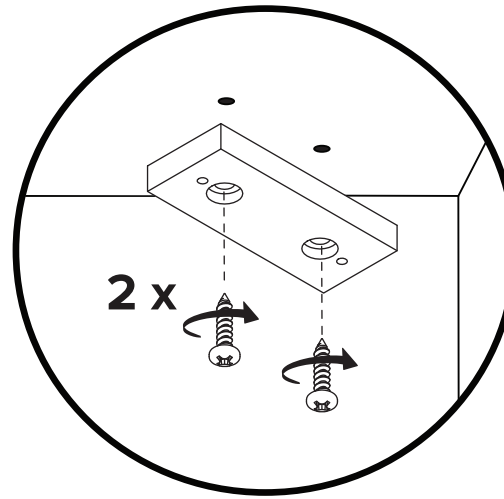
**SAINTE 05** 15.1 lb / 6.8 kg

**SAINTE 06** 41.8 lb / 18.6 kg

**SAINTE 07** 44.1 lb / 20 kg

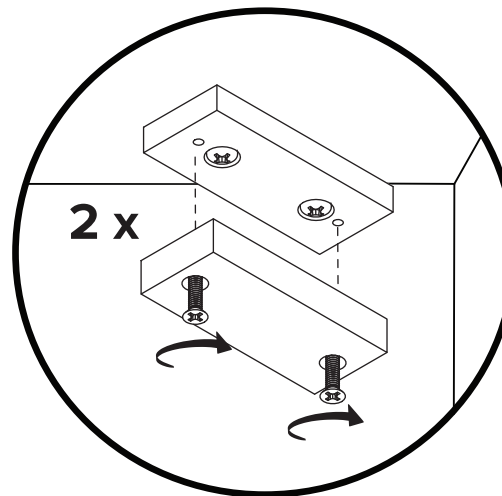
**SAINTE 08** 42.1 lb / 19.1 kg

**SAINTE 09** 31 lb / 14.1 kg



Make sure screw heads are fully immersed into the holes.

5



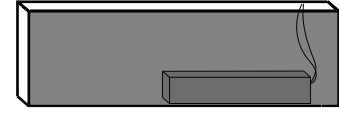
Partially screw the top plate of the anchor to temporarily allow the ribbon to freely pass through.

# DETERMINE ORIENTATION OF THE GLASS SHADE AND THE ELECTRICAL SIDE

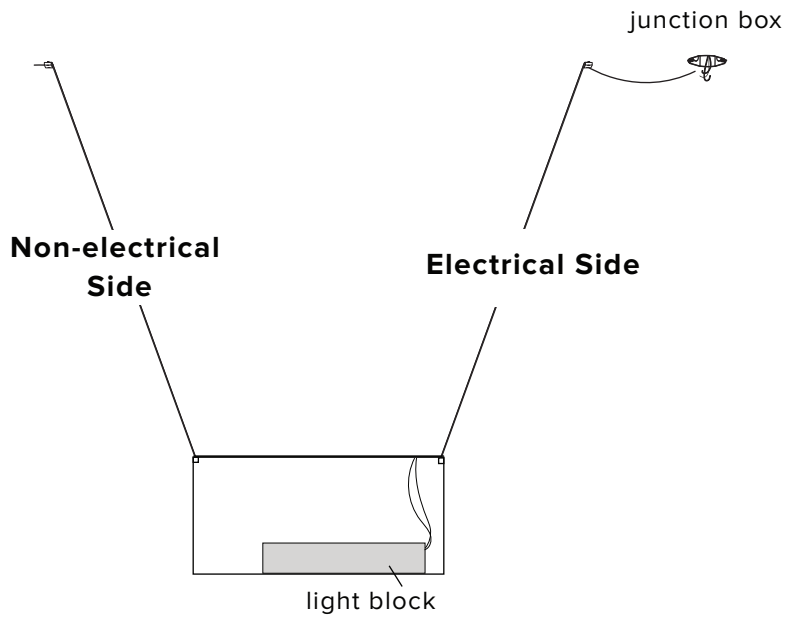
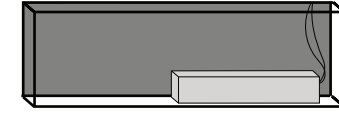
6

The light block should be on the same side as your junction box

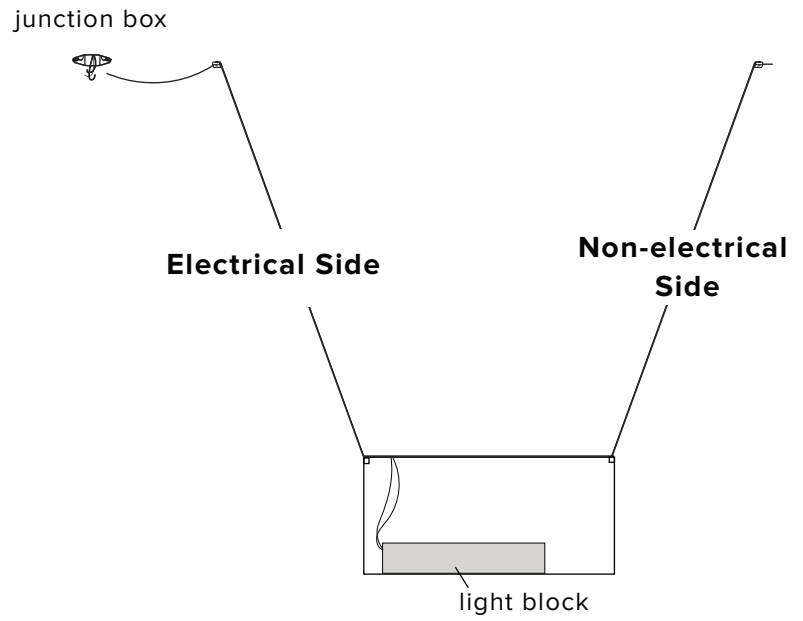
Choose the orientation for glass shades with different finishes on both sides.



OR



OR

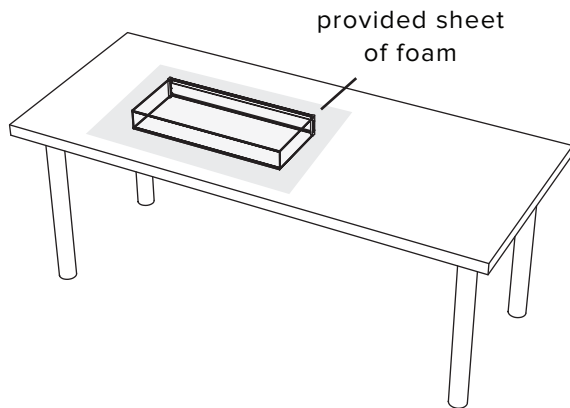
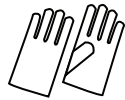


# PREPARE THE GLASS SHADE

7

Carefully remove the glass shade from the box. Place it on the provided sheet of foam on its side, glass anchors away from you. Unwrap the shade.

Wear enclosed gloves for these steps.



8

To ensure a secure assembly, gently tighten the four screws equally. Tighter 1/4 turn at a time while alternating screws.

Ensure that there is slight pressure on the glass, that the pressure is equally balanced and that there is no movement in the glass anchor system.

long arm

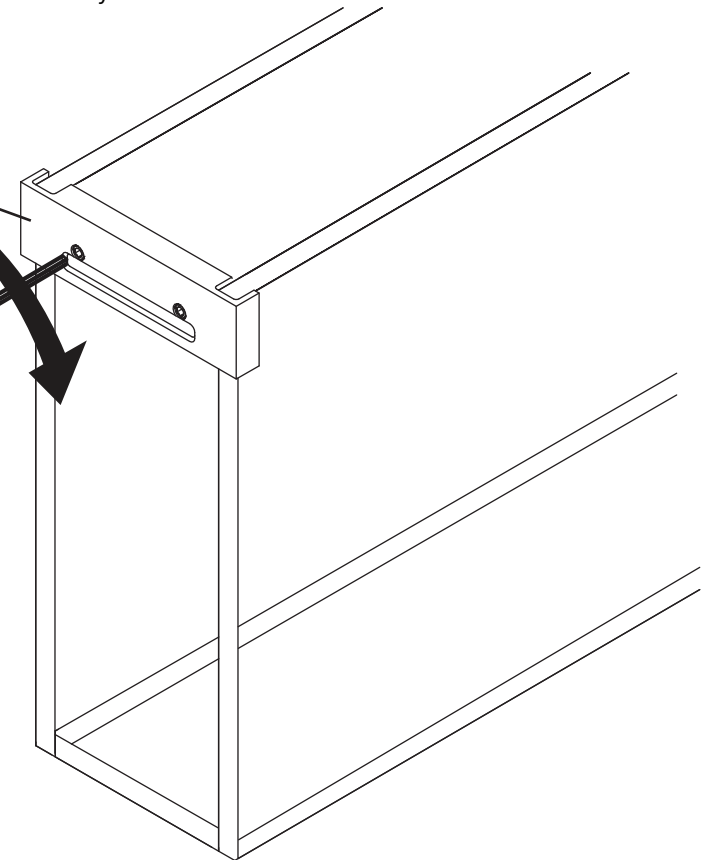


Use the long arm of the allen key to make sure not too much torque is used.

glass anchor system



**Tighten very, very gently!**



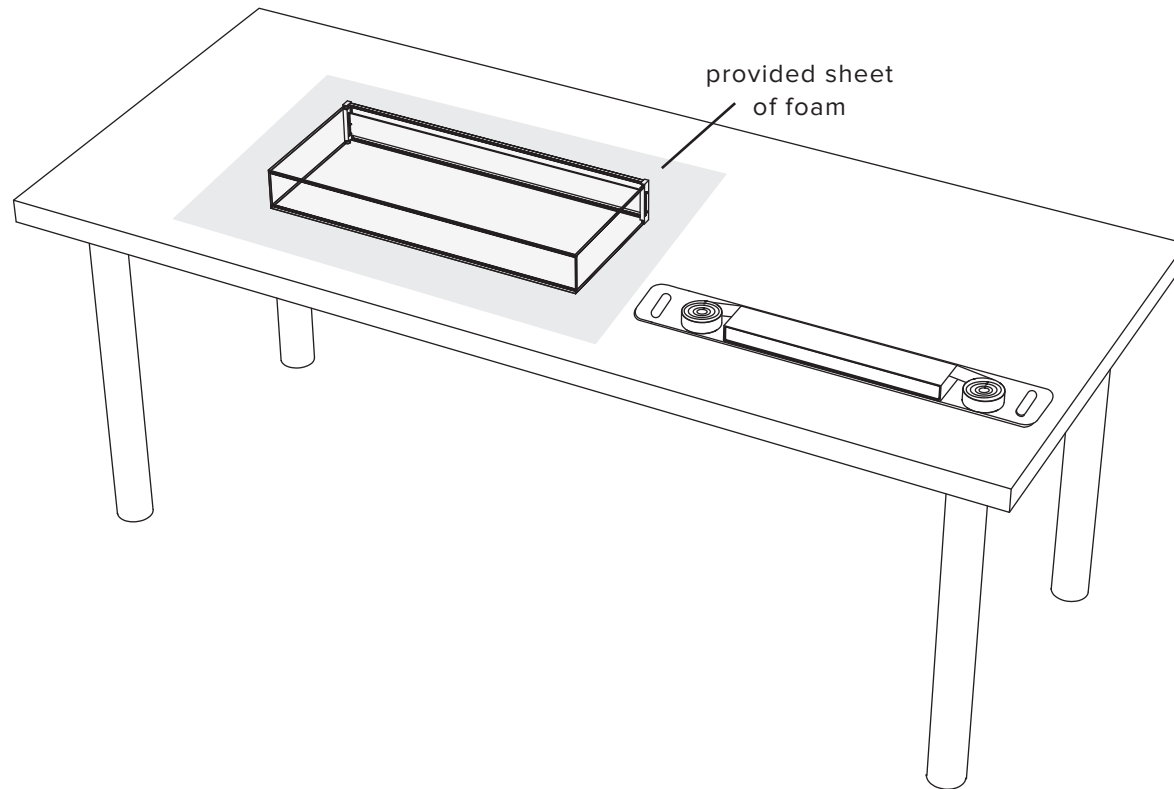
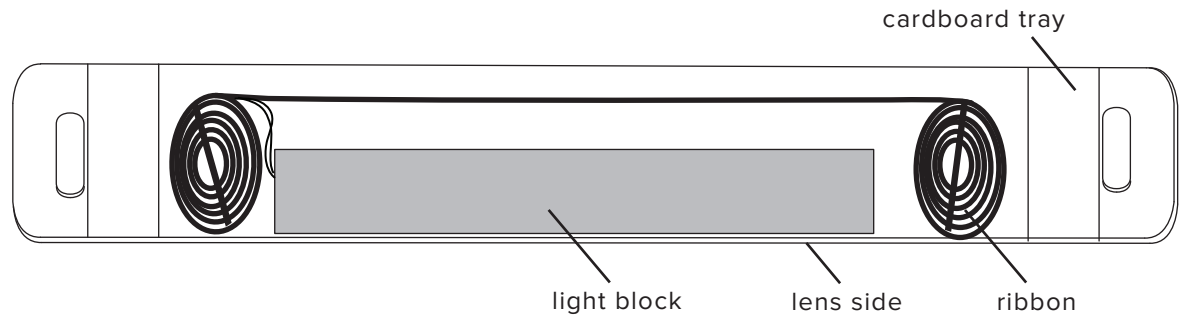


## INSTALL THE LIGHT BLOCK

9

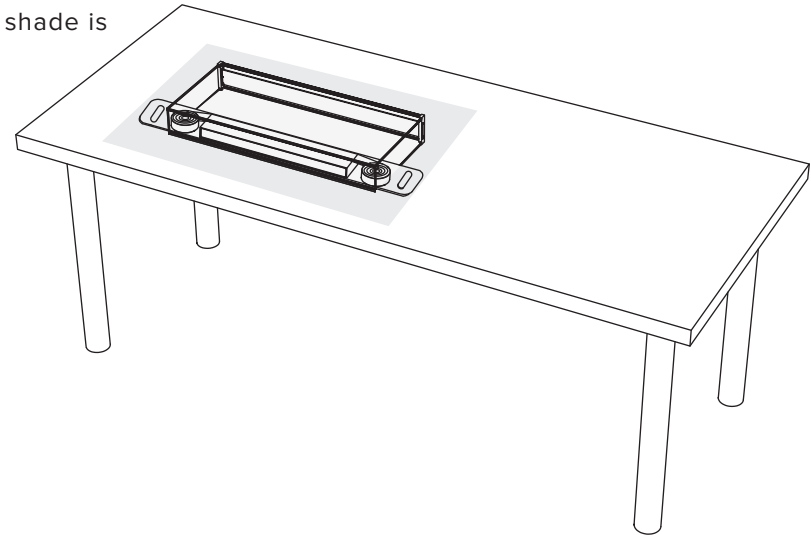
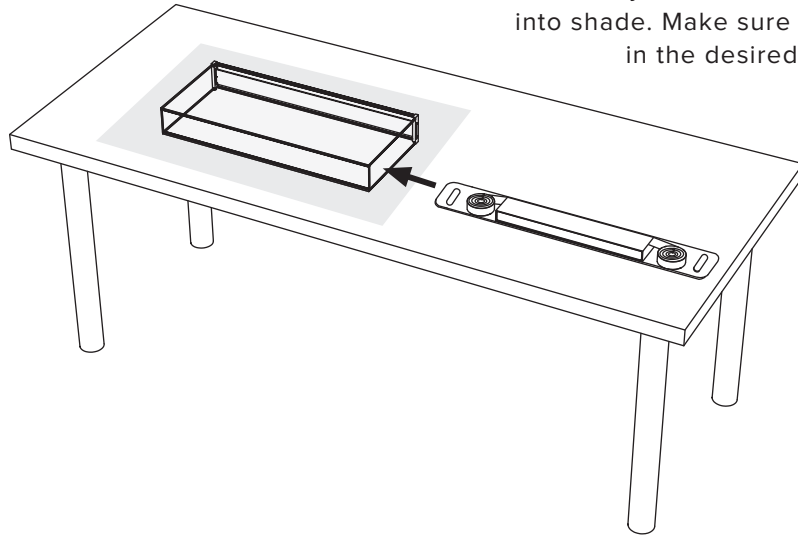
Carefully remove the cardboard tray containing the light block from the box.

Place the tray on a flat surface and unwrap the light block. Make sure to position the light block lens side close to the edge of the tray.



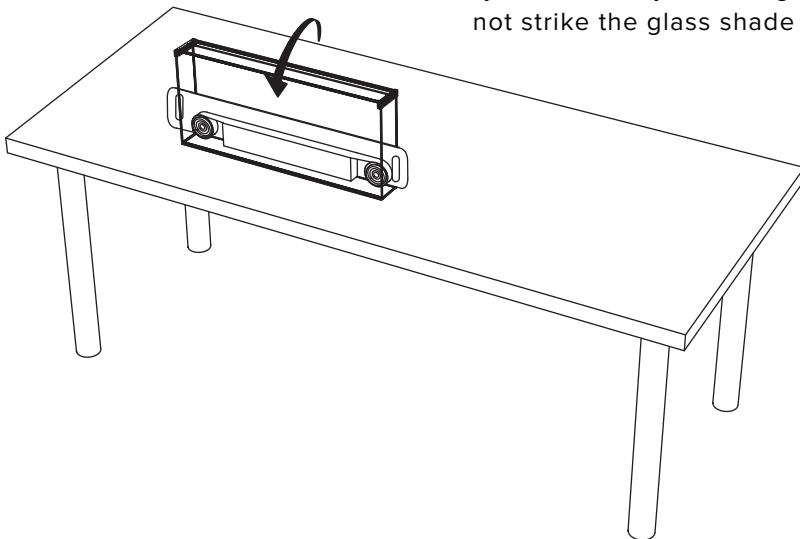
10

Carefully slide the tray and light block into shade. Make sure the glass shade is in the desired position.



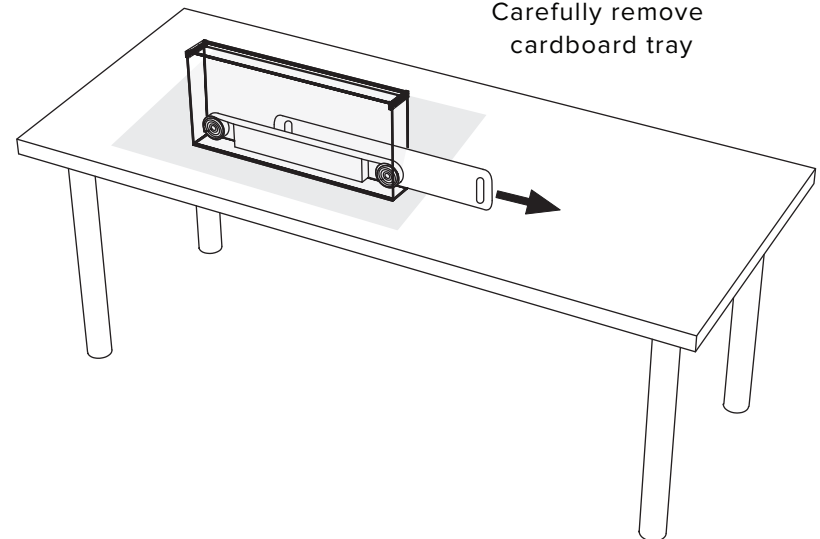
11

Carefully rotate glass shade 90° so that it sits on its side, light block downwards. Proceed slowly and carefully so the light block does not strike the glass shade too hard.



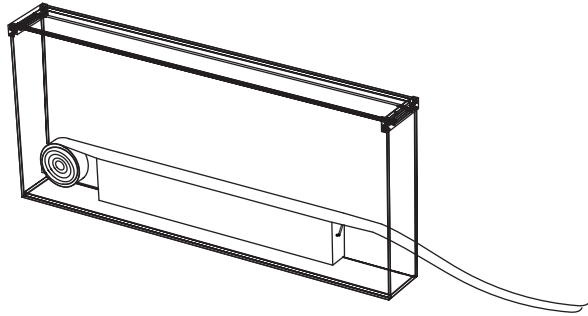
12

Carefully remove cardboard tray

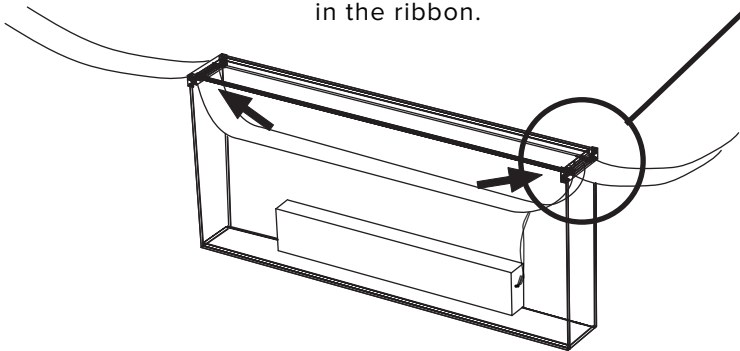


13

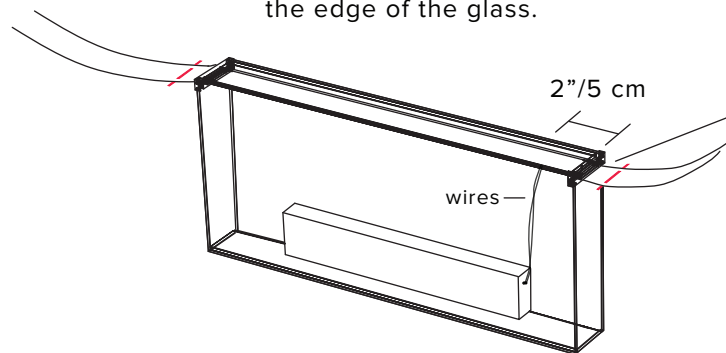
Undo twist ties holding the ribbons and un-roll them.



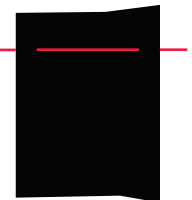
Pass both ribbons through the glass anchor system. Make sure there are no twists in the ribbon.



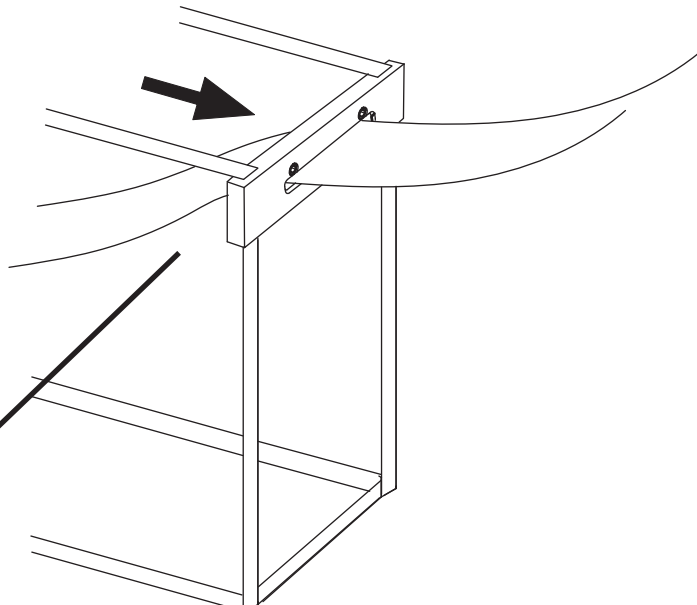
Pull ribbon until the glass shade is centered in between the two positioning threads. The wires should be approximately 2"/5cm from the edge of the glass.



**Positioning thread**



Do not remove positioning thread until the installation is complete.



# INSTALL THE LUMINAIRE

14

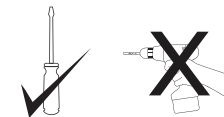
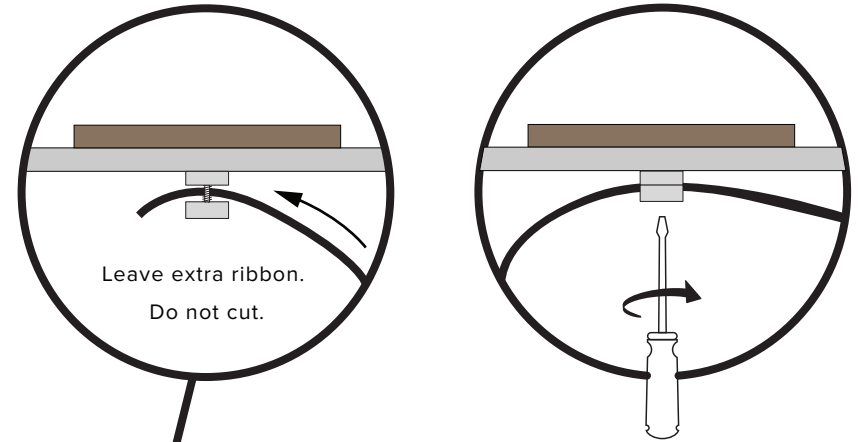
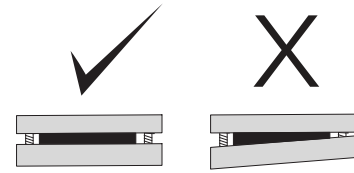
On the non-electrical side, while the glass shade is being held by two people, pass the ribbon through the ceiling anchor and tighten it when desired length is reached. Make sure there are no twists in the ribbon.



Be careful as the light block is not fixed in place.

Make sure it does not slide out.

Non-electrical Side

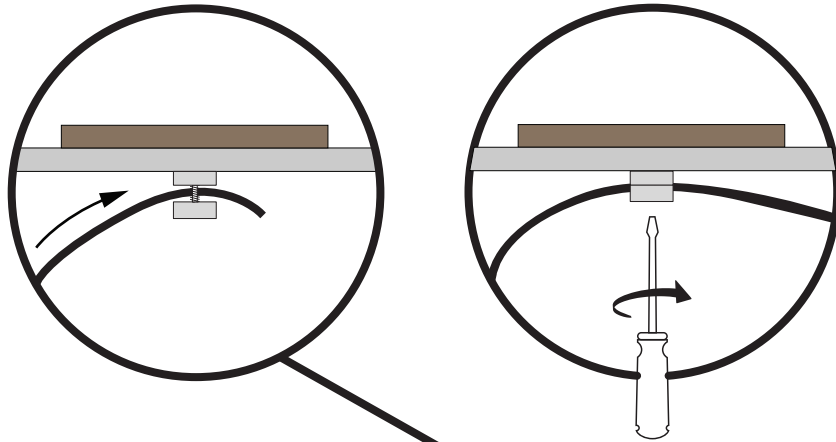
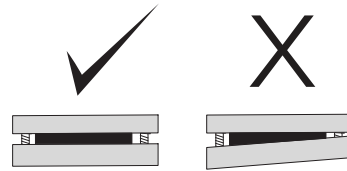


SCREW FIRMLY

15

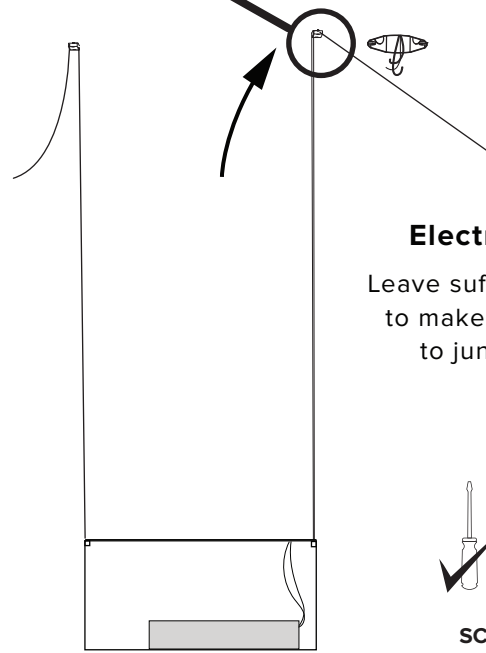
While the glass shade is being held by two people, pass the ribbon through the other ceiling anchor and tighten the anchor on the electrical side when desired length is reached.

Make sure there are no twists in the ribbon.



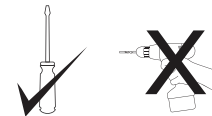
**Be careful as the light block is not fixed in place.**

**Make sure it does not slide out.**



**Electrical Side**

Leave sufficient ribbon to make connection to junction box

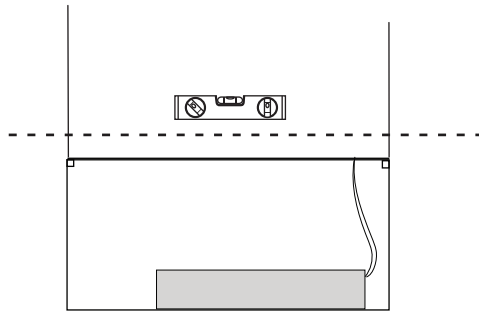


**SCREW FIRMLY**

16

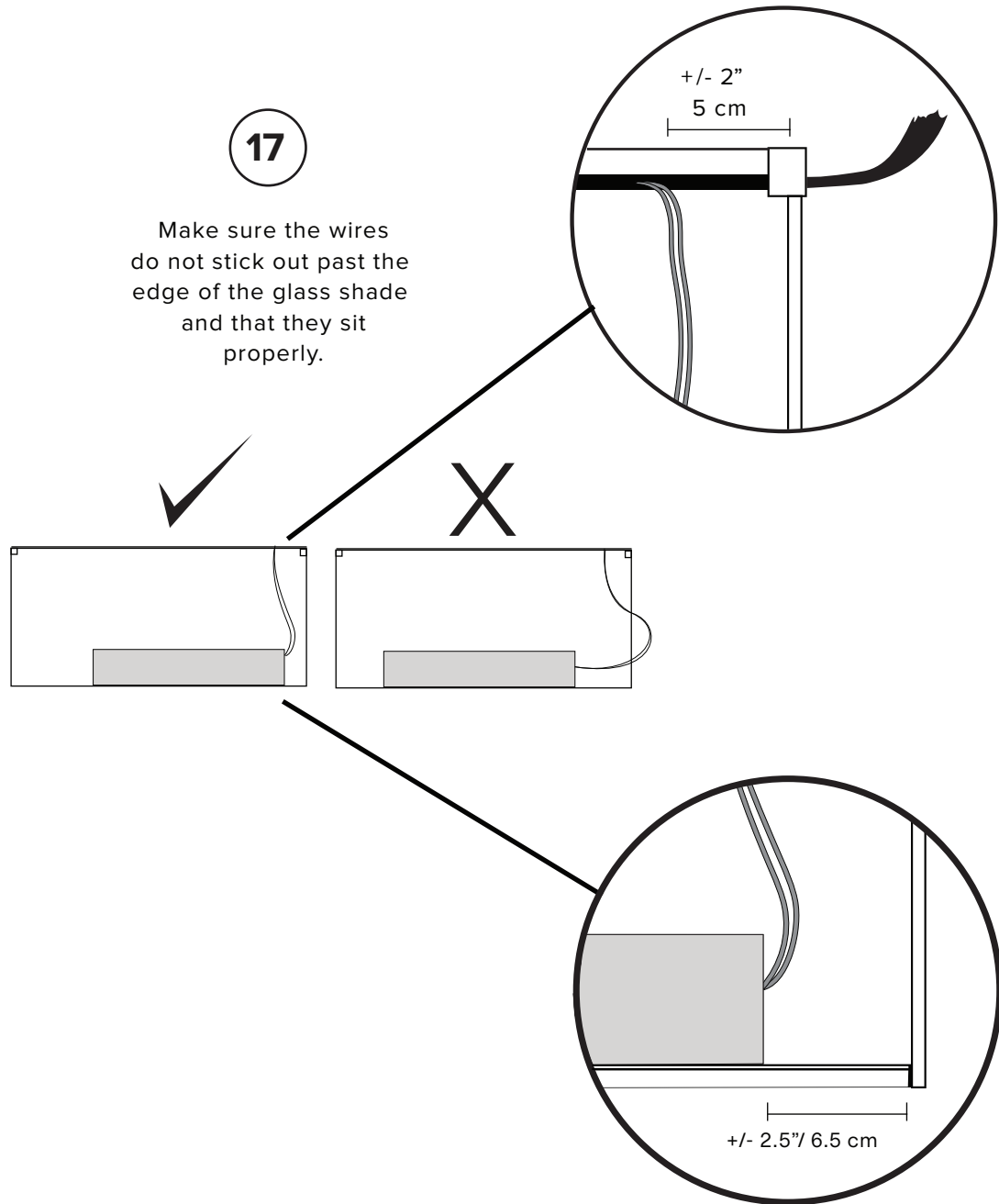
Ensure that the glass shade is level and centered in between the positioning tapes. If needed, adjust height while following steps 14 and 15. Then remove positioning tapes from the ribbon.

Make sure to not scratch or damage your glass shade.



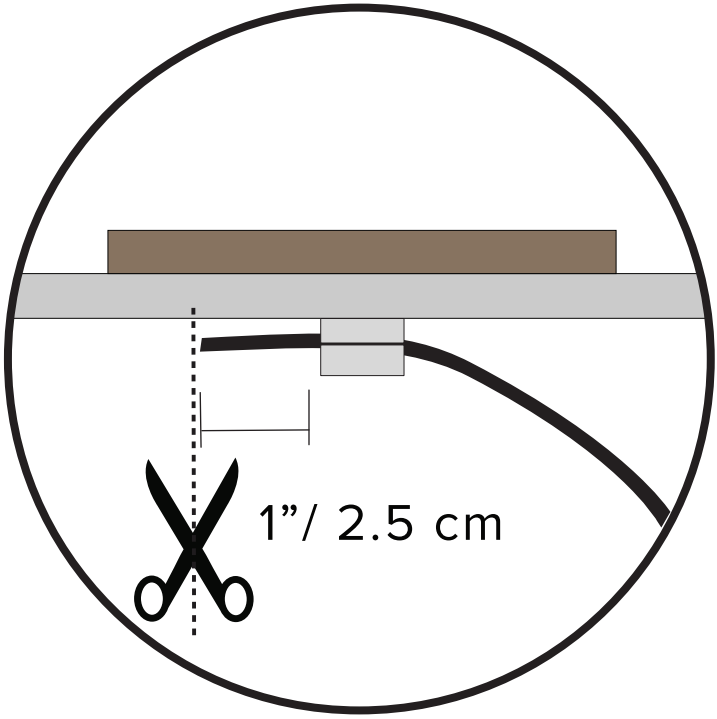
17

Make sure the wires do not stick out past the edge of the glass shade and that they sit properly.

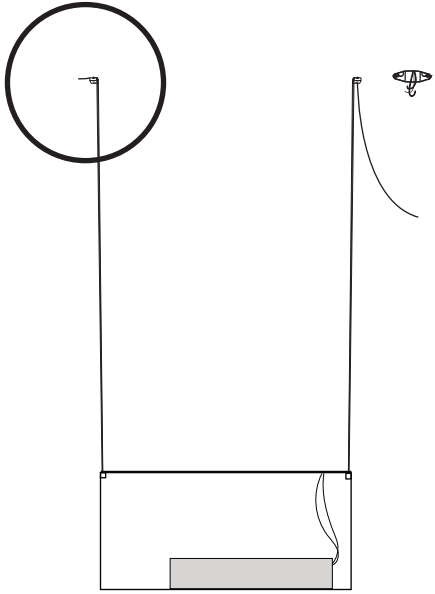


18

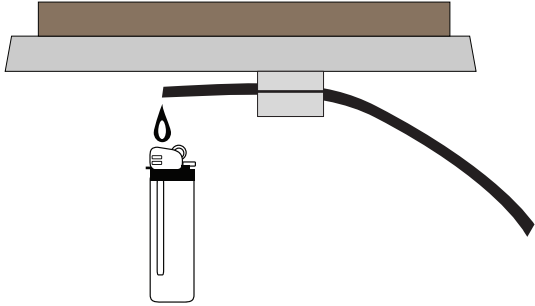
When luminaires is at the desired height and level trim ribbon 1" / 2.5 cm after the anchor.



\*One pair of scissors has been provided for each order. If you order several Saintes, only one pair will be provided.



The extremity of the trimmed ribbon can be melted with the flame of a lighter for a few seconds to prevent fraying.



Be careful not burn your fingers or the ceiling.

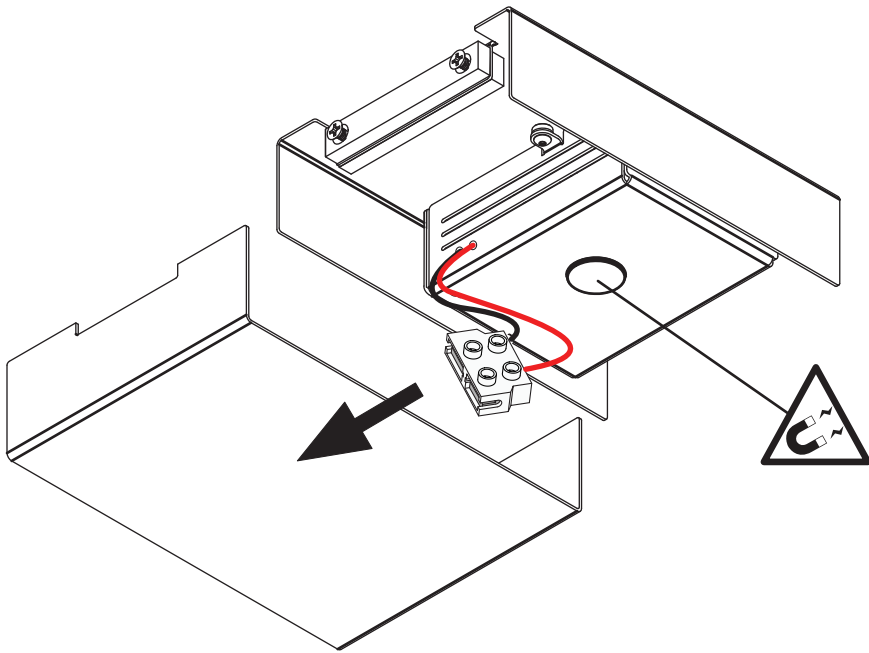
# OPEN THE CANOPY

19

Open canopy cover.  
Depending on your location  
the cover is either held in  
place by magnets or by  
2 screws.

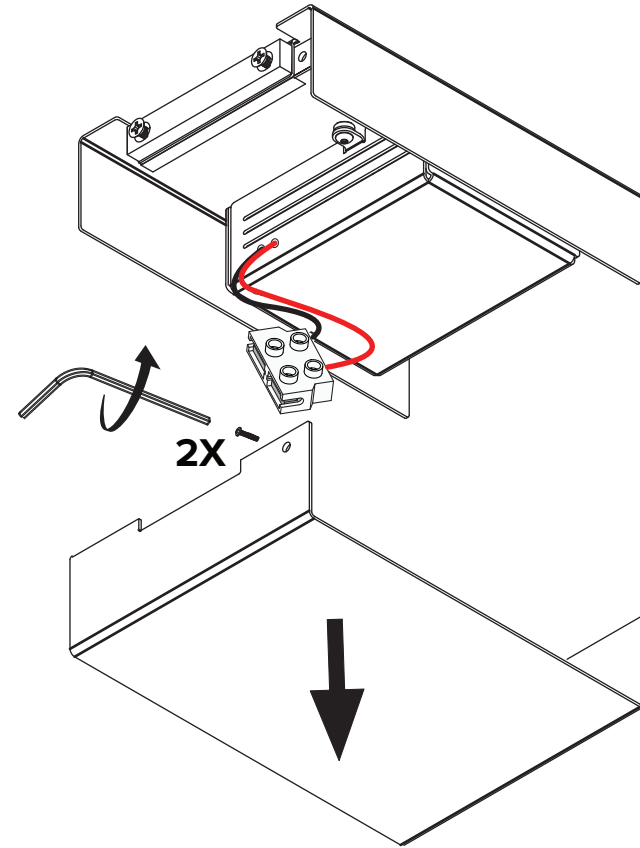
OR

Canopy with magnet



Gently slide the canopy cover away  
from the magnet.

Canopy with screws



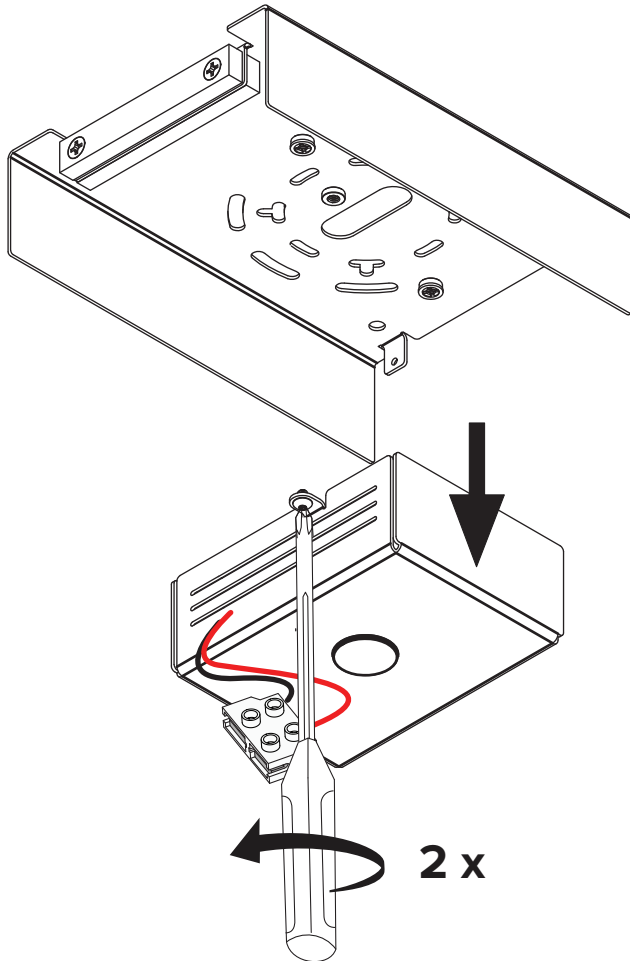
Remove the screws in the front and back  
of the canopy cover and lower it.



## INSTALL EXTENSION HARNESS

20

Unscrew driver housing. It is held in place by two screws.

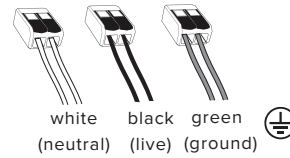


For canopies with screws, skip to step 18

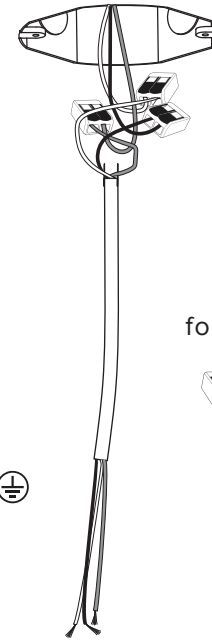
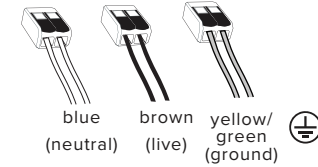
21

Connect the provided extension harness to the junction box

for 120 V wiring

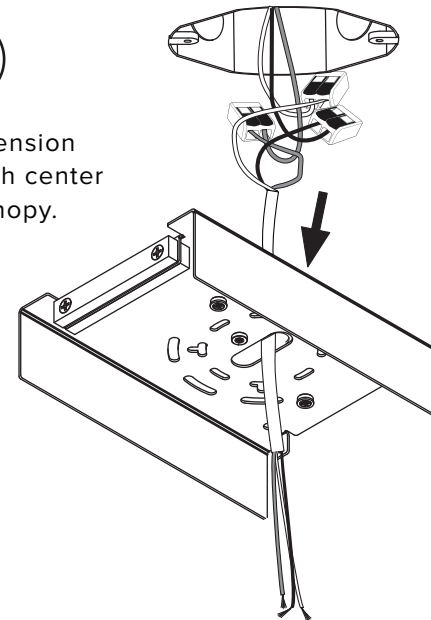


for 220-240 V wiring



22

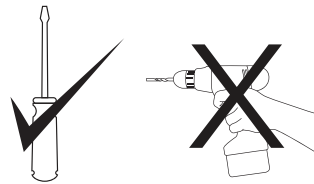
Pass the extension harness through center hole of canopy.



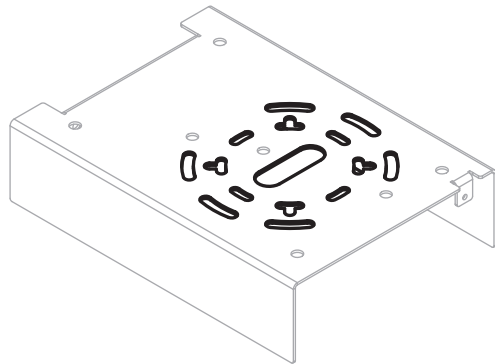
# MOUNT CANOPY BRACKET

23

The canopy can either be mounted to the junction box or directly to the ceiling using appropriate holes.

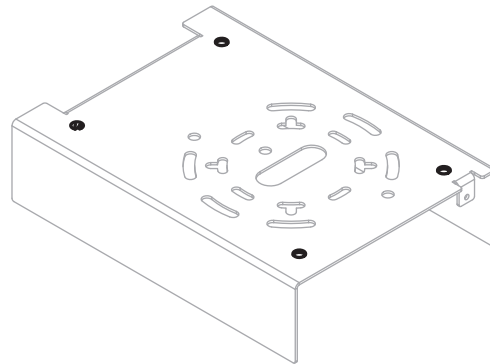


Ensure that the strain relief plate faces the lamp electrical side of the lamp ribbon.



**To junction box**

\*if the pattern does not fit your junction box, use the other installation method

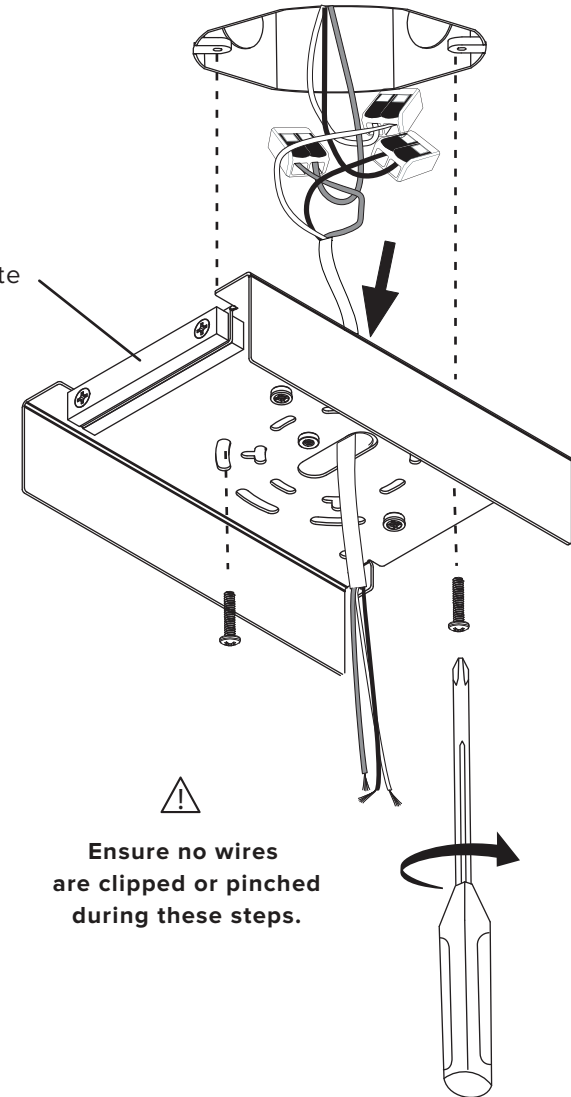


**OR**

**directly to the ceiling**

\*use appropriate anchors

Strain relief plate

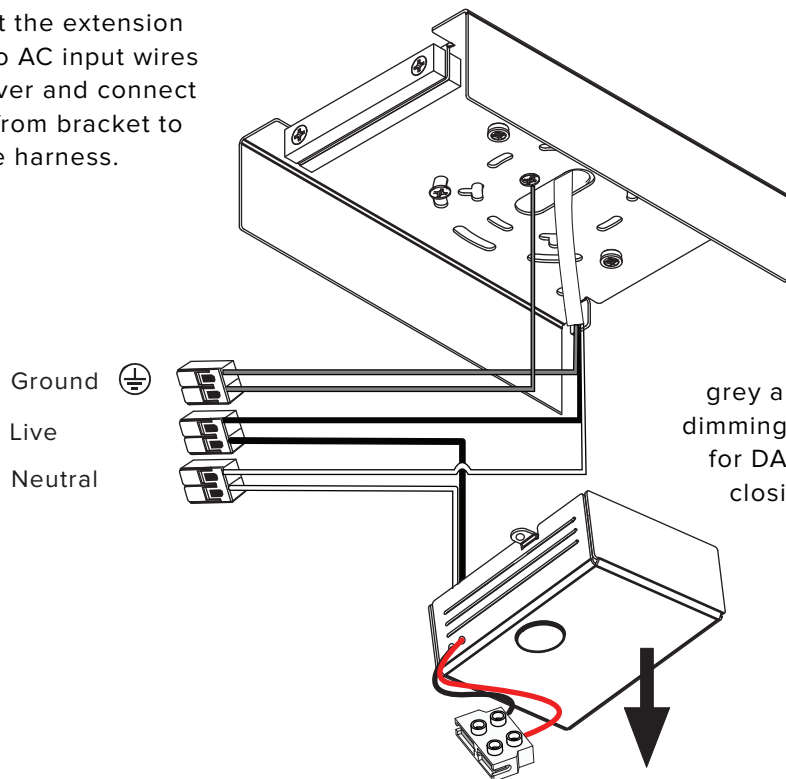



Ensure no wires are clipped or pinched during these steps.

# MAKE LINE/MAIN VOLTAGE CONNECTION TO ELECTRICAL BOX (AC)

24

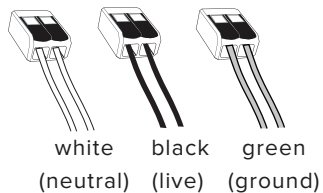
Connect the extension harness to AC input wires of the driver and connect ground from bracket to the harness.



Ground   
Live  
Neutral

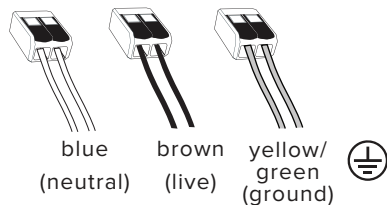
If applicable, use grey and purple wires for 0-10V dimming circuit, or the orange wires for DALI dimming circuit before closing the driver enclosure.

for 120 V wiring



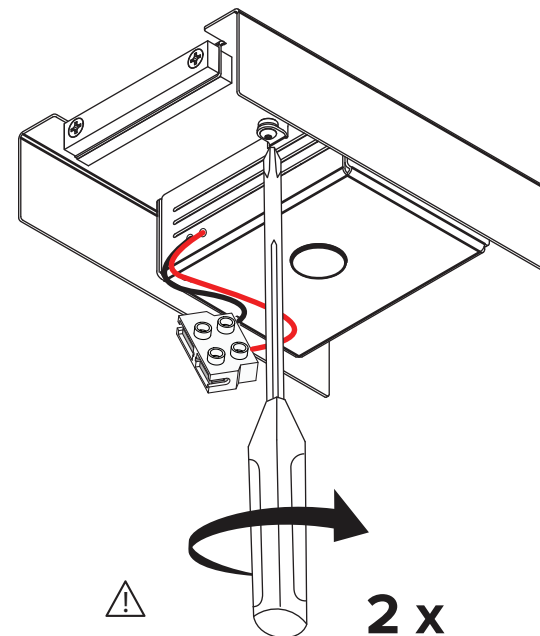
 6mm

for 220-240 V wiring



25

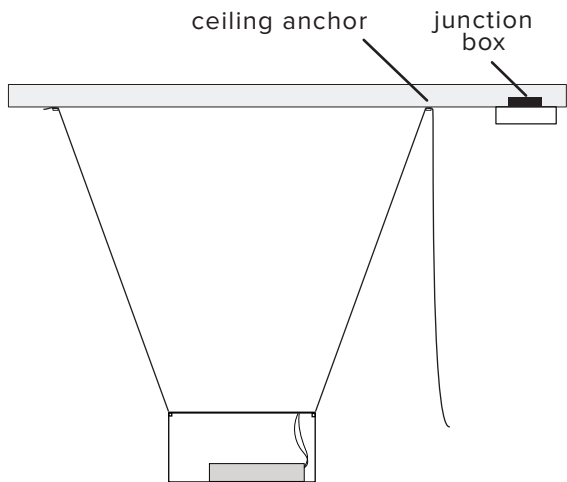
Carefully close driver enclosure. It is held by two screws.



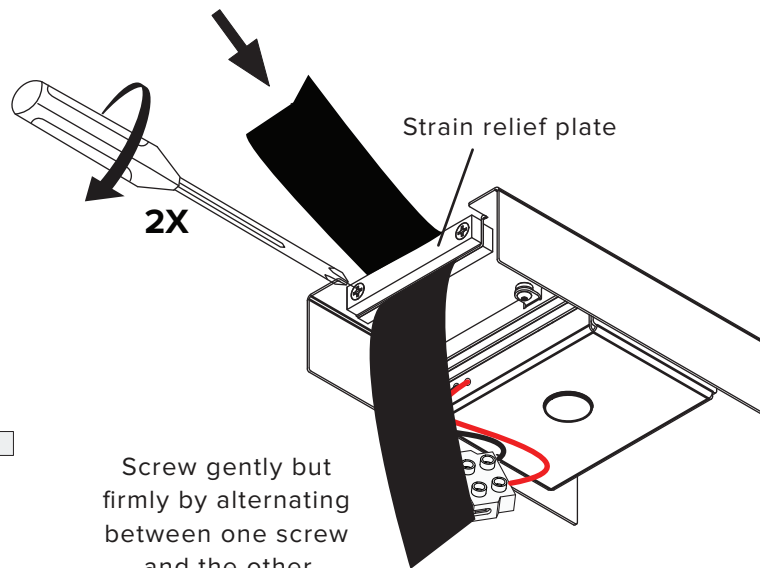
Ensure no wires are damaged during these steps.

For canopies with screws, skip to step 22.

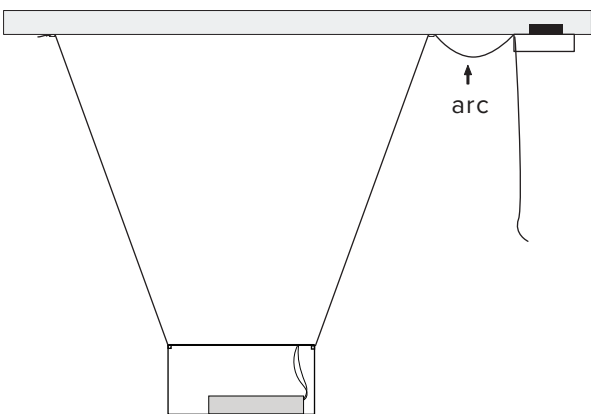
26



Insert the ribbon through the strain relief plate. Pull it down until the arc in between ceiling anchor and canopy is judged satisfying, then secure ribbon with the strain relief plate.

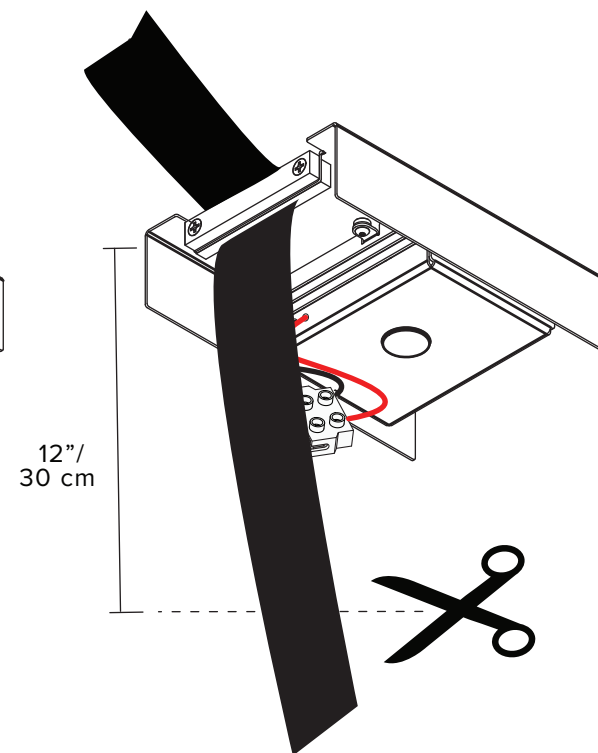


Screw gently but firmly by alternating between one screw and the other.



27

Once your desired length has been determined, using the provided scissors\* cut the ribbon accordingly. Up to 12"/30 cm of ribbon may be folded into the enclosure.

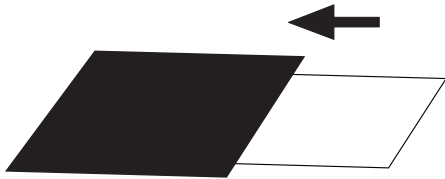


\*One pair of scissors has been provided for each order. If you order several Saintes, only one pair will be provided.

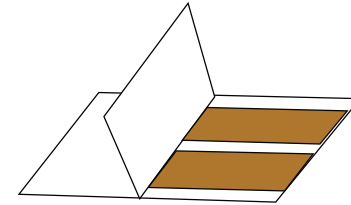
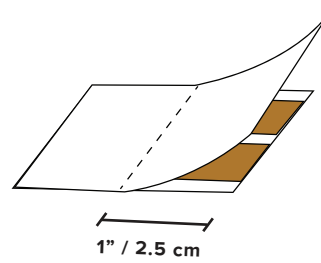
# UNSLEEVE CONDUCTORS

28

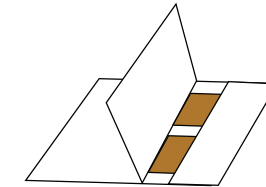
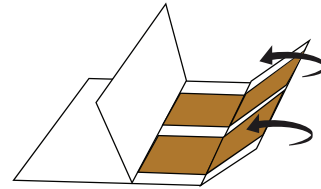
Push back the ribbon to reveal the copper conductor.



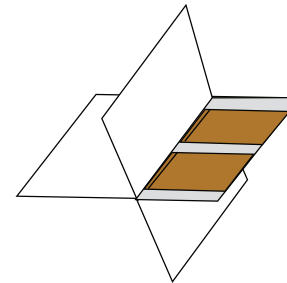
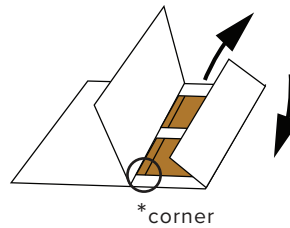
Peel off and fold 1" / 2.5 cm of the white, shiny covering.



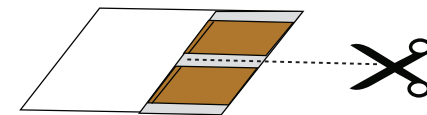
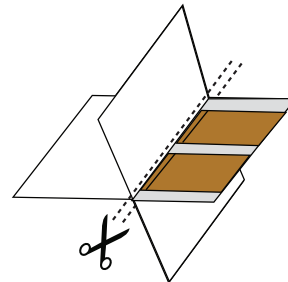
Fold the copper conductors in half onto themselves.

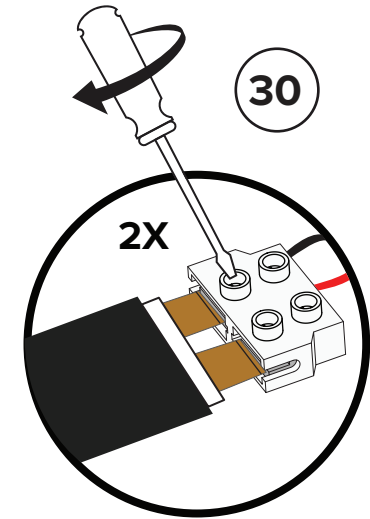
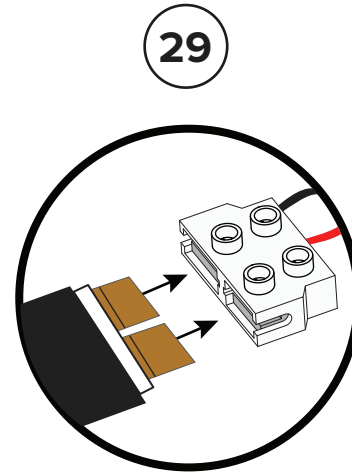
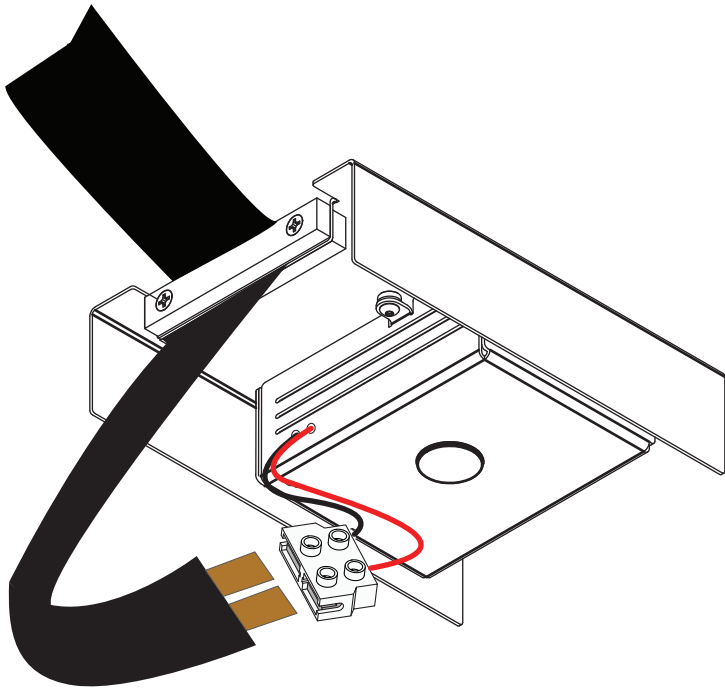


Peel off the white covering from the other side of the conductor.  
\*It is easiest to peel off from the corner of the copper wire.

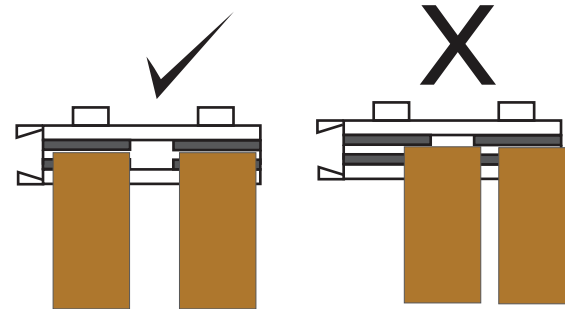


Trim off both white protective sheets.  
Then carefully cut between both conductor strips.





Both slots are the same  
and will receive either ribbon.  
(Polarity is not important)

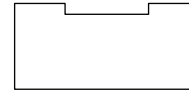


Do not overlap ribbons  
in both connectors

31

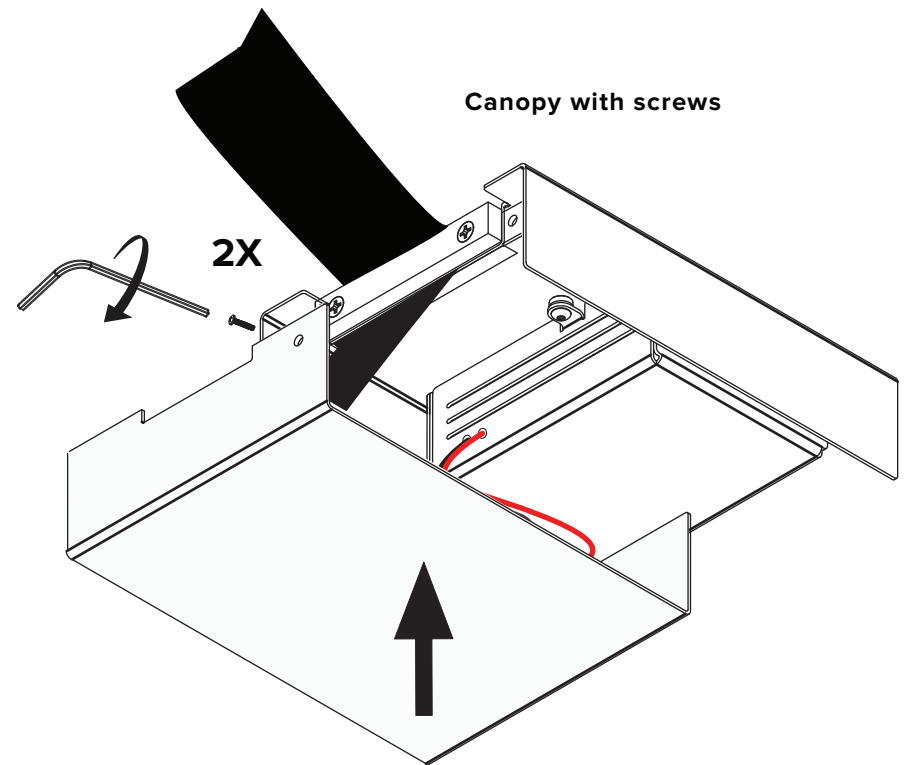
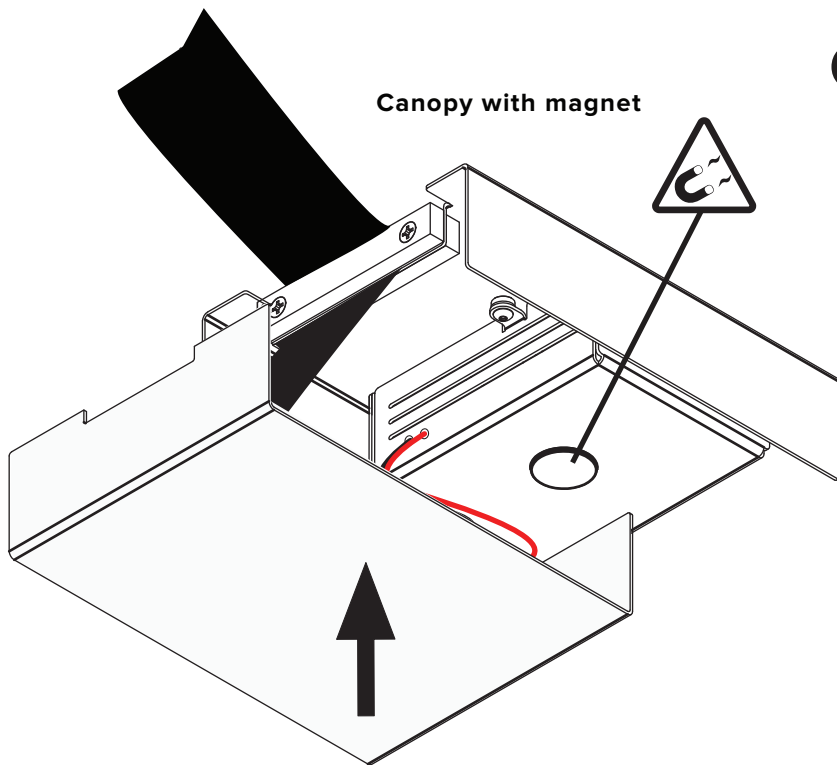
Close housing.  
The canopy cover is secured  
in place by a magnet or two screws  
depending on your model  
and location.

Carefully fold up extra  
ribbon within the housing.



Note, one side of canopy  
cover is slotted for the ribbon

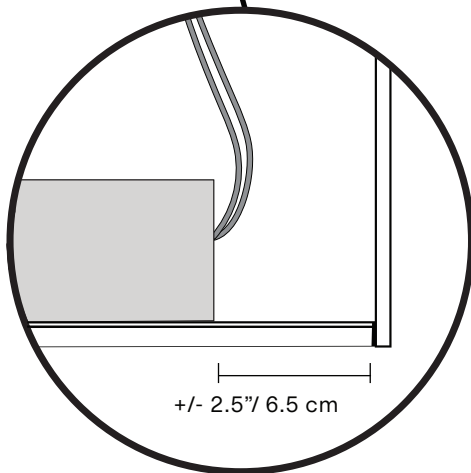
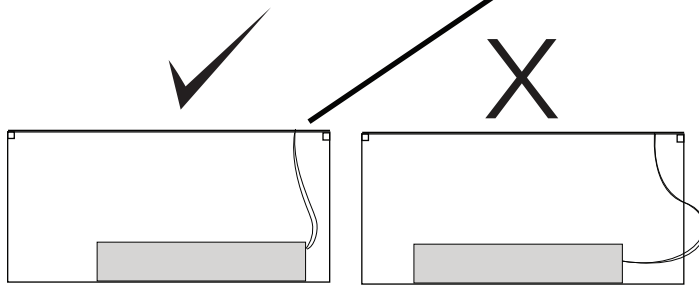
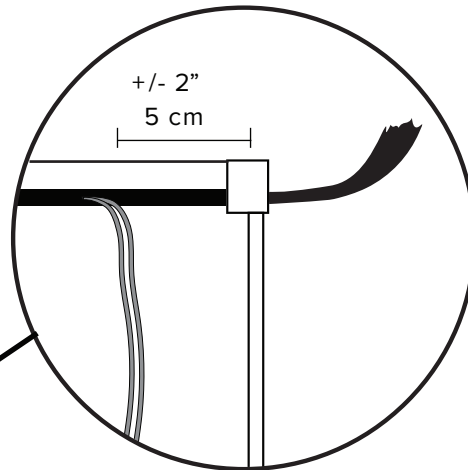
OR



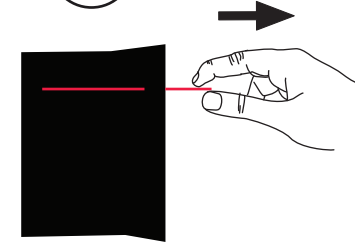
# FINAL VERIFICATION

32

Ensure the block is well positioned.  
It should be located under the exit wire,  
+/- 2.5" / 6.5 cm from the side of  
your glass shade.



33



Pull out positioning thread

34

Use a feather duster or  
microfiber cloth to remove dust.

To clean finger prints, smudges or dirt on the  
glass, gently and very carefully clean the inside  
and outside of the shade using water and  
a microfiber cloth, then a dry microfiber cloth.

Do not use abrasive products or contaminated cloth  
as it could result in scratches on the surface !



**AVOID LIQUIDS  
ON THE RIBBON, WIRES  
AND LIGHT BLOCK**

