


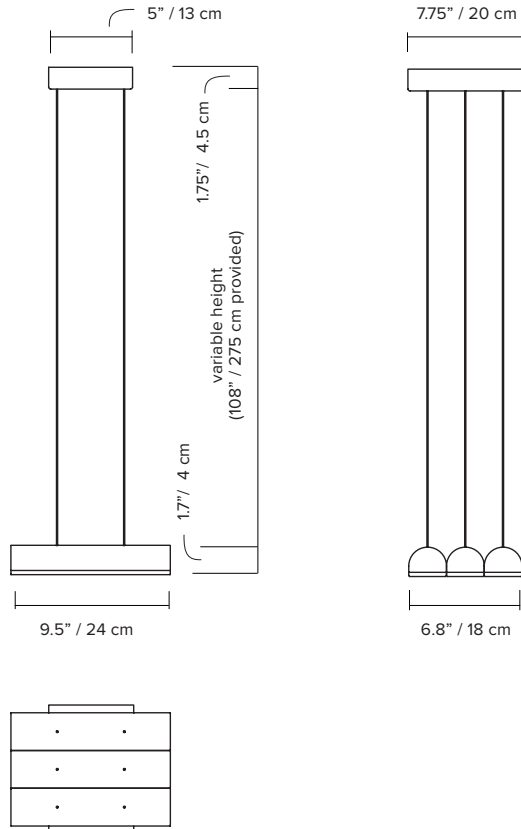


HUTCHISON 03

Hutchison is the thoughtful study of soft curves and hard lines—a rivalry of vertical and horizontal forces and a play of scale and repetition. Alone, it self-defines as a frank, decorative pendant light. In multiples, it evokes the iconic patterns of Middle Eastern archways and Roman terracotta roofs.

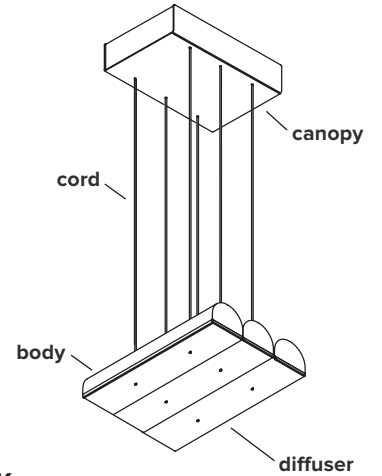
- type:** suspension
- construction:** powder coated or polished aluminum body
PMMA frosted diffuser
polyester cord
- specifications:** source: LED array, integrated
power consumption: 26W
lumen output : 2143lm
colour temperature: 2700K, dims to 2200K (Dim-to-Warm)
colour rendering index: ≥90 CRI
colour consistency: 3 SDCM
expected lifetime: 50 000h
- control:** 120-277V: On/Off, 0-10V, Phase Dimming (120V only)
220-240V: On/Off, 0-10V, Phase Dimming (Trailing Edge only)
refer to our recommended list of dimmer models
- cord length:** 108" / 275 cm
- weight:** 5.1 lb / 2.4kg
- certifications:**     IP20
- warranty:** 2 years



ORDER GUIDE: SKU

COLLECTION	MODEL	BODY	CORD	CANOPY
HUT hutchison	03	BK black WH white TC terracota BG beige AL aluminium	BK black WH white	BK black WH white TC terracota BG beige AL aluminium
HUT	03	BK	BK	BK

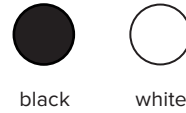
= HUT03BKBKBK
example



FINISH



CORD



NOTES:

- must be installed by an electrician
- LED may only be changed by Lambert & Fils or other authorized personnel
- offset option available upon request
- not protected against liquids (refer to IP20)
- additional charges for modifications or for special orders
- please refer to maintenance sheet on website for cleaning instructions

DIMMER SPECIFICATIONS

TESTED DIMMER COMPATIBILITY LIST - 120V*

Compatible with 0-10V, Phase dimming (leading edge or trailing edge**)

Dimmer brand	Model	Dimmer protocol	Min level	Max level
Leviton	VPE06	Phase dimming	11%	100%
Lutron	DVELV303P	Phase dimming	8%	100%
Lutron	SELV300P	Phase dimming	8%	100%
Lightolier	ZP260QEW	Phase dimming	11%	100%
Lutron	FAELV500	Phase dimming	15%	100%
Lutron	MAELV600	Phase dimming	15%	100%
Leviton	IPE04	Phase dimming	8%	100%

TESTED DIMMER COMPATIBILITY LIST - 230V*

Compatible with 0-10V, Phase dimming (trailing edge only**)

Dimmer brand	Model	Dimmer protocol	Min level	Max level
Clipsal	32E450UDM	Phase dimming	18%	100%
Clipsal	32E450TM	Phase dimming	30%	99%

Some dimmers require a minimum load, check specifications.

*Other dimmers can yield good results and we recommend conducting your own test before final installation

**Leading edge is also known as TRIAC or Forward Phase. Trailing edge is also known as ELV or Reverse Phase.

EU ENERGY LABEL

