



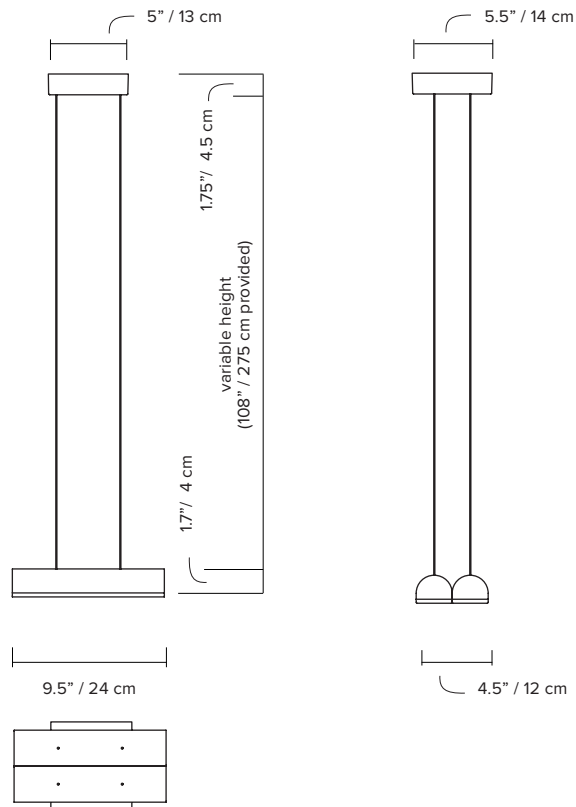


HUTCHISON 02

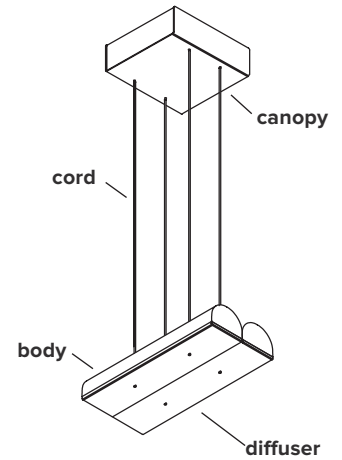
Hutchison is the thoughtful study of soft curves and hard lines—a rivalry of vertical and horizontal forces and a play of scale and repetition. Alone, it self-defines as a frank, decorative pendant light. In multiples, it evokes the iconic patterns of Middle Eastern archways and Roman terracotta roofs.

type:	suspension
construction:	powder coated or polished aluminum body PMMA frosted diffuser polyester cord
specifications:	source: LED array, integrated power consumption: 19W lumen output : 1524lm colour temperature: 2700K, dims to 2200K (Dim-to-Warm) colour rendering index: ≥90 CRI colour consistency: 3 SDCM expected lifetime: 50 000h
control:	120-277V: On/Off, 0-10V, Phase Dimming (120V only) 220-240V: On/Off, 0-10V, Phase Dimming (Trailing Edge only) refer to our recommended list of dimmer models
cord length:	108" / 275 cm
weight:	3.4lb / 1.6kg
certifications:	    IP20
warranty:	2 years



ORDER GUIDE: SKU

COLLECTION	MODEL	BODY	CORD	CANOPY
HUT hutchison	02	BK black	BK black	BK black
		WH white	WH white	WH white
		TC terracota		TC terracota
		BG beige		BG beige
		AL aluminium		AL aluminium
HUT	02	BK	BK	BK



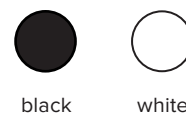
COLOUR TEMPERATURE (CCT)	DIMMING
WL warm light (2700K)	ZT 0-10V dimming
NL neutral light (3000K)	OT 1-10V dimming
D27 dim to warm (2700K to 2200K)	PH phase dimming
D30 dim to warm (3000K to 2200K)	
V variable	
WL	ZT = HUT02BKBKBLWLZT

example

FINISH



CORD



NOTES:

- must be installed by an electrician
- LED may only be changed by Lambert & Fils or other authorized personnel
- offset option available upon request
- not protected against liquids (refer to IP20)
- additional charges for modifications or for special orders
- please refer to maintenance sheet on website for cleaning instructions

DIMMER SPECIFICATIONS

TESTED DIMMER COMPATIBILITY LIST - 120V*

Compatible with 0-10V, Phase dimming (leading edge or trailing edge**)

Dimmer Brand	Dimmer Model	Dimmer protocol	Min level	Max level
Leviton	VPE06	Phase dimming	8%	100%
Lutron	DVELV303P	Phase dimming	5%	100%
Lutron	SELV300P	Phase dimming	5%	100%
Lightolier	ZP260QEW	Phase dimming	8%	100%
Lutron	FAELV500	Phase dimming	10%	100%
Lutron	MAELV600	Phase dimming	10%	100%
Leviton	IPE04	Phase dimming	10%	100%

TESTED DIMMER COMPATIBILITY LIST - 230V*

Compatible with 0-10V, Phase dimming (trailing edge only**)

Dimmer Brand	Model	Dimmer protocol	Min level	Max level
Clipsal	32E450UDM	Phase dimming	22%	100%
Clipsal	32E450TM	Phase dimming	17%	100%

Some dimmers require a minimum load, check specifications.

*Other dimmers can yield good results and we recommend conducting your own test before final installation

**Leading edge is also known as TRIAC or Forward Phase. Trailing edge is also known as ELV or Reverse Phase.

EU ENERGY LABEL

