

HUTCHISON



type: suspension

materials: body: powder coated aluminum
lens: PMMA
hardware: powder coated aluminum
wire: waxed cotton

wire length: 108"

weight: 1.7 lb/ 0.8 kg (01), 3.4 lb/ 1.6 kg (02), 5.1 lb/ 2.4 kg (03), 6.8 lb/ 3.2 kg (04)

light source: 8W (01), 16W (02), 24W (03), 32W (04)

voltage: 120V / 277V

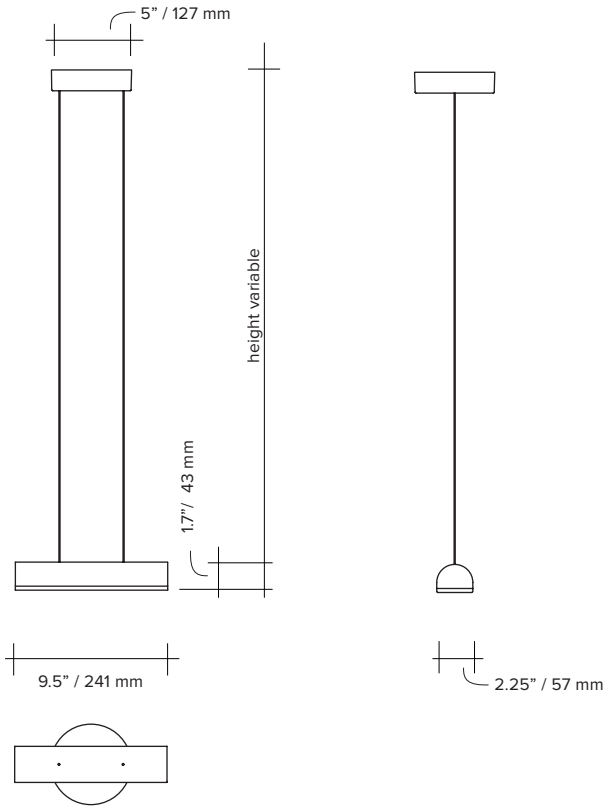
dimmer: refer to our recommended list of dimmer models

certifications:     

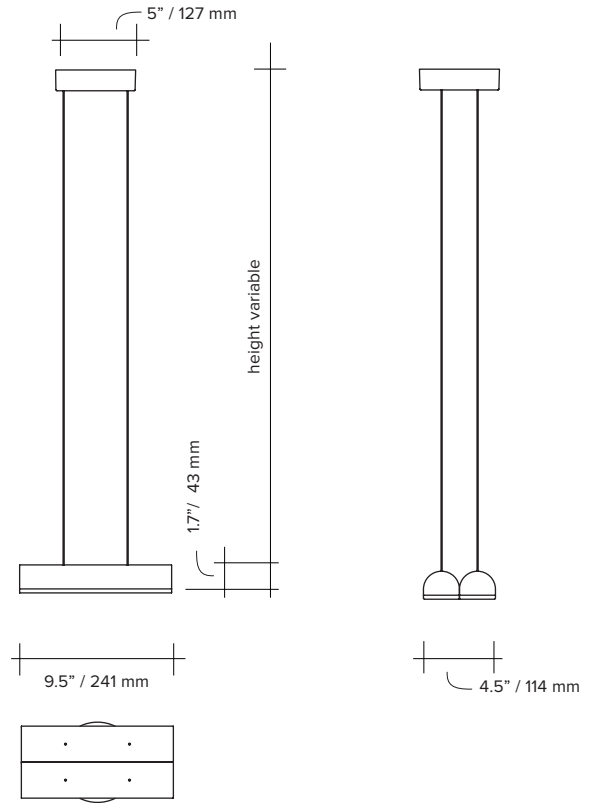
notes:

- must be installed by an electrician
- additional charges for modifications or for special orders
- dimensions are approximate and may vary slightly
- lead time 12 weeks

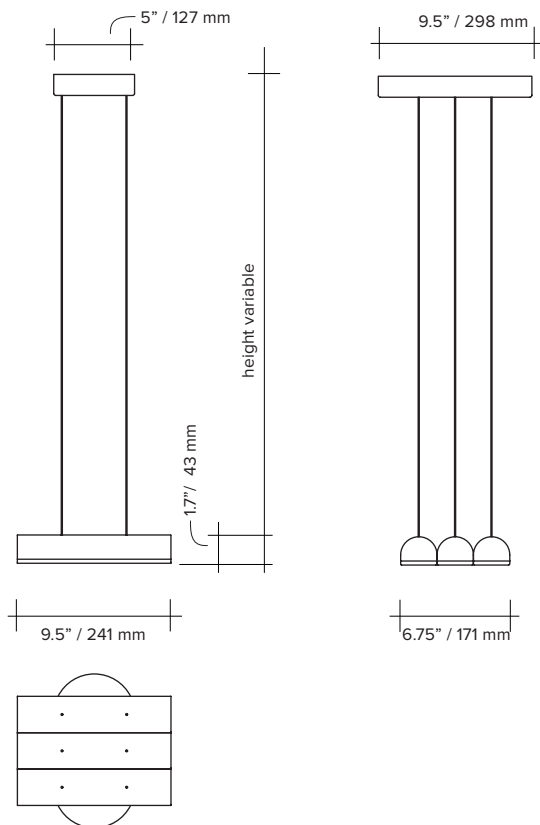
HUTCHISON 01



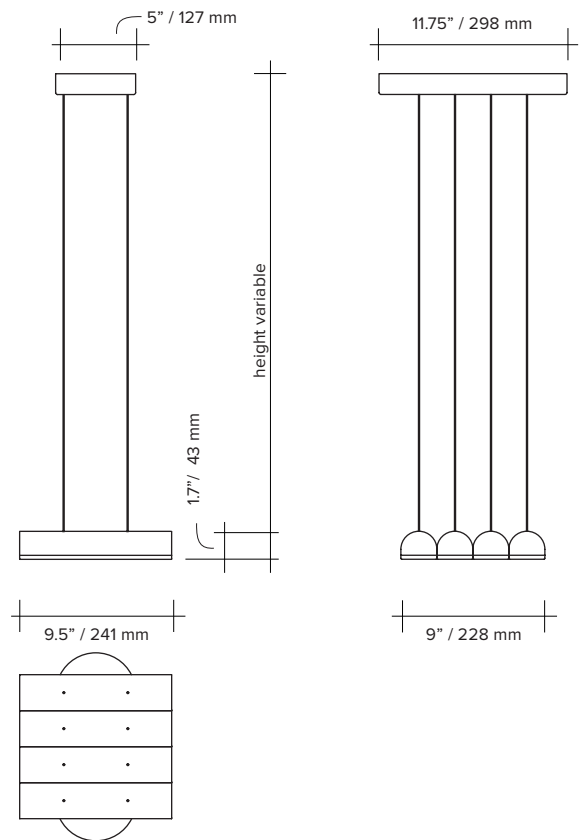
HUTCHISON 02



HUTCHISON 03



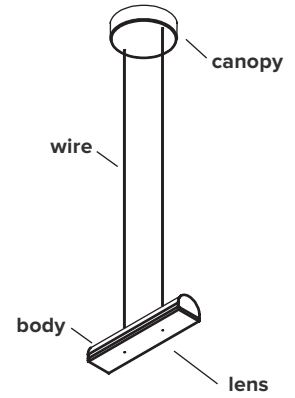
HUTCHISON 04



ORDER GUIDE: SKU

COLLECTION	MODEL	COLOUR	COLOUR (canopy)
HUT hutchison	01	BL black	WH white
	02	TC terra cota	
	03	TU turquoise	
	04		
HUT	01	BL	WH

= HUT01BLWH
example



COLOUR (body)



textured black



textured terra cotta



textured turquoise

COLOUR (wire)



black

COLOUR (canopy)

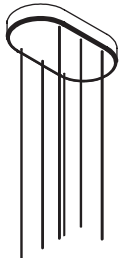


flat white

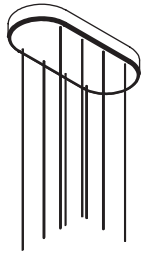
CANOPIES



Hutchison 01, 02



Hutchison 03

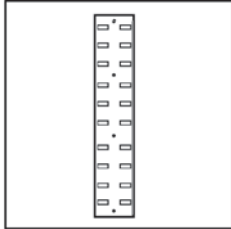


Hutchison 04

LIGHT SOURCE & DIMMER SPECIFICATIONS

DC LOW VOLTAGE LED BOARD

Replacement parts available through Lambert & Fils



HUTCHISON 01

8 W
Driver input 120-277V
LED board delivered 700 lumen
LED DIM TO WARM
50 000 H
CRI ≥ 90
2 years warranty
3 SDCM consistency

HUTCHISON 02

16 W
Driver input 120-277V
LED board delivered 1400 lumen
LED DIM TO WARM
50 000 H
CRI ≥ 90
2 years warranty
3 SDCM consistency

HUTCHISON 03

24 W
Driver input 120-277V
LED board delivered 2100 lumen
LED DIM TO WARM
50 000 H
CRI ≥ 90
2 years warranty
3 SDCM consistency

HUTCHISON 04

32 W
Driver input 120-277V
LED board delivered 2800 lumen
LED DIM TO WARM
50 000 H
CRI ≥ 90
2 years warranty
3 SDCM consistency