



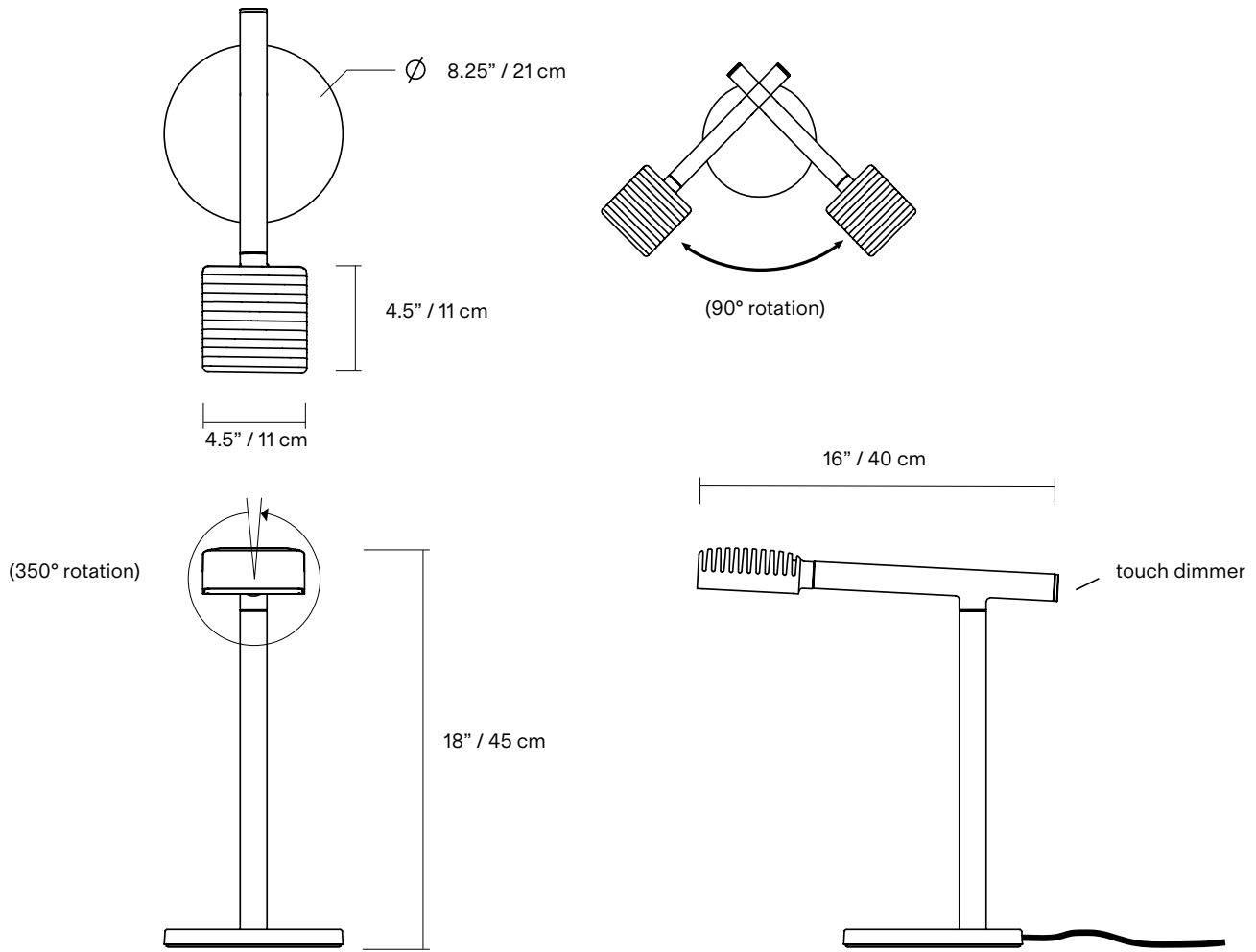


# DORVAL 02



Based on SCMP DESIGN OFFICE's original pendant prototype Dorval 01, this collection is layered in history, a subtle interplay between contemporary and vintage industrial design. Drawing equal inspiration from airport runway lights and the classic Motobecane french moped, the result is a light both confrontational and intriguing—one which poses an immediate invitation to play.

<b>TYPE</b>	Task lamp
<b>CONSTRUCTION</b>	Powder coated or polished aluminum body, head and base Clear prismatic PMMA lens Polyester or aluminum cord
<b>SPECIFICATIONS</b>	Source: LED array, integrated Power consumption: 5W Color temperature: Lamp is set to dim to warm mode (3000K to 2200K) Fix CCT available, refer to touch dimmer control page Lumen output: 3000K - 402 lm Colour rendering index: ≥90 CRI Colour consistency: 3 SDCM Expected lifetime: ≥50 000h
<b>CONTROL</b>	90-264VAC Plug-in Driver, integrated touch dimmer
<b>CORD LENGTH</b>	96" / 244 cm
<b>WEIGHT</b>	12.65lb / 5.74kg
<b>CERTIFICATIONS</b>	    IP20
<b>WARRANTY</b>	2 years



\*dimensions are approximate and may vary slightly

## FINISH



**BK**  
Textured  
black



**WH**  
Textured  
white



**MB**  
Textured  
midnight  
blue



**BG**  
Textured  
beige



**AL**  
Polished  
aluminum

## CORD



**BK**  
Black



**WH**  
White



**MB**  
Midnight  
blue



**BG**  
Beige

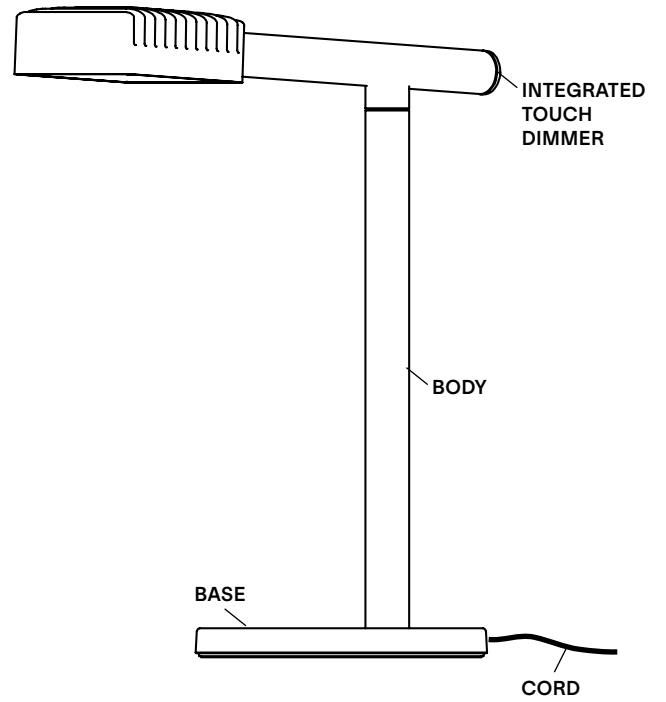


**AL**  
Aluminum

## NOTES

- LED may only be changed by Lambert & Fils or other authorized personnel
- not protected against liquids (refer to IP20)
- additional charges for modifications or for special orders
- please refer to maintenance sheet on our website for cleaning instructions

## LAMP ANATOMY



		Example	Fill with your selection
<b>COLLECTION</b>	<b>DORVAL</b> Dor	<b>DOR</b>	<b>DOR</b>
<b>MODEL</b>	<b>02</b>	<b>02</b>	<b>02</b>
<b>FINISH</b>	<b>BK</b> Textured Black <b>WH</b> Textured White <b>MB</b> Textured Midnight Blue <b>BG</b> Textured Beige <b>TC</b> Textured Terracotta <b>AL</b> Aluminum	<b>BK</b>	
<b>CORD</b>	<b>BK</b> Black <b>WH</b> White <b>MB</b> Midnight Blue <b>BG</b> Beige <b>TC</b> Terracotta <b>AL</b> Aluminum	<b>BK</b>	
<b>FULL SKU</b>		<b>DOR02BKBK</b>	
		<b>NOTES</b>	

\*Custom colour available upon request. Material library on website.

## TOUCH DIMMER CONTROL

### GENERAL NOTES

The touch dimmer is located on the end cap of the horizontal arm.  
The luminaire is preset to dim-to-warm mode (3000K-2200K). Other options available, refer to programming section below.  
When plugging in the luminaire, wait 5 seconds before touching the sensitive end cap.

### STANDARD OPERATIONS

1 or 2 touches = Turn ON/OFF

1 constant touch when light is OFF = Light dims up from 0%

1 constant touch when light is ON = Light dims up/down alternatively

3 touches = Turn ON 100%

### PROGRAMMING

4 touches = Cycle colour temperature (CCT) value between 2200K-2700K-3000K-3500K-4000K.  
Repeat the 4 touches in between each value. Light will blink to indicate it has switched from a value to the other.

5 touches = Set to dim-to-warm mode ( 3000K to 2200K). Light will blink two times to indicate it has recorded the value.  
Repeat the 5 touches to set to dim-to-warm mode (2700K to 2200K). Light will blink two times to indicate it has recorded the value.

