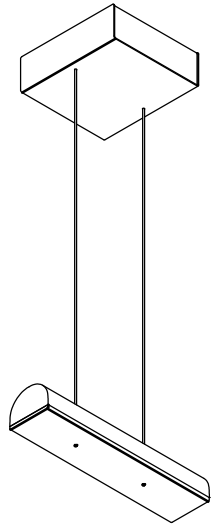




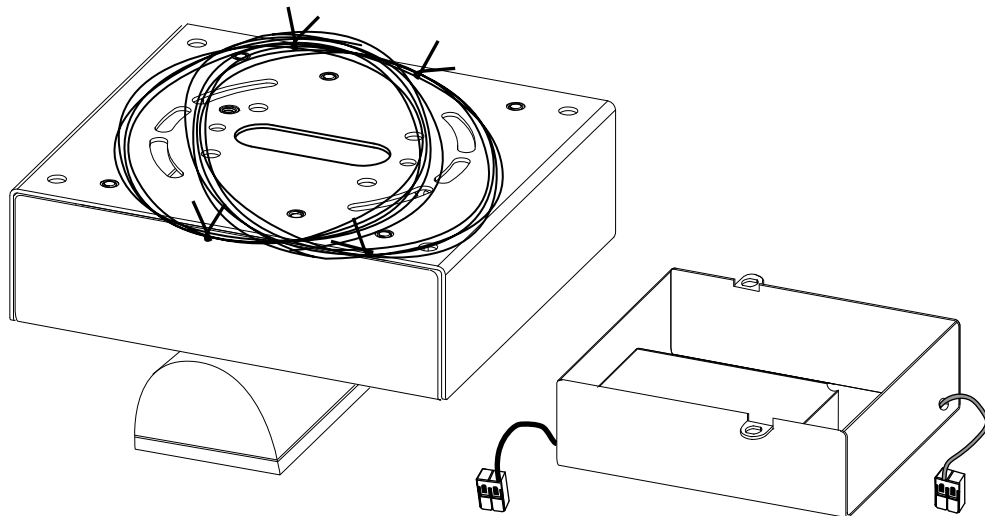
HUTCHISON





- To be installed by an electrician to an electrical box
- LED may only be changed by Lambert & Fils or other authorized personnel
- Use appropriate screws where necessary
- Use appropriate anchors and ensure your electrical box can hold the weight of the luminaire.
- Wear enclosed gloves when handling lamp
- Handle materials with care. Please consult lamp maintenance sheet on our web site

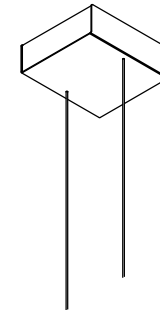




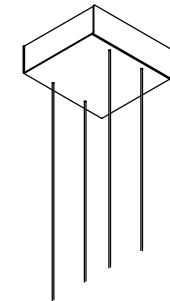
PLEASE NOTE

THIS IS AN EXAMPLE OF THE HUTCHISON 01.
HOWEVER, THE 02, 03 AND 04 FOLLOW
THE SAME INSTALLATION PROCESS.

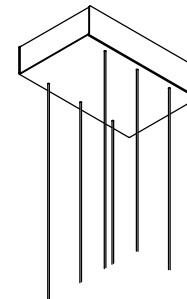
Hutchison 01



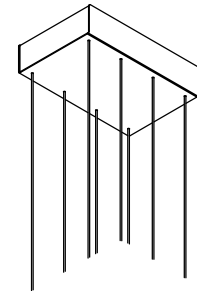
Hutchison 02



Hutchison 03



Hutchison 04

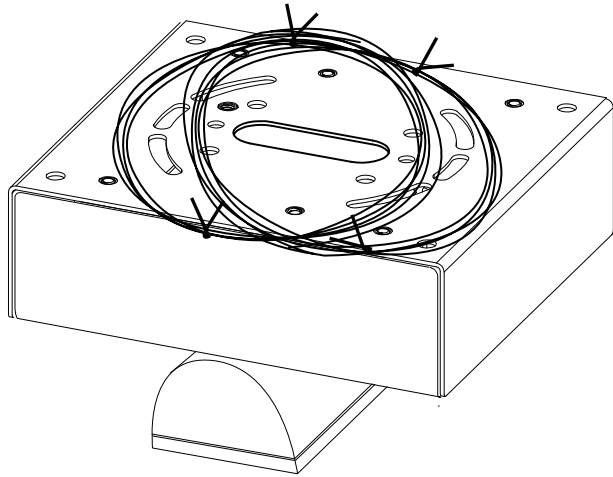


OPEN CANOPY

STEPS 1-3

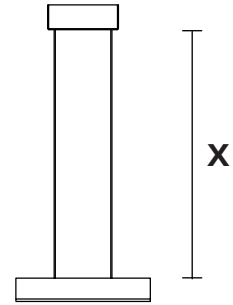
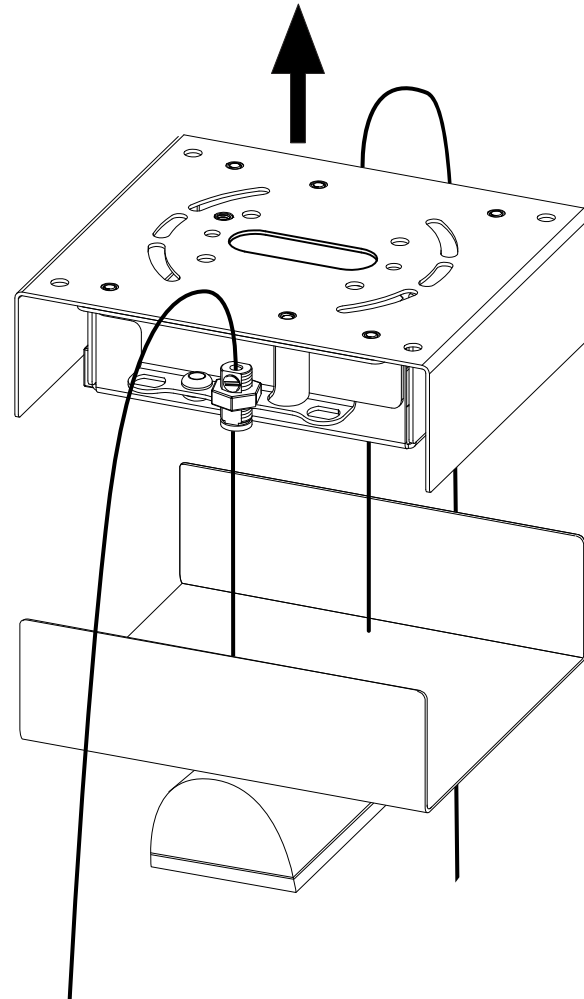
1

Untie the wires, make sure that they are not twisted.



2

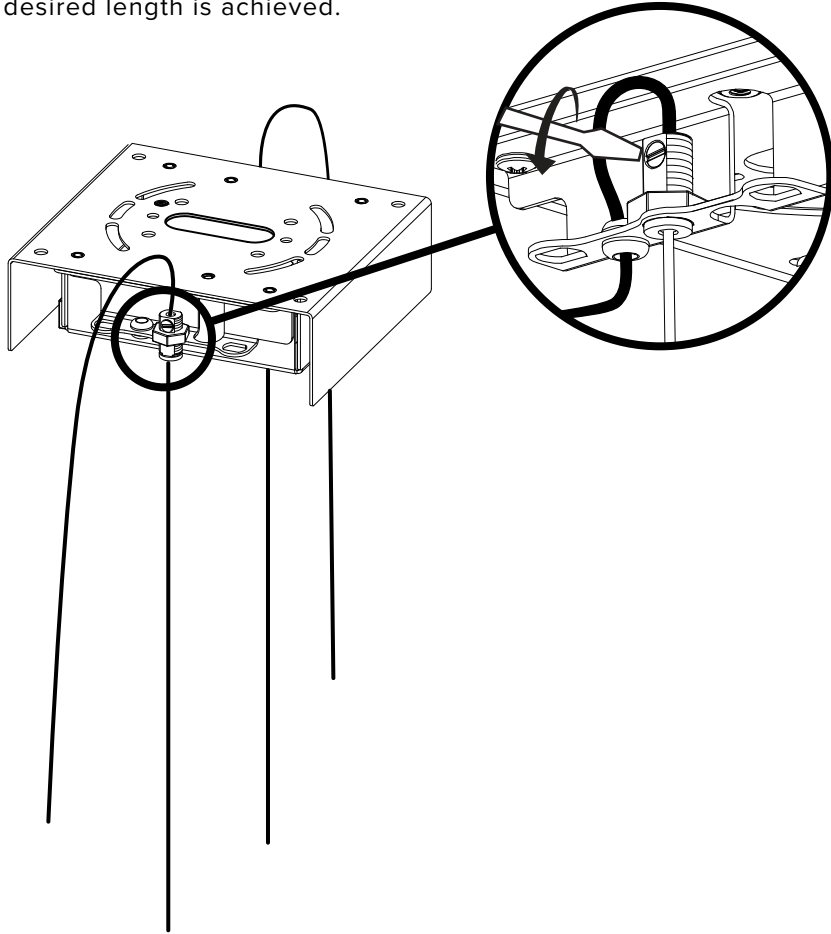
Gently raise the top part of canopy until you reach desired height (X).



3

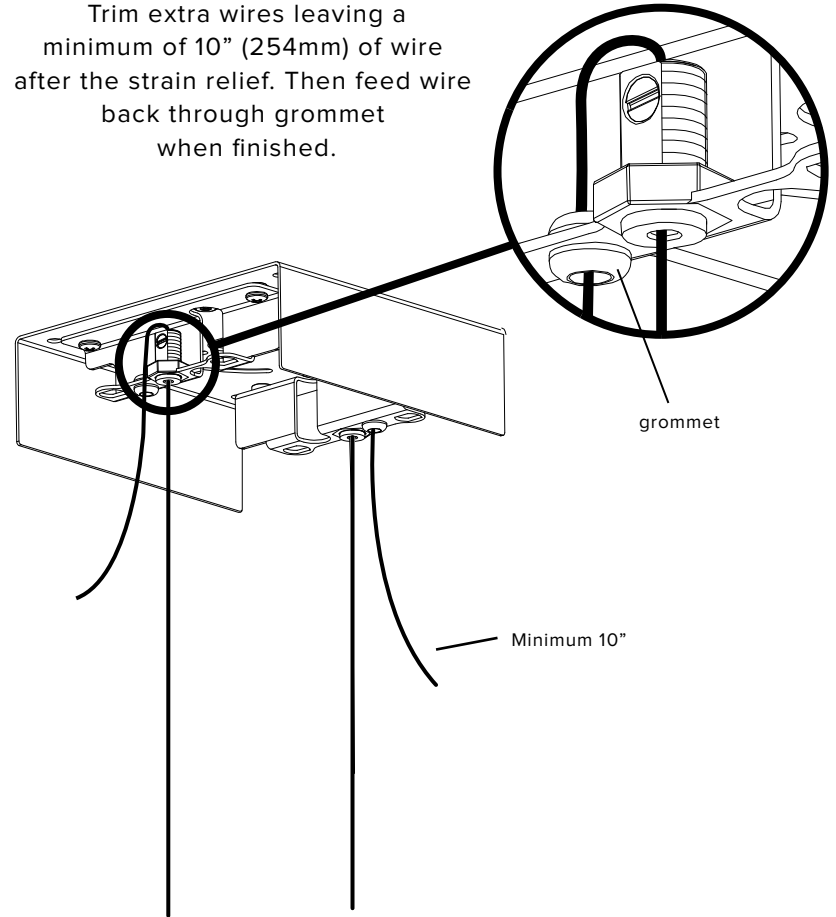
Tighten nylon set screw
in the strain relief when
desired length is achieved.

Micro adjustments
can be made later.



4

Trim extra wires leaving a
minimum of 10" (254mm) of wire
after the strain relief. Then feed wire
back through grommet
when finished.

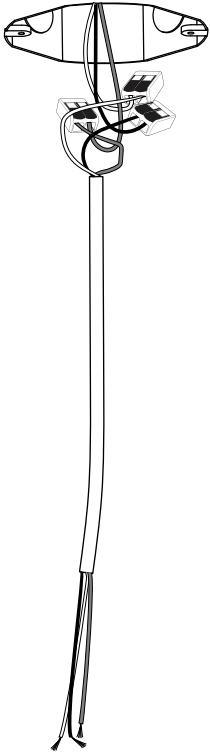


INSTALL EXTENSION HARNESS

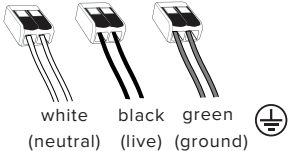
STEPS 5-6

5

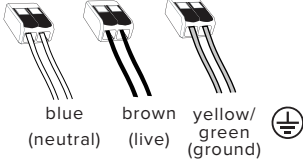
Connect the extension harness to the electrical box wires



for 120 V wiring

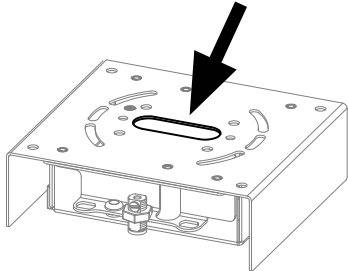
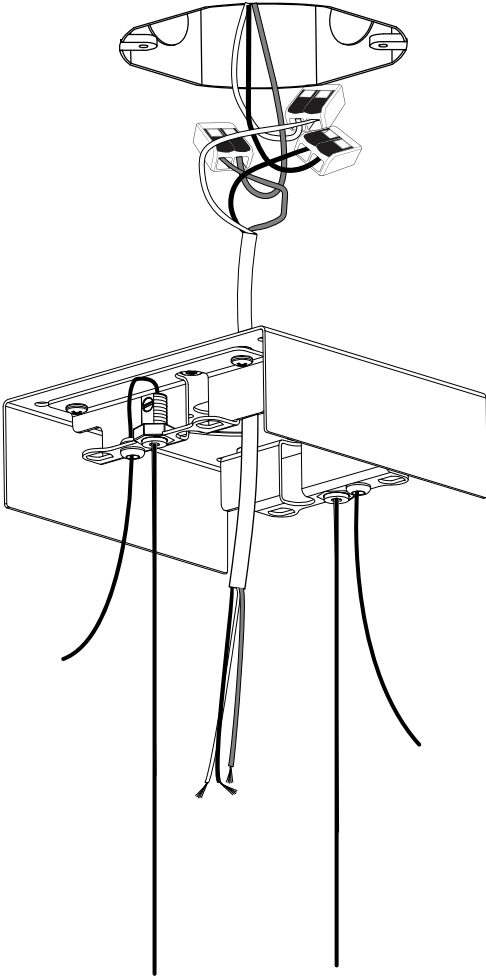


for 220-240 V wiring



6

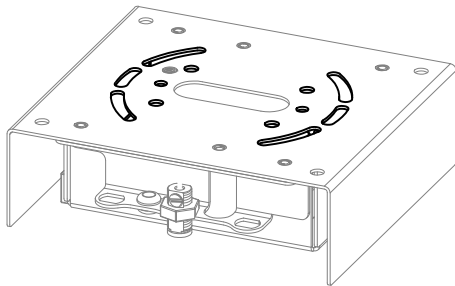
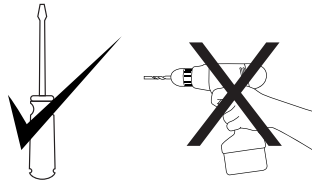
Pass the extension harness through center hole of canopy.



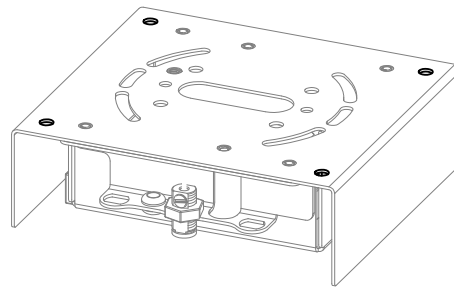
MOUNT CANOPY BRACKET

7

The luminaire can either be mounted to the junction box or directly to the ceiling using appropriate holes.

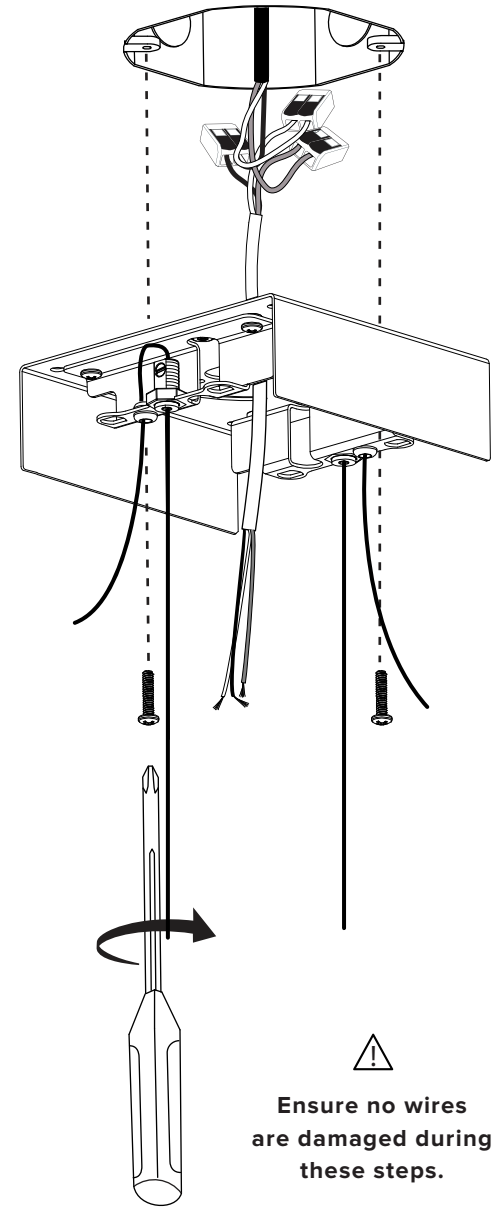


To junction box



OR

directly to the ceiling
*use appropriate anchors



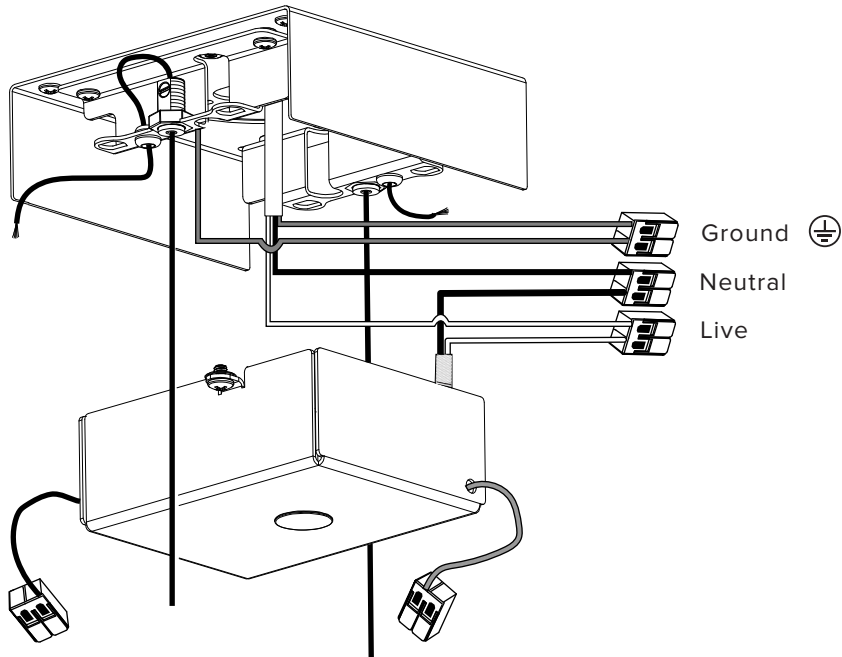
Ensure no wires are damaged during these steps.


MAKE LINE/MAIN VOLTAGE CONNECTION TO ELECTRICAL BOX (AC)

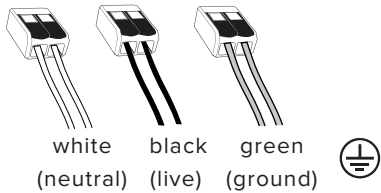
STEPS 8-9

8

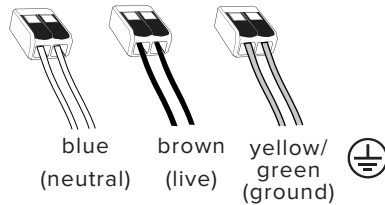
Connect the extension harness to AC input wires of the driver and connect ground from bracket to the harness.



for 120 V wiring  6mm

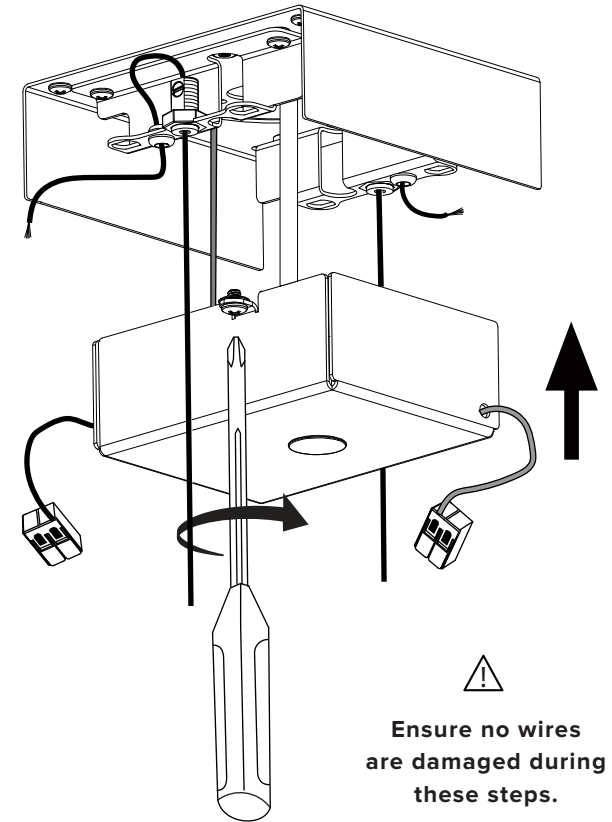


for 220-240 V wiring



9

Screw in place the driver housing.



Ensure no wires are damaged during these steps.

If applicable, use grey and purple wires for 0-10V dimming circuit before closing the driver housing.

CONNECT DC WIRES ON BOTH SIDE OF HOUSING AS BEFORE

10

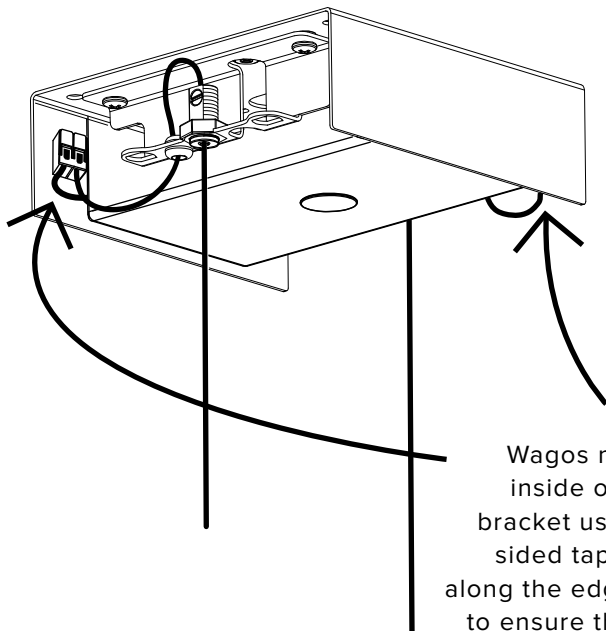
One side is marked positive, the other is marked negative.

**FOR WHITE
WIRE LUMINAIRE**

Red to grey (+)
Black to black (-)

**FOR BLACK
WIRE LUMINAIRE**

Red to red (+)
Black to black (-)

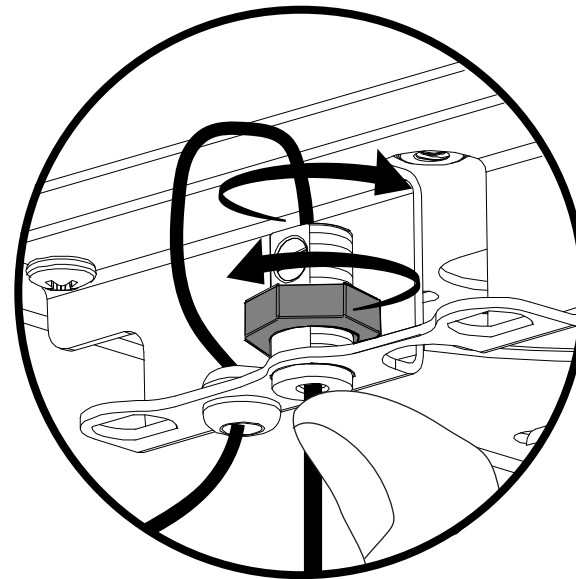


Wagos may be taped inside of the canopy bracket using the double sided tape. Keep wires along the edge of the housing to ensure that they are out of the way.

MAKE MICRO ADJUSTMENTS

11

To level the luminaire, push up on the strain relief, then turn the brass nut to make any necessary adjustments.

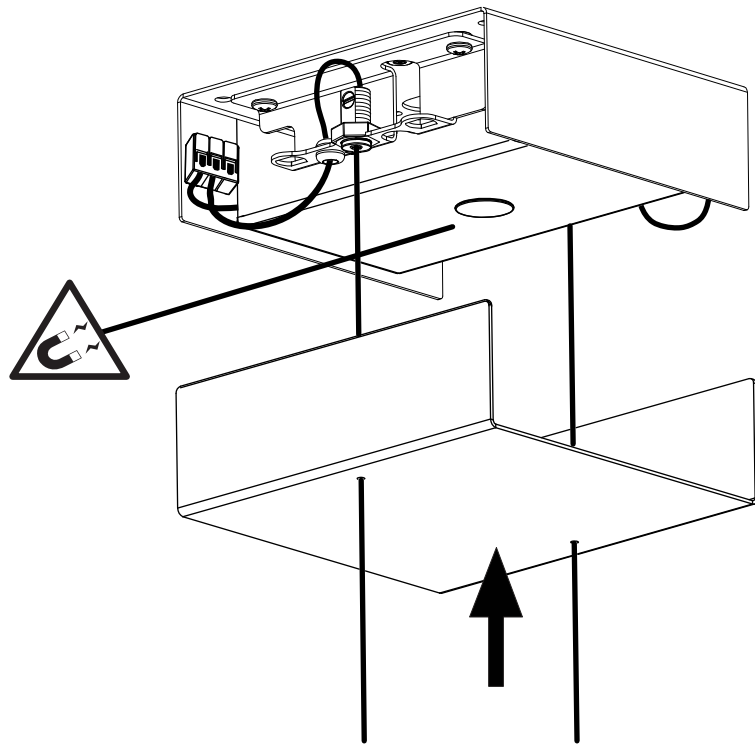


The brass nut must never exceed the top of the strain relief.

On the Hut 03 and Hut 04 versions adjust the four corner wires before the central wires

12

Replace canopy cover.
It is held in place by a magnet.



Ensure no wires
are damaged during
this steps.