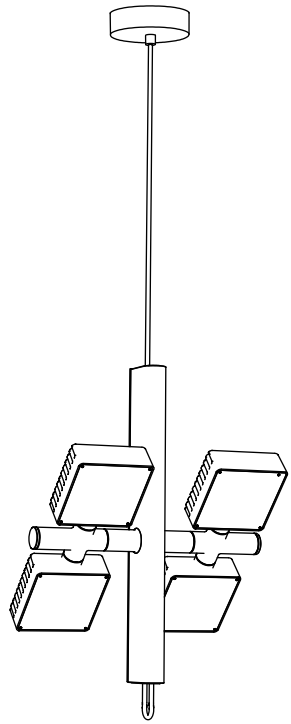



DORVAL




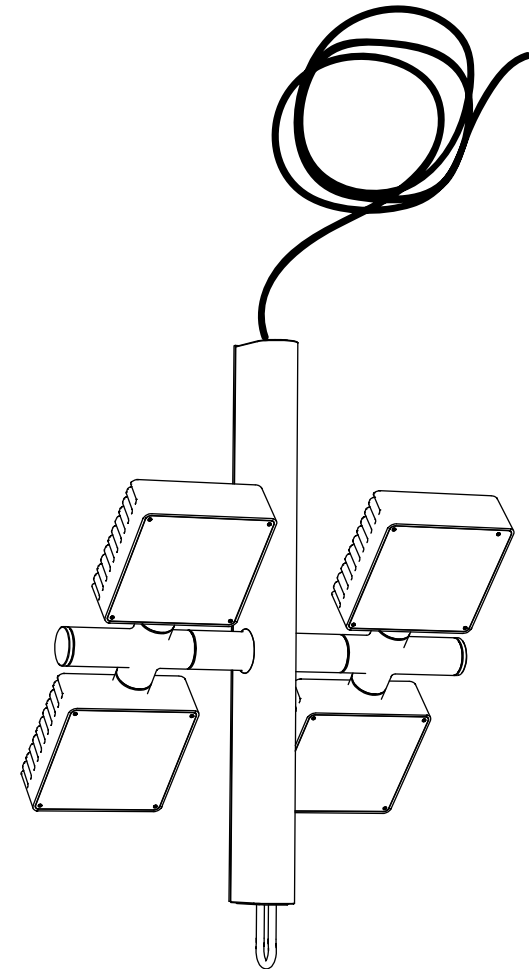
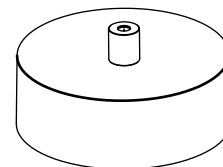
Handle luminaire
with care.

Never support by
the bottom loop.



- Please read entire manual before beginning to install
- To be installed by an electrician to an electrical box
- LED may only be changed by Lambert & Fils or other authorized personnel
- Use appropriate screws where necessary
- Use appropriate anchors and ensure your electrical box can hold the weight of the luminaire.
- Wear enclosed gloves when handling lamp
- Handle materials with care. Please consult lamp maintenance sheet on our web site

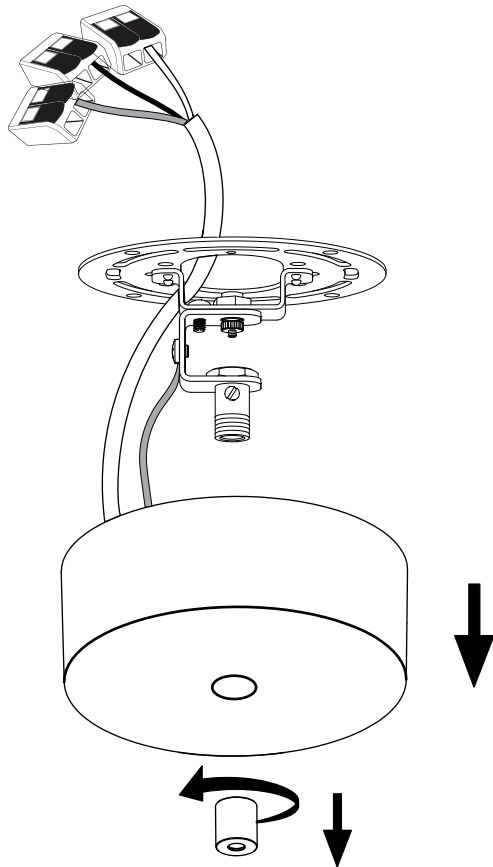




OPEN CANOPY

1

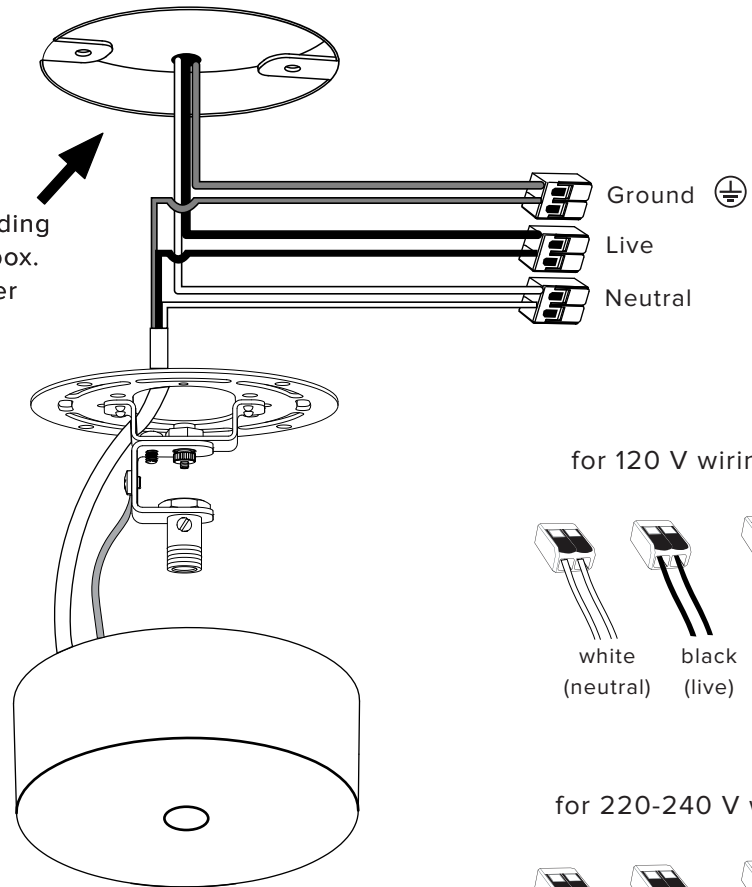
Unscrew cap to access the universal bracket.



MAKE LINE/MAIN VOLTAGE CONNECTION TO ELECTRICAL BOX (AC)

2

Connect corresponding wires in electrical box.
(AC input of driver to supply).



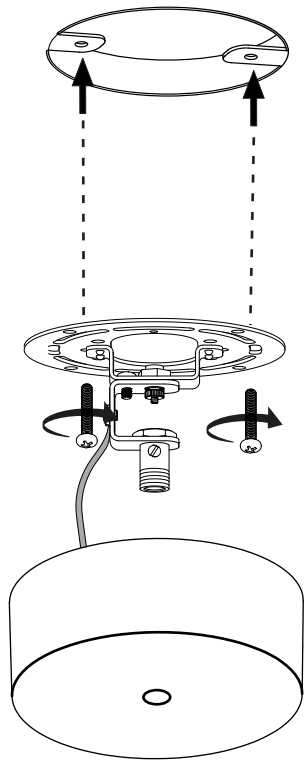
* Connections can also be made in the canopy if necessary

MOUNT UNIVERSAL BRACKET

3

Secure universal bracket to the electrical box

*The wires were removed from this view for clarity purposes.



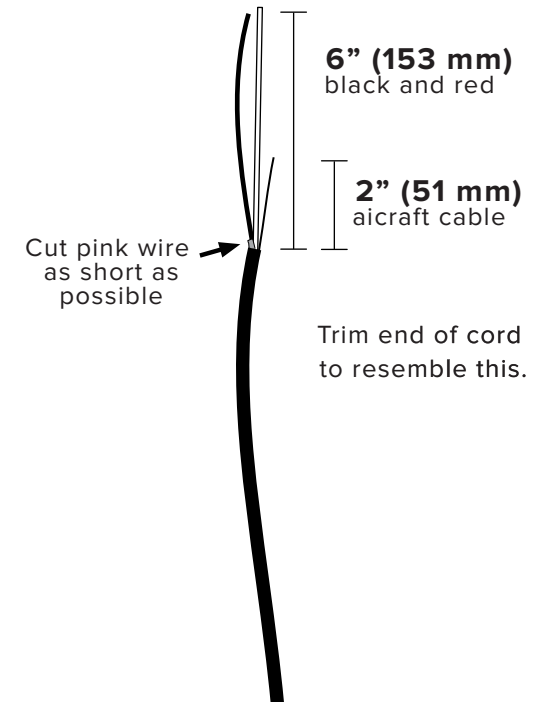
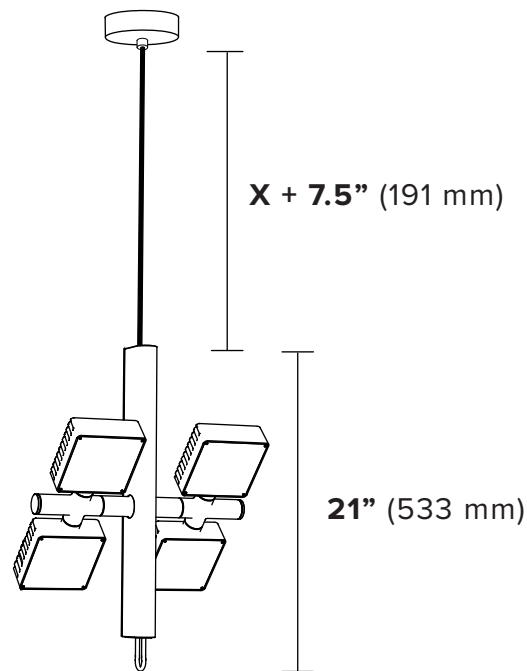
Ensure your electrical box can hold the weight of the luminaire (15 lbs) and that no wires are pinched during these steps.

ADJUST LUMINAIRE CORD LENGTH

STEPS 4-5

4

Carefully measure and cut cord to desired length.

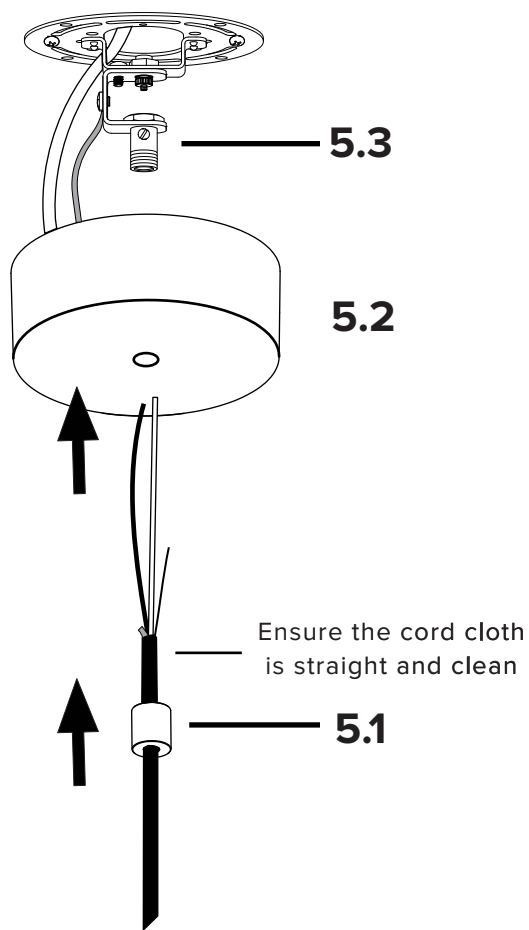


FEED AIRCRAFT CABLE

STEPS 6-8

5

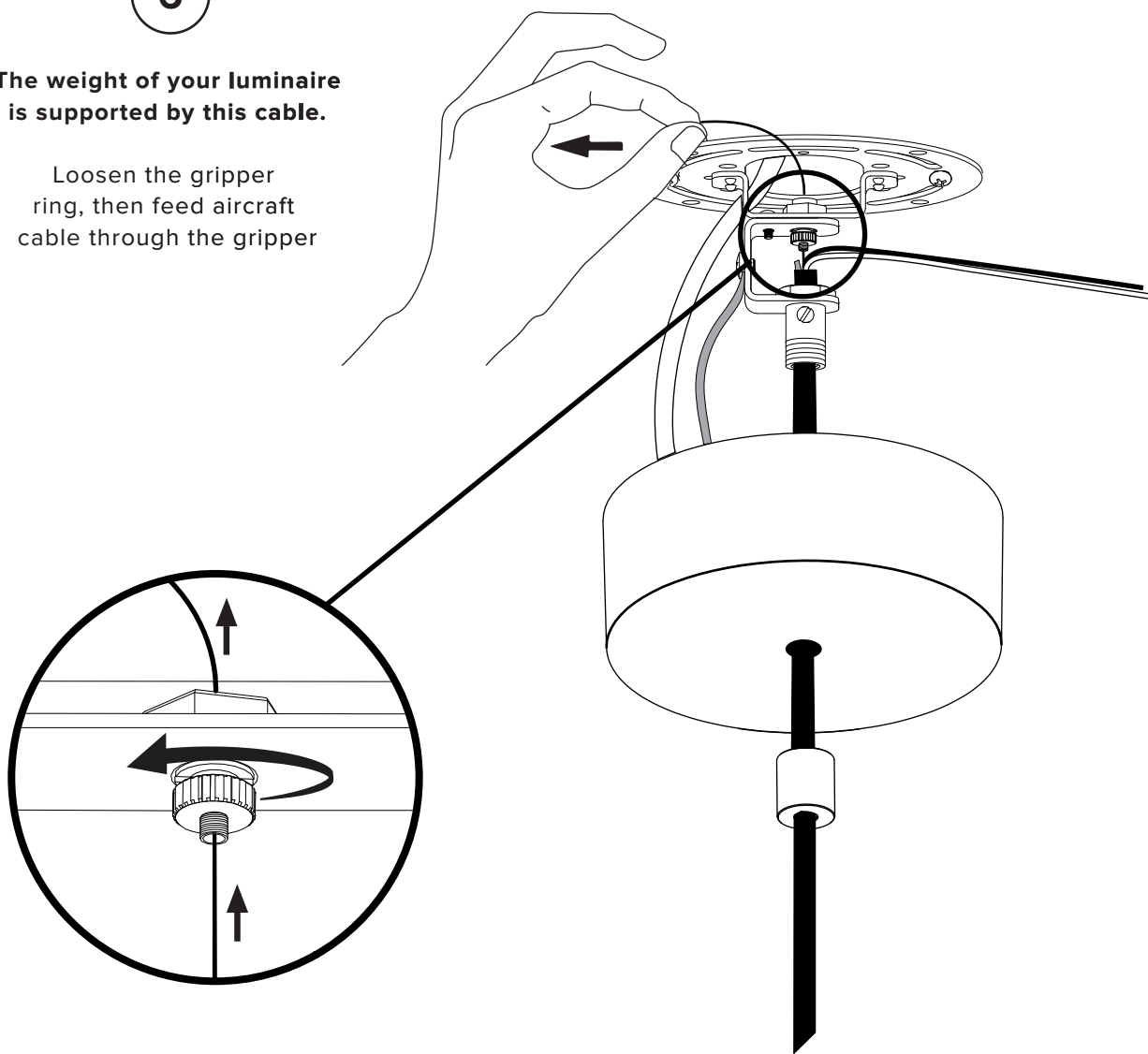
Feed cord through canopy cap (5,1), canopy (5,2), then through strain relief (5,3).



6

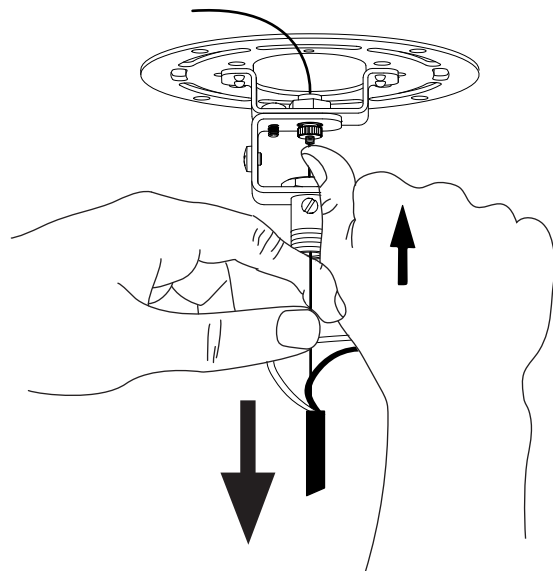
The weight of your luminaire is supported by this cable.

Loosen the gripper ring, then feed aircraft cable through the gripper



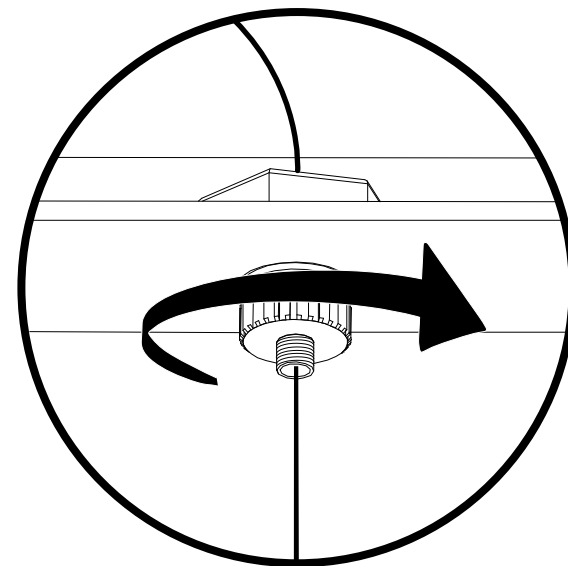
7

Adjust the aircraft cable.

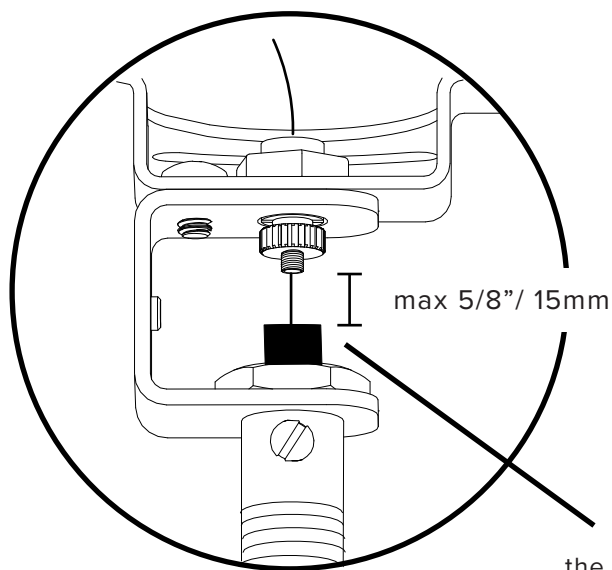


8

Tighten the gripper ring when done



If you need to adjust the height, securely hold the luminaire and push upward on the gripper ring while pulling the aircraft cable.



The sleeved section of the cord should be as close to cable gripper as possible.

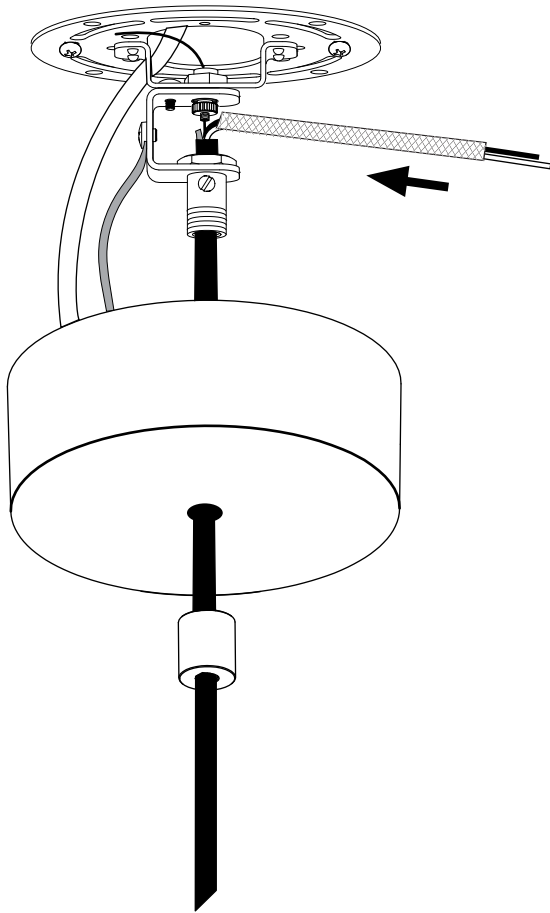
*The wires were removed from this view for clarity purposes.

SECURE WIRES

STEPS 9-10

9

Slide both anti-abrasive sleeves
onto the black and red wires

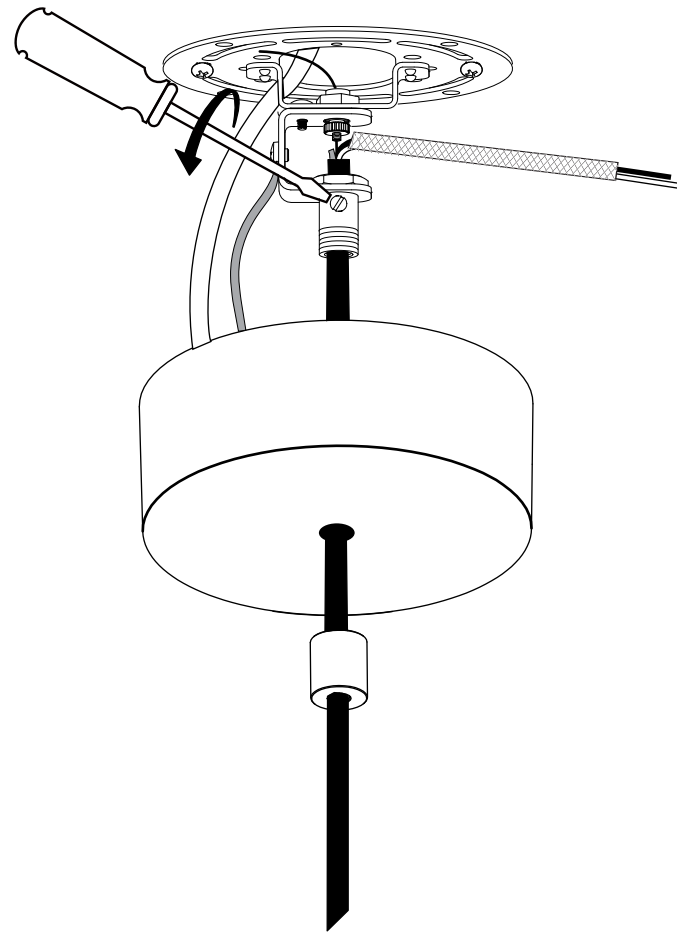


10

Secure the cord in place with the nylon set screw.

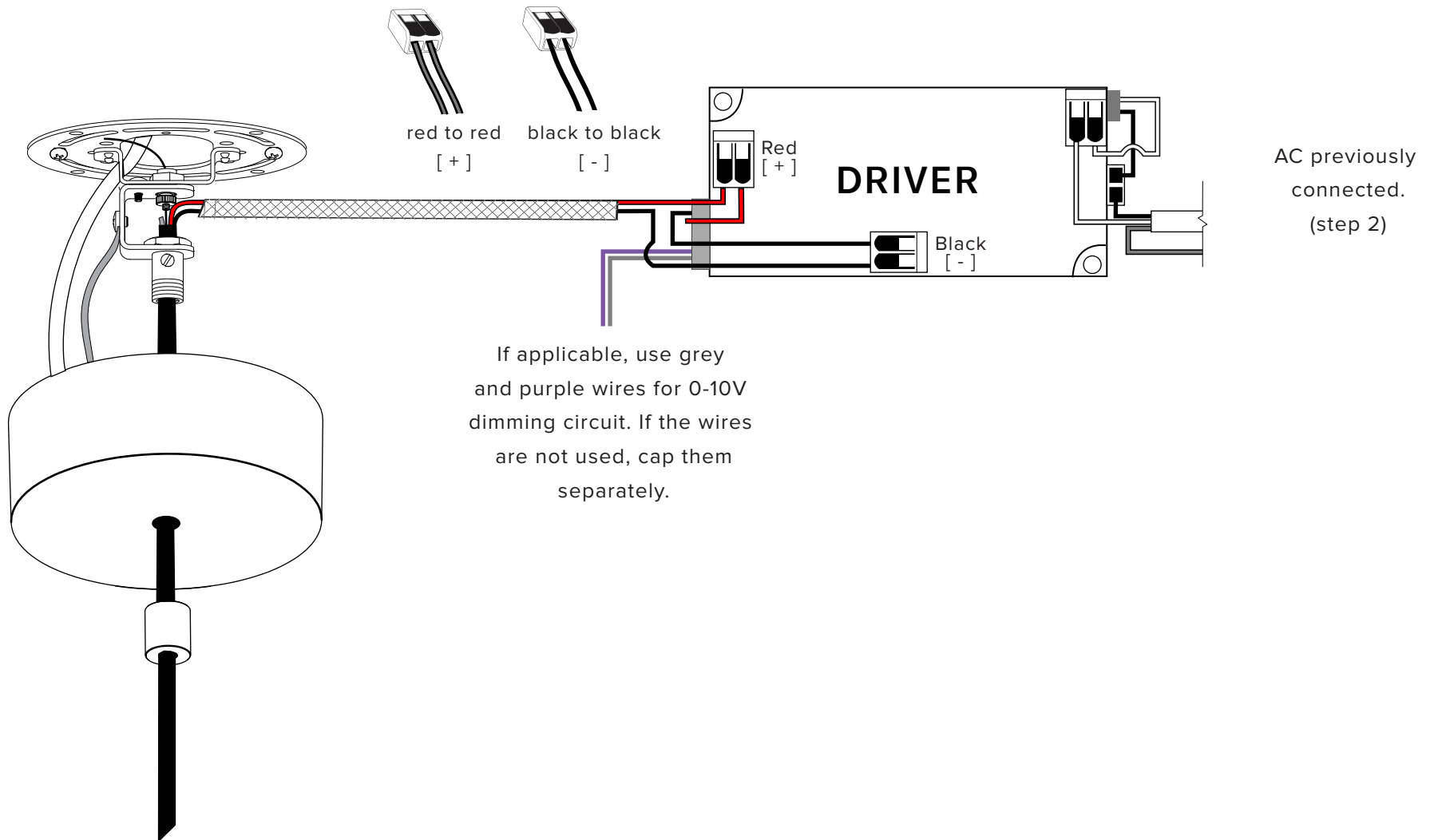


**Caution, the set screw should be on the sleeved
section of the cord.**



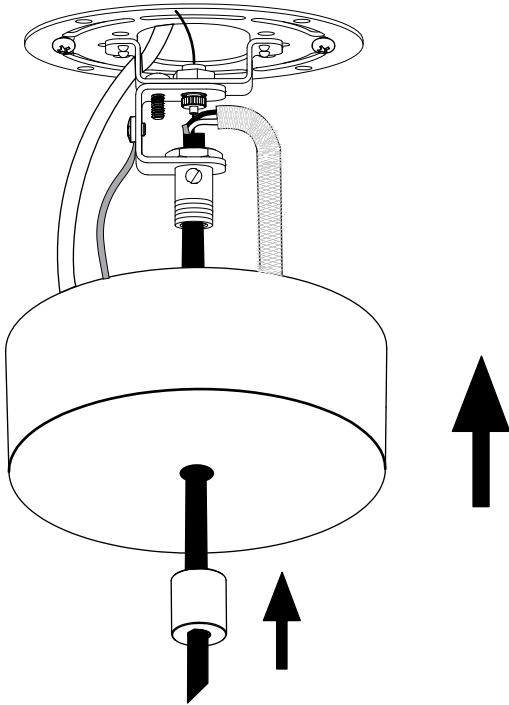
CONNECT LUMINAIRE'S RED AND BLACK WIRES TO DRIVER OUTPUT WIRES (DC)

11



12

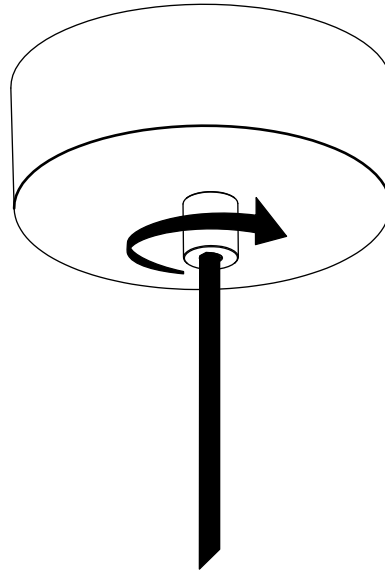
Replace canopy



Ensure no wires are clipped or pinched during these steps.

13

Secure canopy cap



14

To place in desired position, hold cord close to luminaire while lifting and turning the body of the luminaire.

