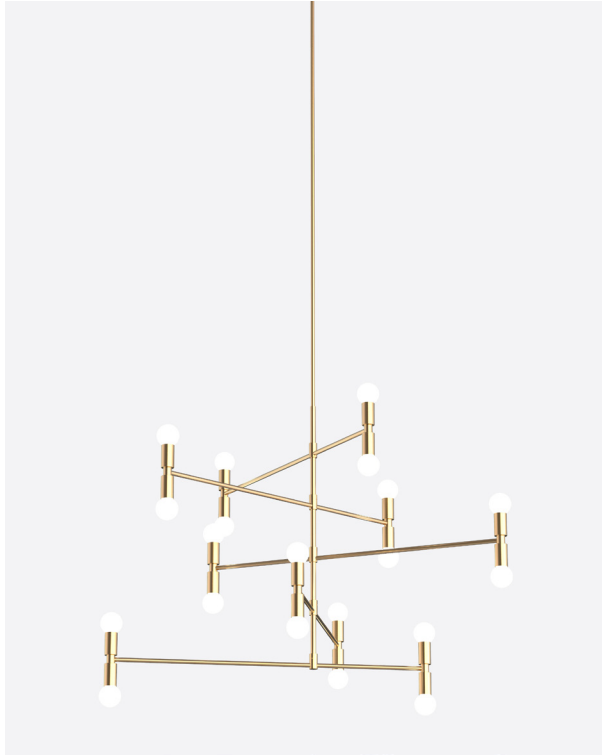
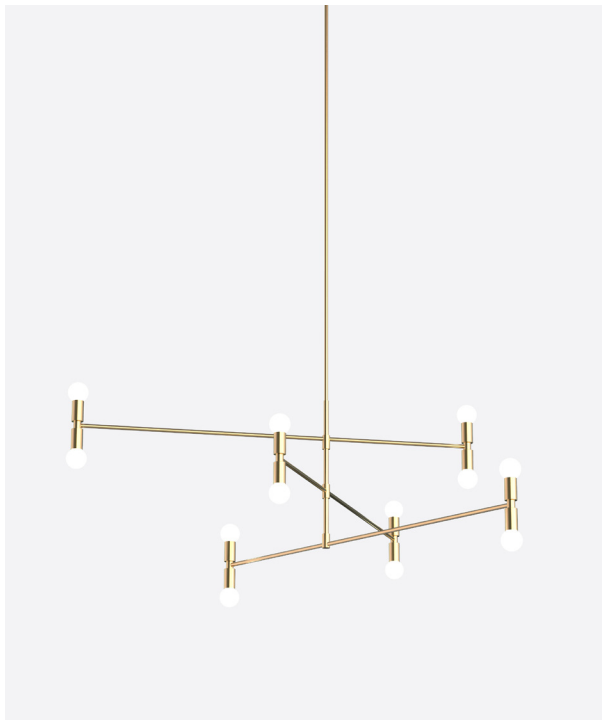


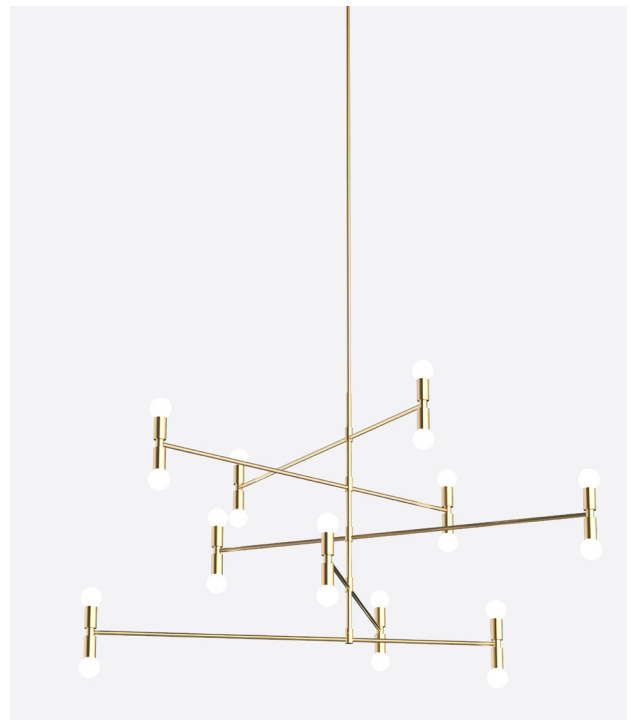
ATOMIUM 14




A



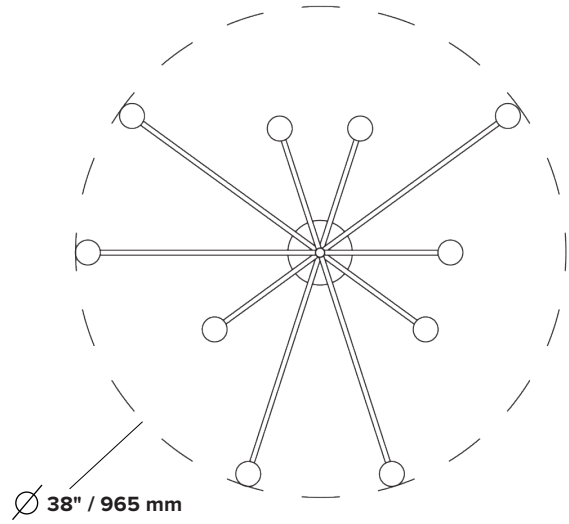
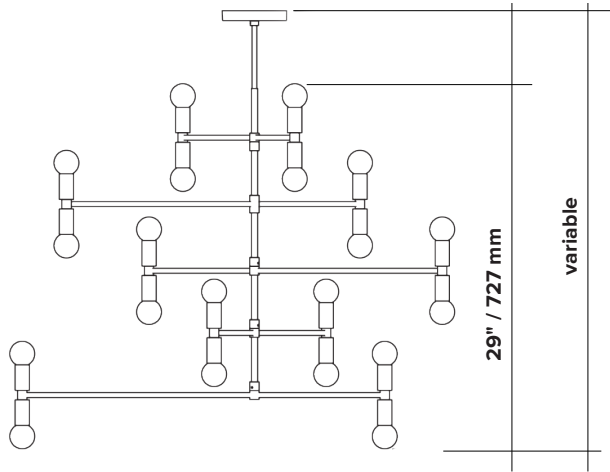
B



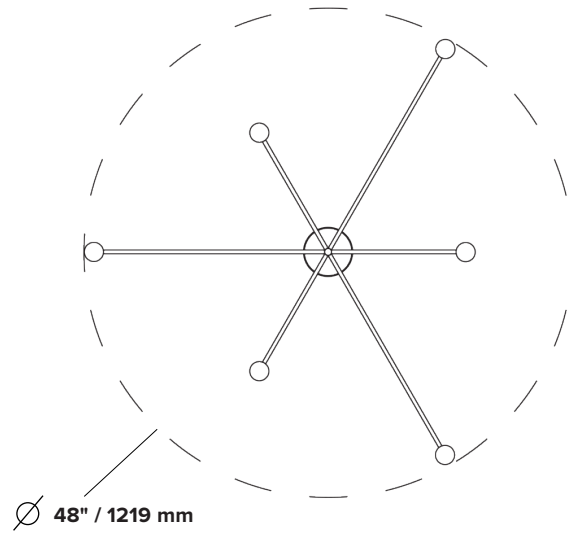
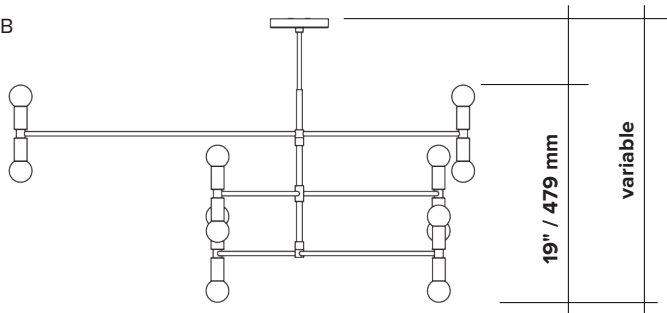
C

- type** suspension
- materials** body : brass  
sphere : milk glass (G50)  
hardware : brass
- total height** height to be specified upon order
- weight (min.)** A min. 6 lb / 2.7 kg  
B min. 6 lb / 2.7 kg  
C min. 7 lb / 3.2 kg
- light bulb** A LED (included), 20x 3.5W  
B LED (included), 12x 3.5W  
C LED (included), 20x 3.5W
- sockets** G9
- voltage** 120V / 240V
- dimmer** refer to our recommended list of dimmer models
- certifications** 
- notes**
  - must be installed by an electrician;
  - additional charges for modifications;
  - lead time between 10-12 weeks;
  - dimensions are approximate and may vary slightly.

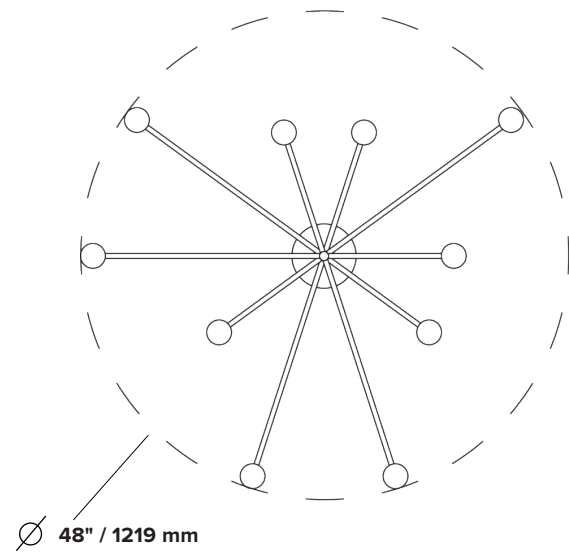
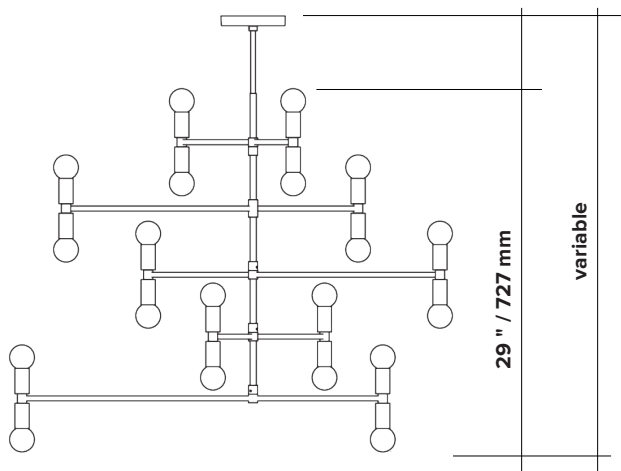
A



B

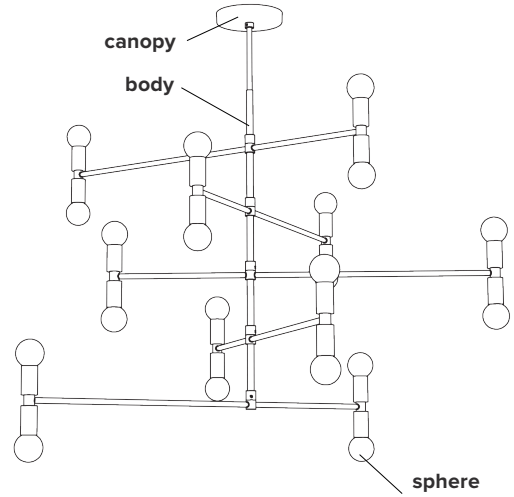


C



## ORDER GUIDE: SKU

COLLECTION		MODEL	FINISH		SIZE
<b>DOT</b>	Dot	<b>14</b>	<b>BR</b>	brass	<b>A</b> 38" 5 Level
			<b>GR</b>	graphite	<b>B</b> 48" 3 Level
					<b>C</b> 48" 5 Level
<b>DOT</b>		<b>14</b>	<b>BR</b>		<b>A = DOT14BRA</b> example



### FINISH

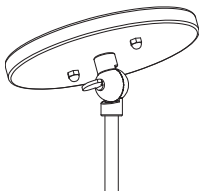


brass



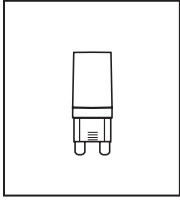
graphite

### CANOPY swivel option for slanted ceiling



## LIGHT BULB & DIMMER SPECIFICATIONS

### G9 SOCKETS



Frosted  
3.5W  
100V-120V / 240V  
350 Lumens  
2700 K  
25 000 H  
CRI ≥80  
2 years warranty



### SPHERES



G100  $\varnothing \pm 4"$  / 100 mm



G80  $\varnothing \pm 3"$  / 80 mm



G60  $\varnothing \pm 2"$  / 60 mm



G50  $\varnothing \pm 2"$  / 50 mm



tube  $\varnothing 1"$  / 27 mm  
length  $\pm 2"$  / 60 mm

### DIMMER LIST COMPATIBILITY FOR G9 LED BULBS – 120V

The dimming technology offering the best results is ELV (electronic low voltage) dimmers with reverse phase or trailing edge control.

<u>DIMMER BRAND</u>	<u>MODEL NUMBER</u>	<u>MAX LEVEL</u>	<u>MIN LEVEL</u>	<u>FLICKERING</u>	<u>OVERALL QUOTE</u>
LUTRON - MAESTRO	MAELV-600	100%	0%	0%-10%	good
LUTRON - SKYLARK	SELV-300P	100%	0%	no	very good
LUTRON - SKYLARK	SELV-303P	100%	0%	no	very good
LUTRON - SKYLARK	CTELV-303P	100%	0%	no	very good
LUTRON - DIVA	DVELV-300P	100%	0%	no	very good
LEGRAND - ADORNE	TRUE UNIVERSAL	100%	30%	no	good

### DIMMER LIST COMPATIBILITY FOR G9 LED BULBS – 230V

<u>DIMMER BRAND</u>	<u>MODEL NUMBER</u>	<u>MAX LEVEL</u>	<u>MIN LEVEL</u>	<u>FLICKERING</u>	<u>OVERALL QUOTE</u>
VARILIGHT	V-PRO	100%	2%	no	very good
LEGRAND - NILOÉ	3 996 35	87%	15%	no	good
NIKO	310-0280X	94%	5%	no	very good
NIKO	310-0190X	100%	1%	no	very good

\*Other dimmers can yield good results and we recommend conducting your own test before final installation.