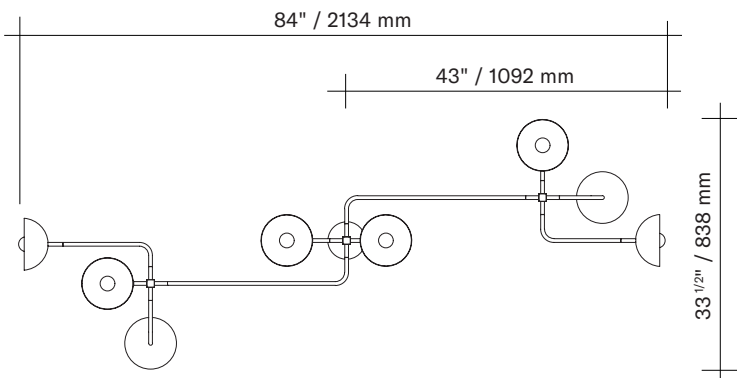
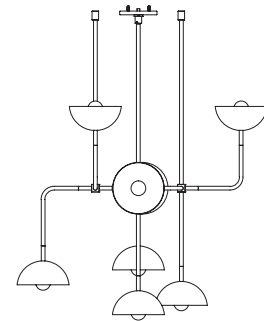
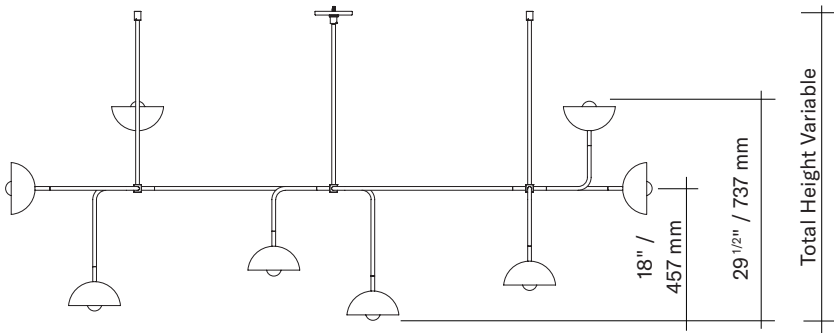


Beaubien 09

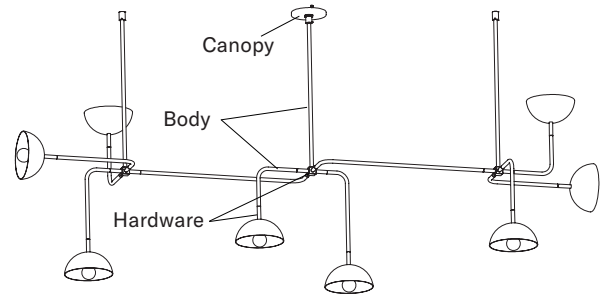


Type	Suspension	
Materials	Body:	powder coated aluminium or brass
	Hardware:	brass
	Sphere:	milk glass (G50-G80)
	Canopy:	powder coated steel or brass
Total Height	Height to be specified upon order	
Weight	12lb / 5.4kg	
Light Bulb	LED (included), 8 x 3.5W	
Sockets	G9	
Voltage	120V / 240V	
Dimmer	Refer to our recommended list of dimmer models	
Certifications		
Notes	<ul style="list-style-type: none"> • Must be installed by an electrician • Additional charges for modifications • Lead time between 10-12 weeks • Dimensions are approximate and may vary slightly 	



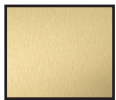
Order Guide: SKU

Collection		Model	Finish (body + hardware)
BEA	Beaubien	09	BLBR Black body Brass hardware
			BLGR Black body Graphite hardware
BEA		09	BLBR



= BEA09BLBR
example

Finish



Brass



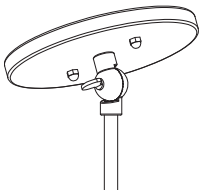
Black



Graphite

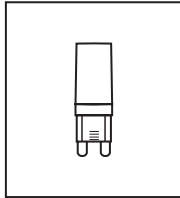
CANOPY

Swivel option for slanted ceiling

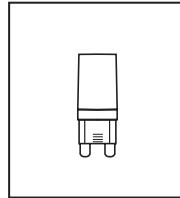


LIGHT BULB & DIMMER SPECIFICATIONS

G9 SOCKETS



Frosted
4.5W
100V-120V / 240V
450 Lumens
2700 K
25 000 H
CRI ≥80
2 years warranty



Frosted
3.5W
100V-120V / 240V
350 Lumens
2700 K
25 000 H
CRI ≥80
2 years warranty



SPHERES



G80 $\varnothing \pm 3" / 80 \text{ mm}$



G50 $\varnothing \pm 2" / 50 \text{ mm}$

DIMMER LIST COMPATIBILITY FOR G9 LED BULBS – 120V

The dimming technology offering the best results is ELV (electronic low voltage) dimmers with reverse phase or trailing edge control.

<u>DIMMER BRAND</u>	<u>MODEL NUMBER</u>	<u>MAX LEVEL</u>	<u>MIN LEVEL</u>	<u>FLICKERING</u>	<u>OVERALL QUOTE</u>
LUTRON - MAESTRO	MAELV-600	100%	0%	0%-10%	good
LUTRON - SKYLARK	SELV-300P	100%	0%	no	very good
LUTRON - SKYLARK	SELV-303P	100%	0%	no	very good
LUTRON - SKYLARK	CTELV-303P	100%	0%	no	very good
LUTRON - DIVA	DVELV-300P	100%	0%	no	very good
LEGRAND - ADORNE	TRUE UNIVERSAL	100%	30%	no	good

DIMMER LIST COMPATIBILITY FOR G9 LED BULBS – 230V

<u>DIMMER BRAND</u>	<u>MODEL NUMBER</u>	<u>MAX LEVEL</u>	<u>MIN LEVEL</u>	<u>FLICKERING</u>	<u>OVERALL QUOTE</u>
VARILIGHT	V-PRO	100%	2%	no	very good
LEGRAND - NILOÉ	3 996 35	87%	15%	no	good
NIKO	310-0280X	94%	5%	no	very good
NIKO	310-0190X	100%	1%	no	very good

*Other dimmers can yield good results and we recommend conducting your own test before final installation.