
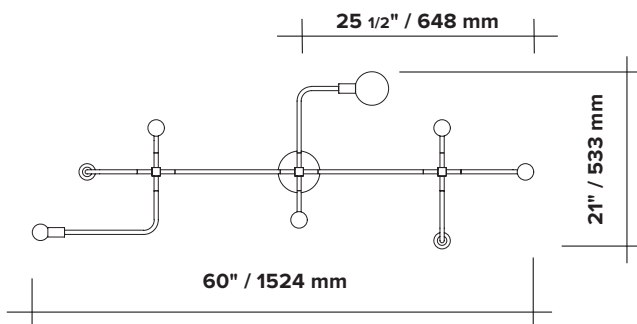
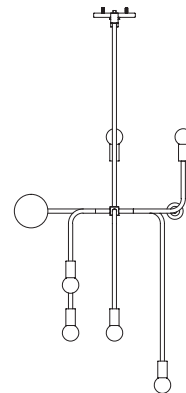
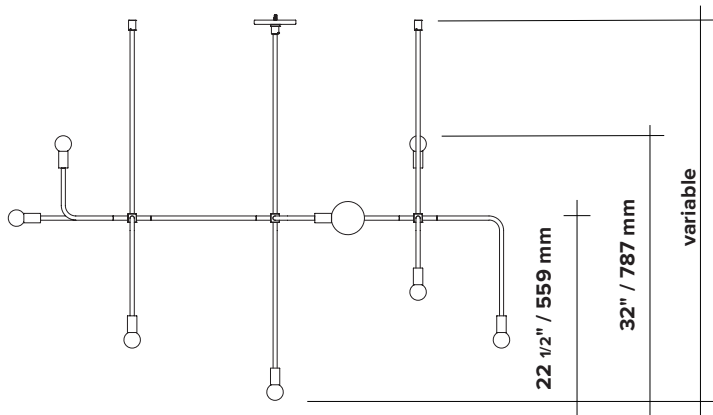


BEAUBIEN 05



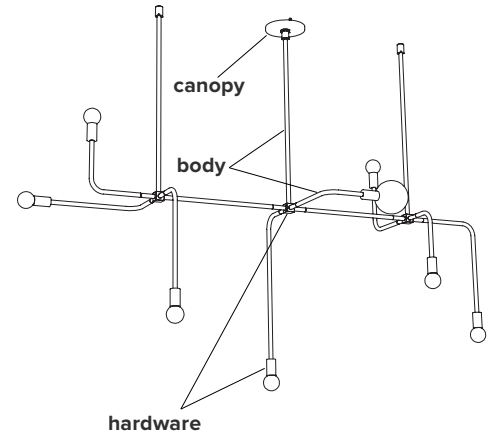
- type** suspension
- materials** body : powder coated aluminium or brass
hardware : brass
sphere : milk glass (G50-G80)
canopy: powder coated steel or brass
- total height** height to be specified upon order
- weight** 6 lb / 2.7kg
- light bulb** LED (included), 1 x 4.5W + 7 x 3.5W
- sockets** G9
- voltage** 120V / 240V
- dimmer** refer to our recommended list of dimmer models
- certifications** 
- notes**
- must be installed by an electrician;
 - additional charges for modifications;
 - lead time between 12-15 weeks;
 - dimensions are approximate and may vary slightly.



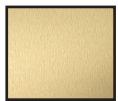
ORDER GUIDE: SKU

<u>COLLECTION</u>	<u>MODEL</u>	<u>FINISH (body + hardware)</u>
BEA beaubien	05	BLBR black body brass hardware BLGR black body graphite hardware BRBR brass body brass hardware
BEA	05	BLBR

= **BEA05BLBR**
example



FINISH



brass

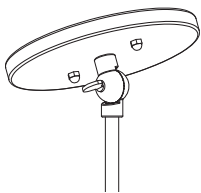


black



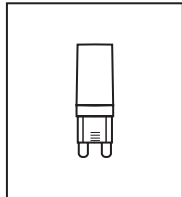
graphite

CANOPY swivel option for slanted ceiling

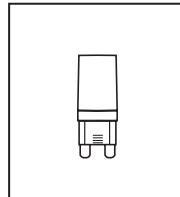


LIGHT BULB & DIMMER SPECIFICATIONS

G9 SOCKETS



Frosted
4.5W
100V-120V / 240V
450 Lumens
2700 K
25 000 H
CRI ≥80
2 years warranty



Frosted
3.5W
100V-120V / 240V
350 Lumens
2700 K
25 000 H
CRI ≥80
2 years warranty



SPHERES



G100 Ø ± 4" / 100 mm



G80 Ø ± 3" / 80 mm



G60 Ø ± 2" / 60 mm



G50 Ø ± 2" / 50 mm



tube Ø 1" / 27 mm
length ± 2" / 60 mm

DIMMER LIST COMPATIBILITY FOR G9 LED BULBS – 120V

The dimming technology offering the best results is ELV (electronic low voltage) dimmers with reverse phase or trailing edge control.

<u>DIMMER BRAND</u>	<u>MODEL NUMBER</u>	<u>MAX LEVEL</u>	<u>MIN LEVEL</u>	<u>FLICKERING</u>	<u>OVERALL QUOTE</u>
LUTRON - MAESTRO	MAELV-600	100%	0%	0%-10%	good
LUTRON - SKYLARK	SELV-300P	100%	0%	no	very good
LUTRON - SKYLARK	SELV-303P	100%	0%	no	very good
LUTRON - SKYLARK	CTELV-303P	100%	0%	no	very good
LUTRON - DIVA	DVELV-300P	100%	0%	no	very good
LEGRAND - ADORNE	TRUE UNIVERSAL	100%	30%	no	good

DIMMER LIST COMPATIBILITY FOR G9 LED BULBS – 230V

<u>DIMMER BRAND</u>	<u>MODEL NUMBER</u>	<u>MAX LEVEL</u>	<u>MIN LEVEL</u>	<u>FLICKERING</u>	<u>OVERALL QUOTE</u>
VARILIGHT	V-PRO	100%	2%	no	very good
LEGRAND - NILOÉ	3 996 35	87%	15%	no	good
NIKO	310-0280X	94%	5%	no	very good
NIKO	310-0190X	100%	1%	no	very good

*Other dimmers can yield good results and we recommend conducting your own test before final installation.