





DORVAL ATELIER 01



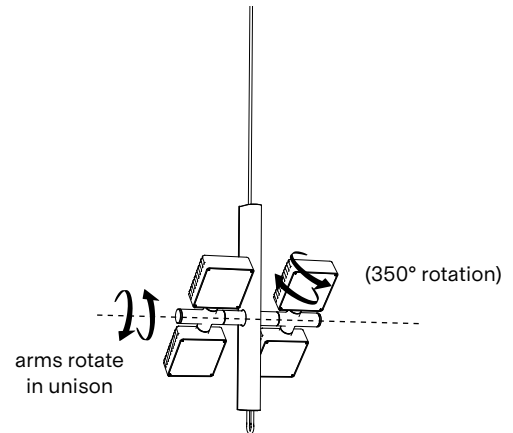
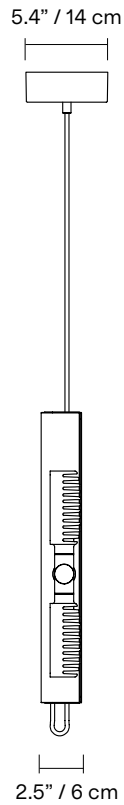
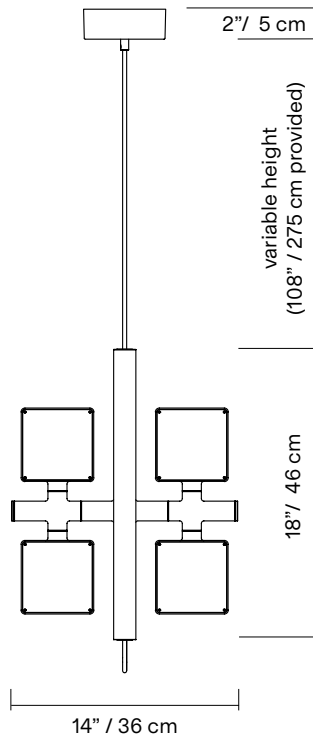
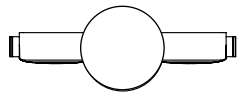
The Dorval Atelier looks like it was dipped in a pool of metallic liquid, making it an utterly refined, almost magical version of the impressively technical original model. Entirely made of brass, the Dorval Atelier stuns by stripping down and glorifying the process of making such a piece. Brass is a lively material which morphs with time, and ages elegantly. This model aims to be an ode to our most-used material, juxtaposed here on one of our most contemporary models.

Dorval Collection is a collaboration with SCMP Design Office.

TYPE	Pendant
CONSTRUCTION	Brass body, head, canopy and cord Clear prismatic PMMA lens
SPECIFICATIONS	Source: LED array, integrated Power consumption: 36W Color temperature: 3000K 2700K dim to warm 3000k to 2200k dim to warm 2700k to 2200k Lumen output: 3000K - 3106 lm 2700K - 2888 lm Colour rendering index: ≥90 CRI Colour consistency: 3 SDCM Expected lifetime: ≥50 000h
CONTROL	120/277V on/off, 0-10V or phase dimming (120V only) 220-240V on/off or trailing edge dimming only Refer to our recommended list of dimmer models page 5
CORD LENGTH	108" / 275cm
WEIGHT	35lb / 16kg *mounting surface must be able to support 200lbs / 91kgs
CERTIFICATIONS	    IP20
WARRANTY	2 years

NOTES

- Luminaire total minimum height (ceiling to lowest point of luminaire) - 26" / 66 cm
- Total maximum height (ceiling to lowest point of luminaire) - variable, please specify
- Luminaire height is adjustable on site
- Not available for slanted ceiling



FINISH

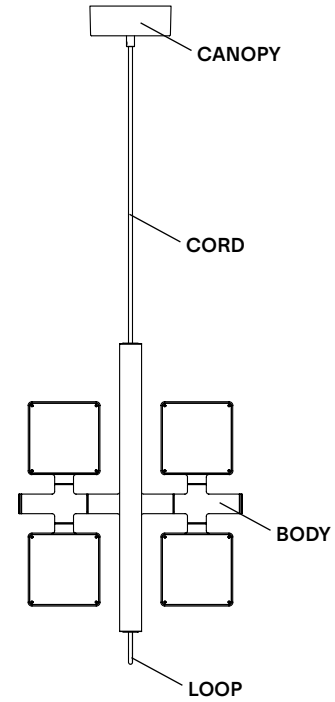


BR
Brass

NOTES

- Must be installed by an electrician
- LED may only be changed by Lambert & Fils or other authorized personnel
- Not to be suspended by a hook
- Not protected against liquids (refer to IP20)
- Additional charges for modifications or for special orders
- Please refer to maintenance sheet on our website for cleaning instructions

LAMP ANATOMY



		Example	Fill with your selection
COLLECTION	DOR Dorval	DOR	DOR
MODEL	51	51	51
FINISH	BR Brass	BR	BR
COLOUR TEMPERATURE (CCT)	WL Warm light (2700K) NL Neutral light (2700K) D27 Warm light (2700K) D30 Dim to warm (3000K to 2200K) CCT Other CCT available upon request*	WL	
DIMMING	ZT 0-10V dimming (120V only) PH Phase dimming	ZT	
FULL SKU		DOR51BRWLZT	
		NOTES	

*Specific CCT selection only available in 100K increments, from 2200K to 4000K inclusively. Not available with Dim-to-Warm feature.

TESTED DIMMER COMPATIBILITY LIST - 120V*

Compatible with 0-10V, Phase dimming (leading edge or trailing edge**)

DIMMER BRAND	MODEL	MIN LEVEL	MAX LEVEL	DIMMER PROTOCOL
Lutron	TGCL-153P	14%	98%	Phase dimming
Levitron	VPE06	14%	98%	Phase dimming
Lutron	DVELV303P	11%	98%	Phase dimming
Lutron	SELV300P	11%	98%	Phase dimming
Lightolier	ZP260QEW	11%	98%	Phase dimming
Lutron	FAELV500	17%	98%	Phase dimming
Lutron	MAELV600	18%	98%	Phase dimming

TESTED DIMMER COMPATIBILITY LIST - 230V*

Phase dimming (trailing edge only**)

DIMMER BRAND	MODEL	MIN LEVEL	MAX LEVEL	DIMMER PROTOCOL
Clipsal	32E450UDM	31%	100%	Phase dimming
Clipsal	32E450TM	25%	100%	Phase dimming

Some dimmers require a minimum load, check specifications.

*Other dimmers that specify LED lamp compatibility may operate without issue.

We recommend conducting your own test before final installation.

**Leading edge is also known as TRIAC or Forward Phase.

Trailing edge is also known as ELV or Reverse Phase.