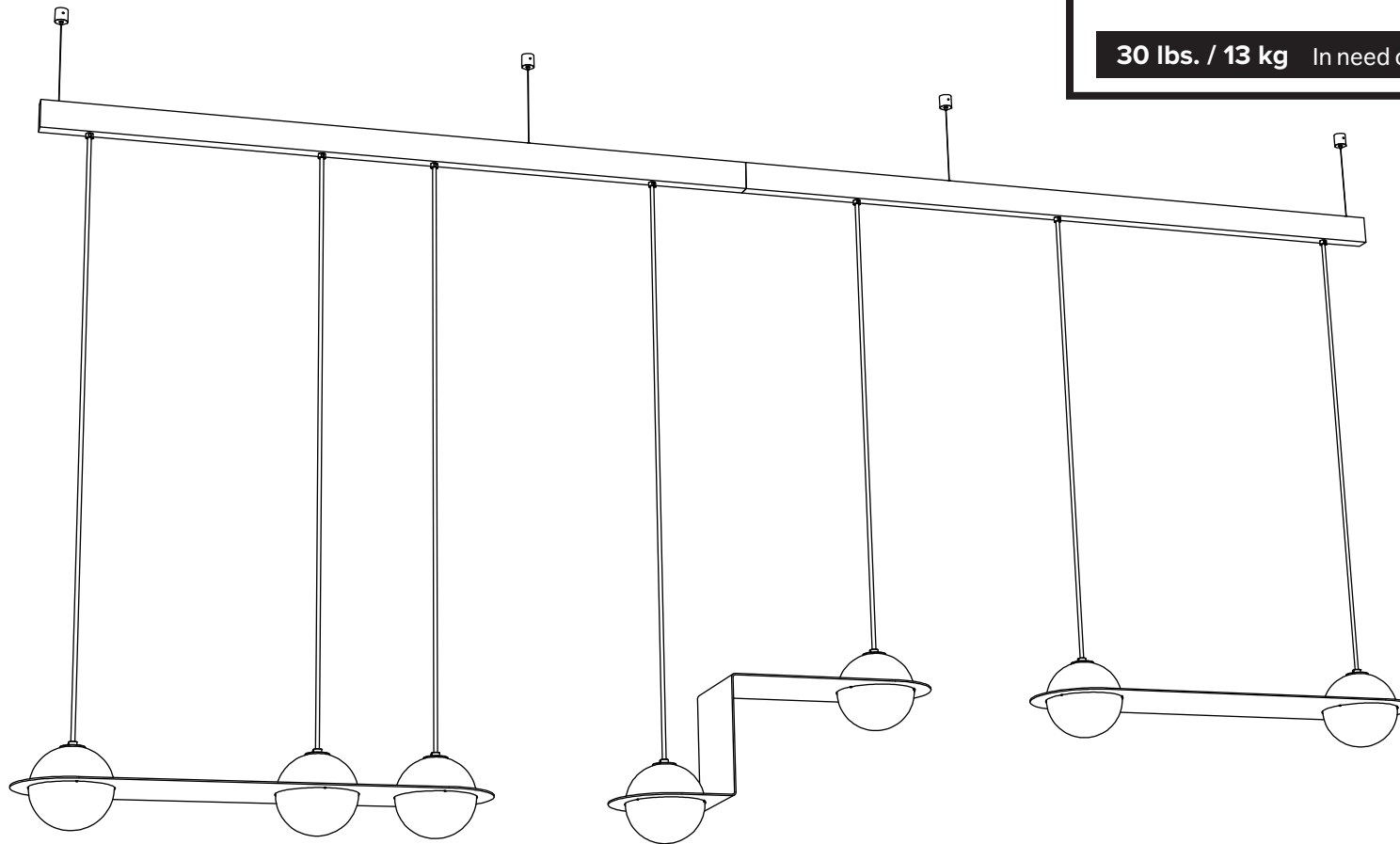


LAURENT 14



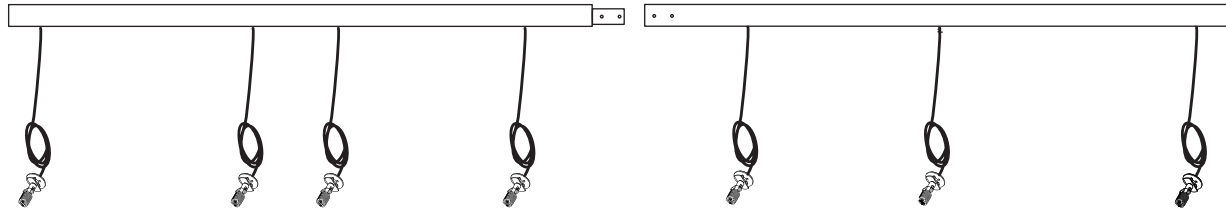
- To be installed by an electrician to an electrical box
- Use appropriate screws where necessary
- Wear enclosed gloves when handling lamp
- Handle materials with care. Please consult lamp maintenance sheet on our web site
- Should be used exclusively as a lamp and not as a shelving, display or hanging unit



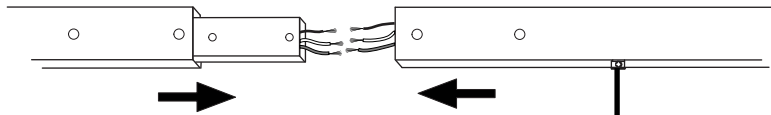
30 lbs. / 13 kg In need of background nailing

1

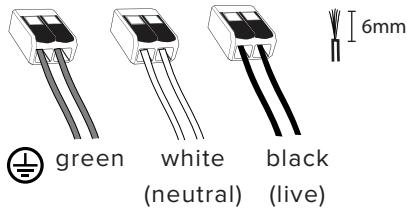
To ensure easy assembly and efficient shipping, the luminaire has been shipped as two parts that are assembled together



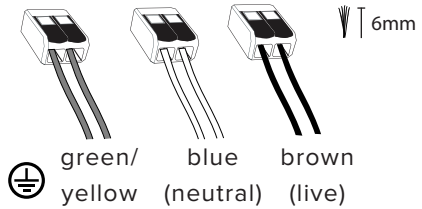
2



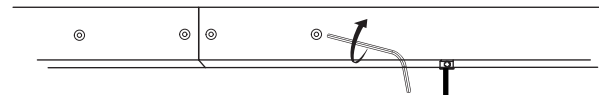
UL LISTED



CE



3

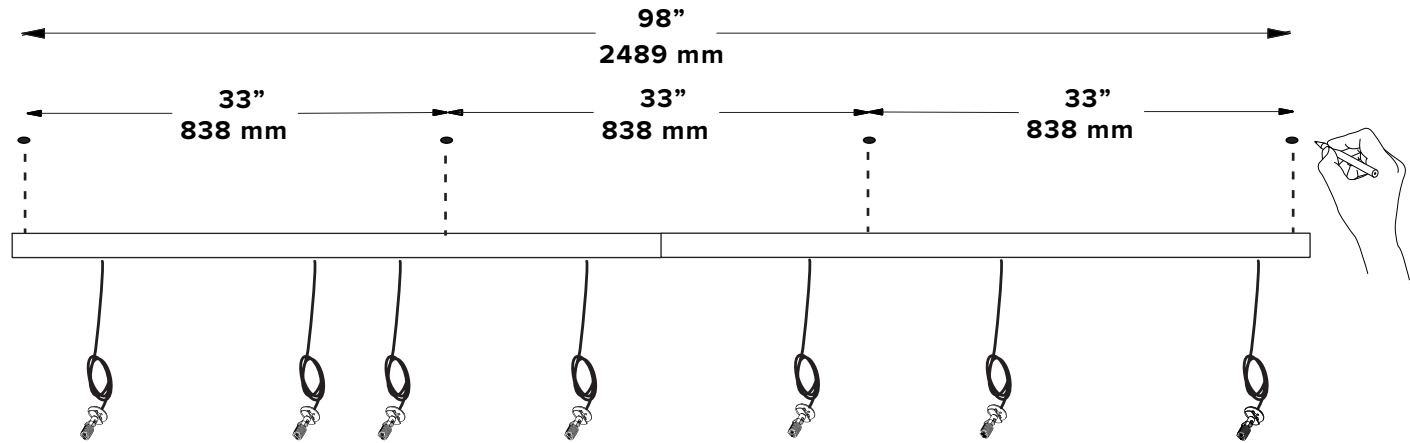


Ensure no wires are clipped or pinched during this operation.

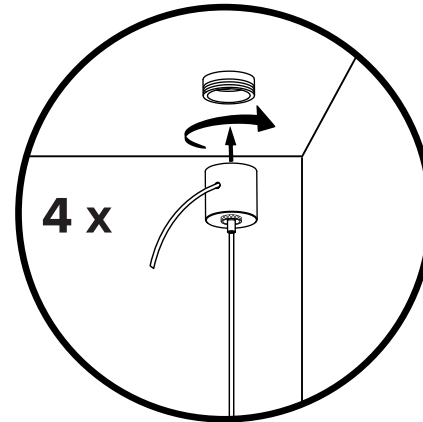
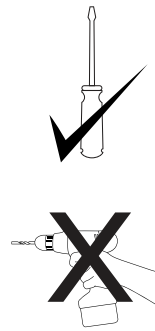
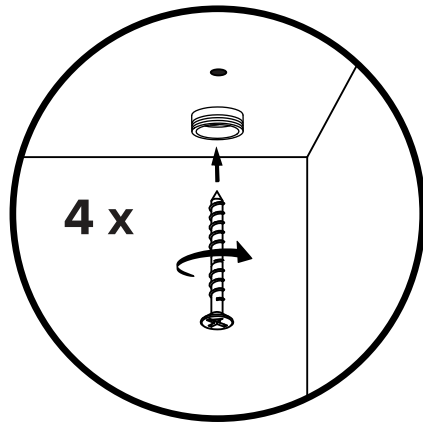


4

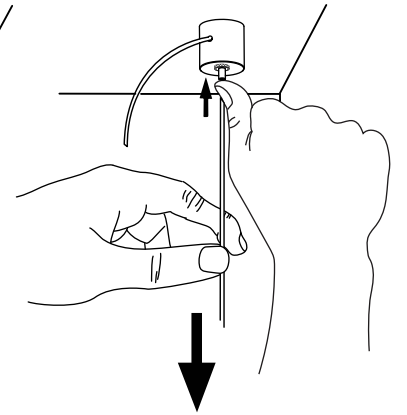
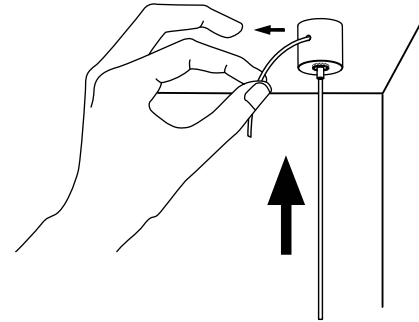
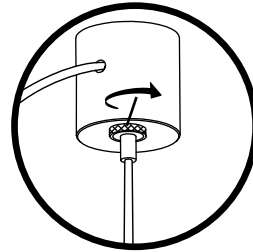
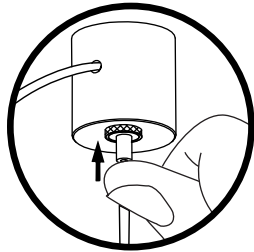
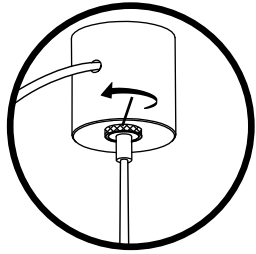
Mark anchor locations using
your electrical box and canopy
as a guide



5



6

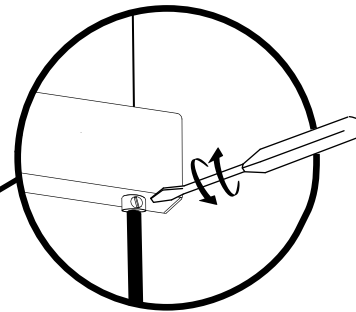
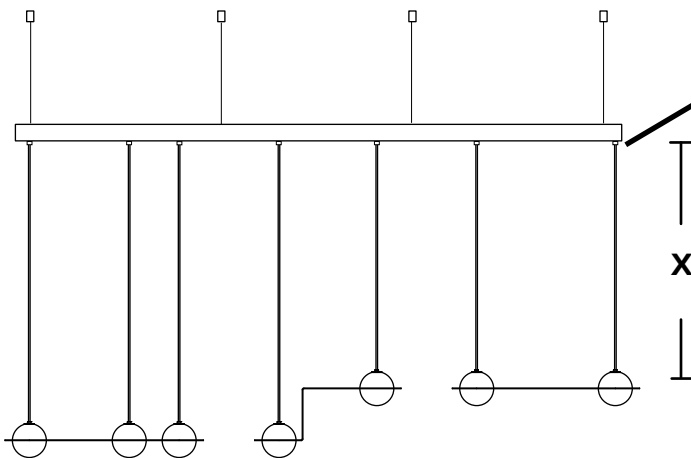


7

Trim wires to desired length (X).

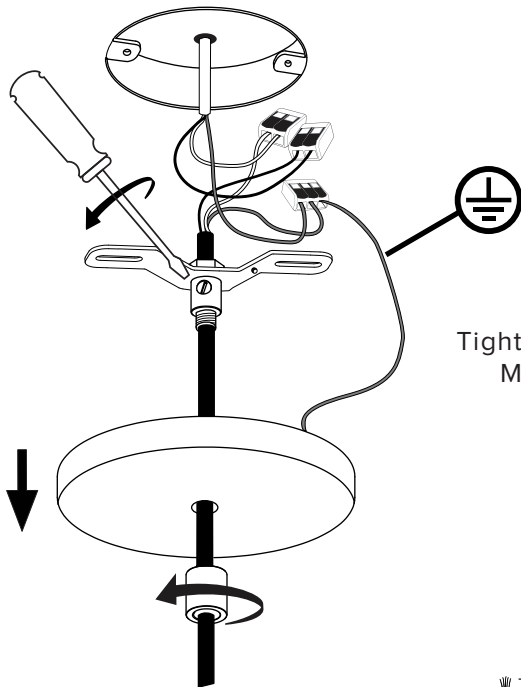
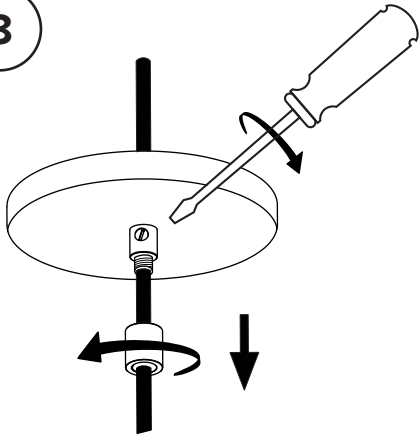
Do not leave a large excess of wires inside the canopy.

Reconnect them as before. Do this step before making electrical connection.

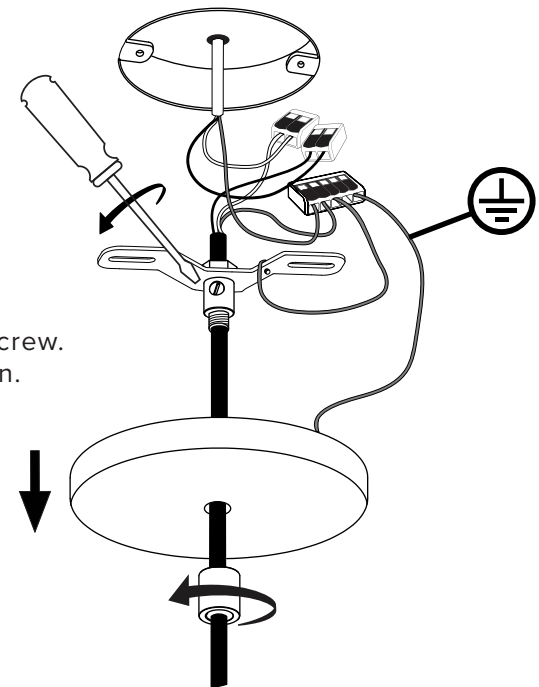


Loosen set screw to adjust wire length. Screw back gently but firmly, when desired wire length is reached.

8

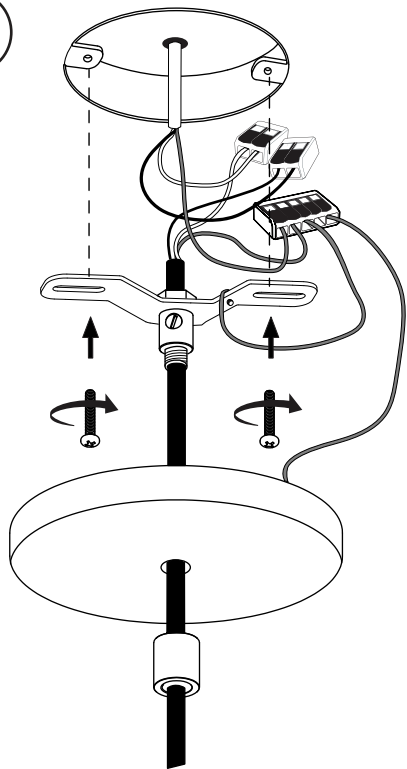


9

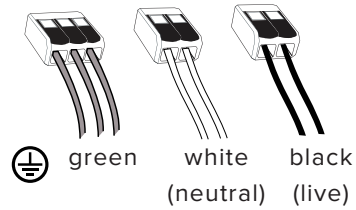


Tighten nylon set screw.
Make connection.

10

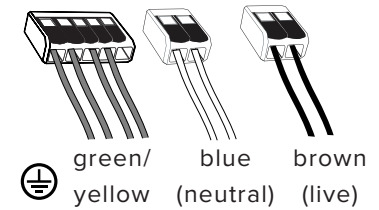


c **UL** US
LISTED

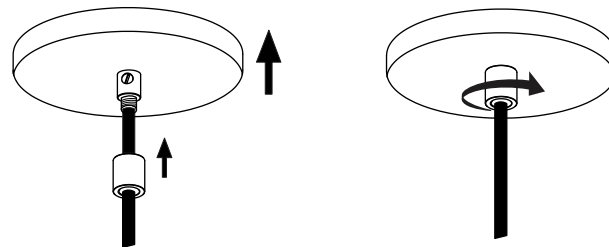


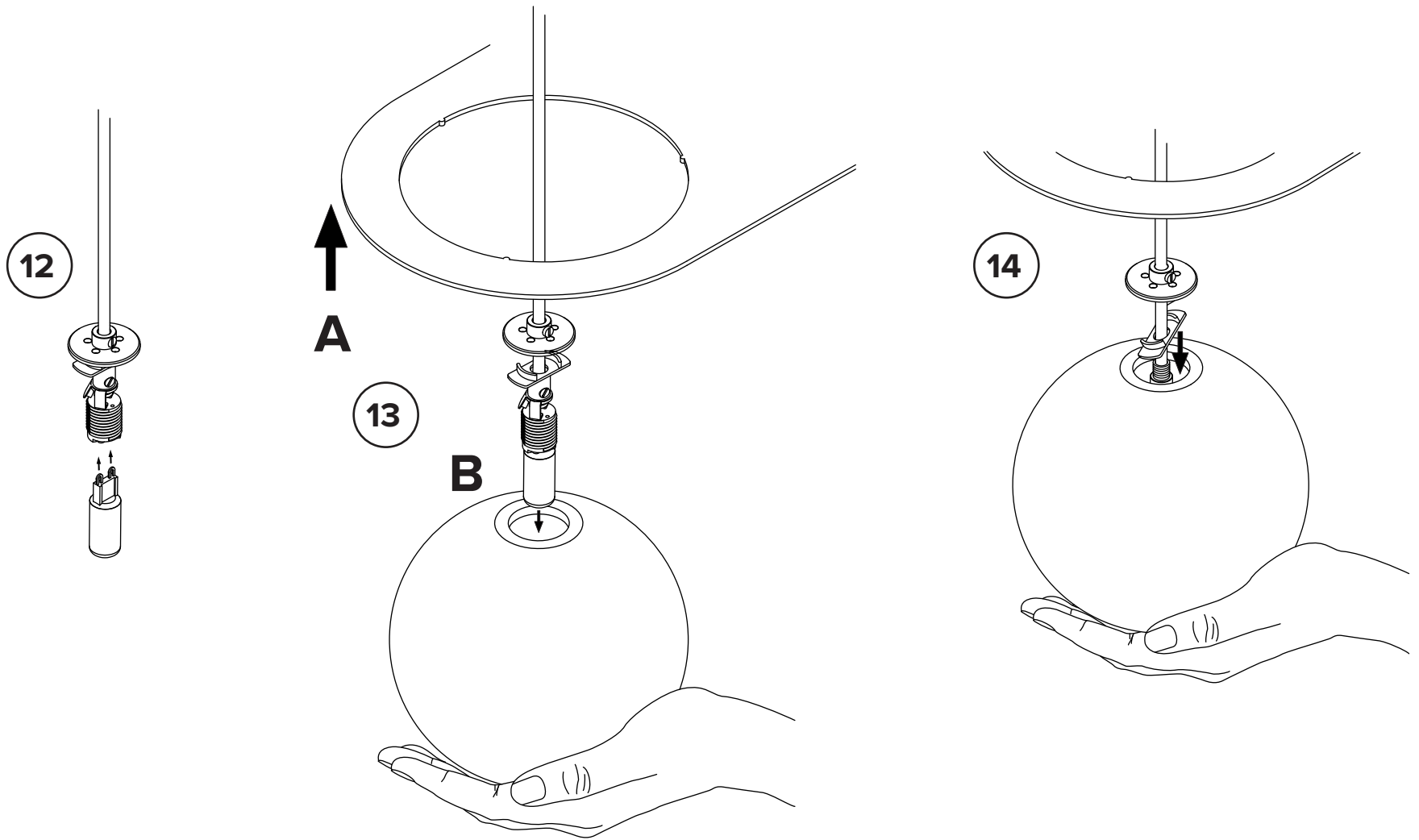
6mm

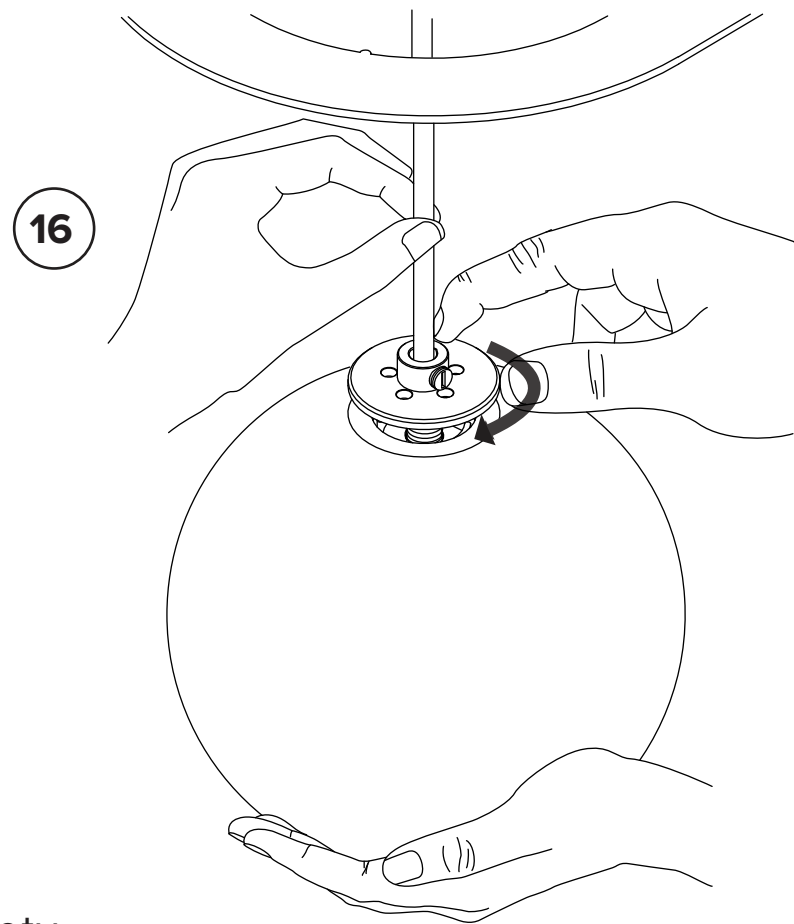
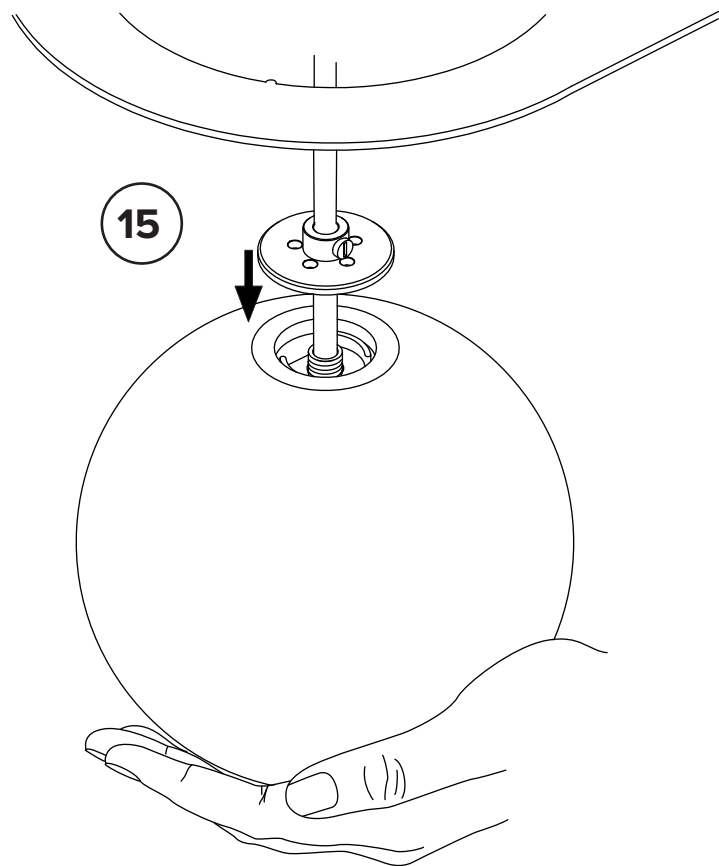
CE



11

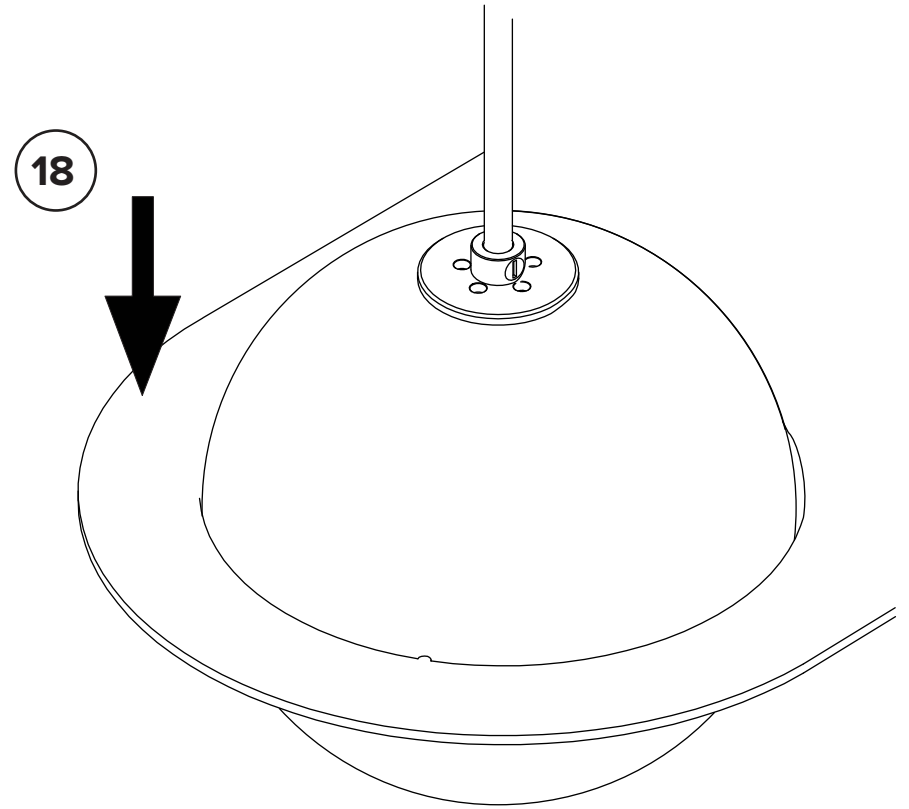
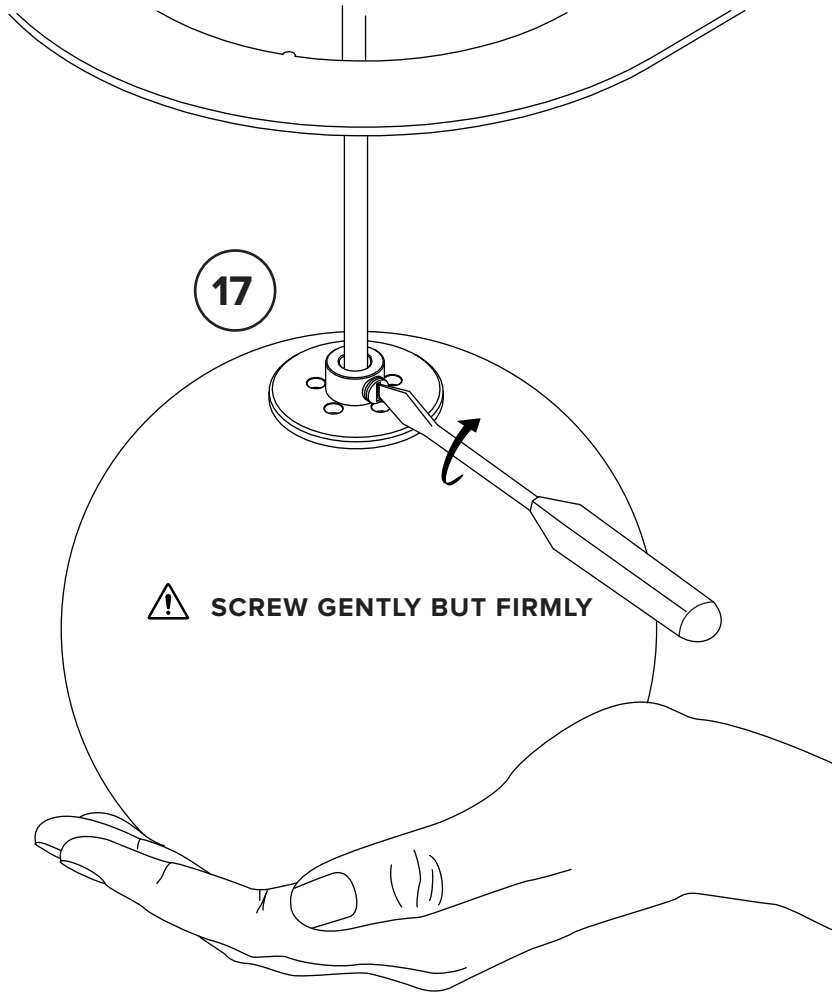






* To ensure safety,
**PLEASE FOLLOW THESE STEPS
CAREFULLY**

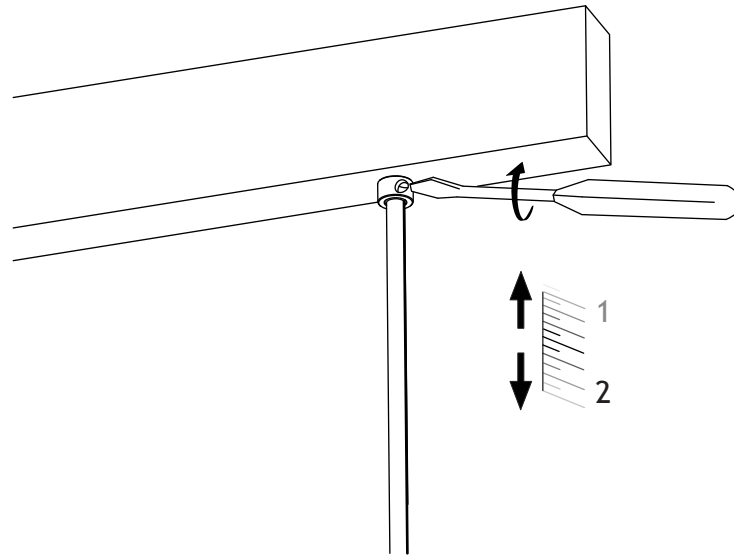
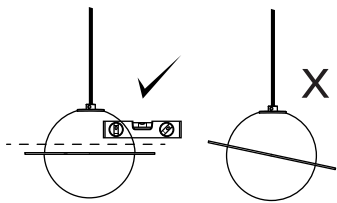
* To ensure safety,
**PLEASE FOLLOW THESE STEPS
CAREFULLY**



19

Make sure the globes are level by micro-adjusting the wire lengths.

SCREW GENTLY BUT FIRMLY



20

Trim cables when final height and level are achieved

