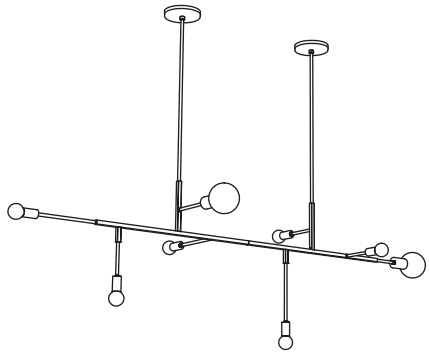
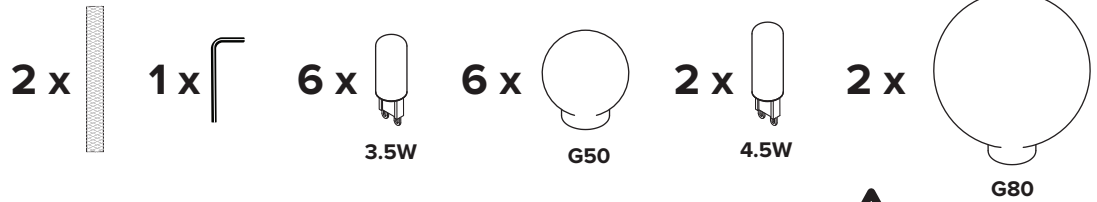


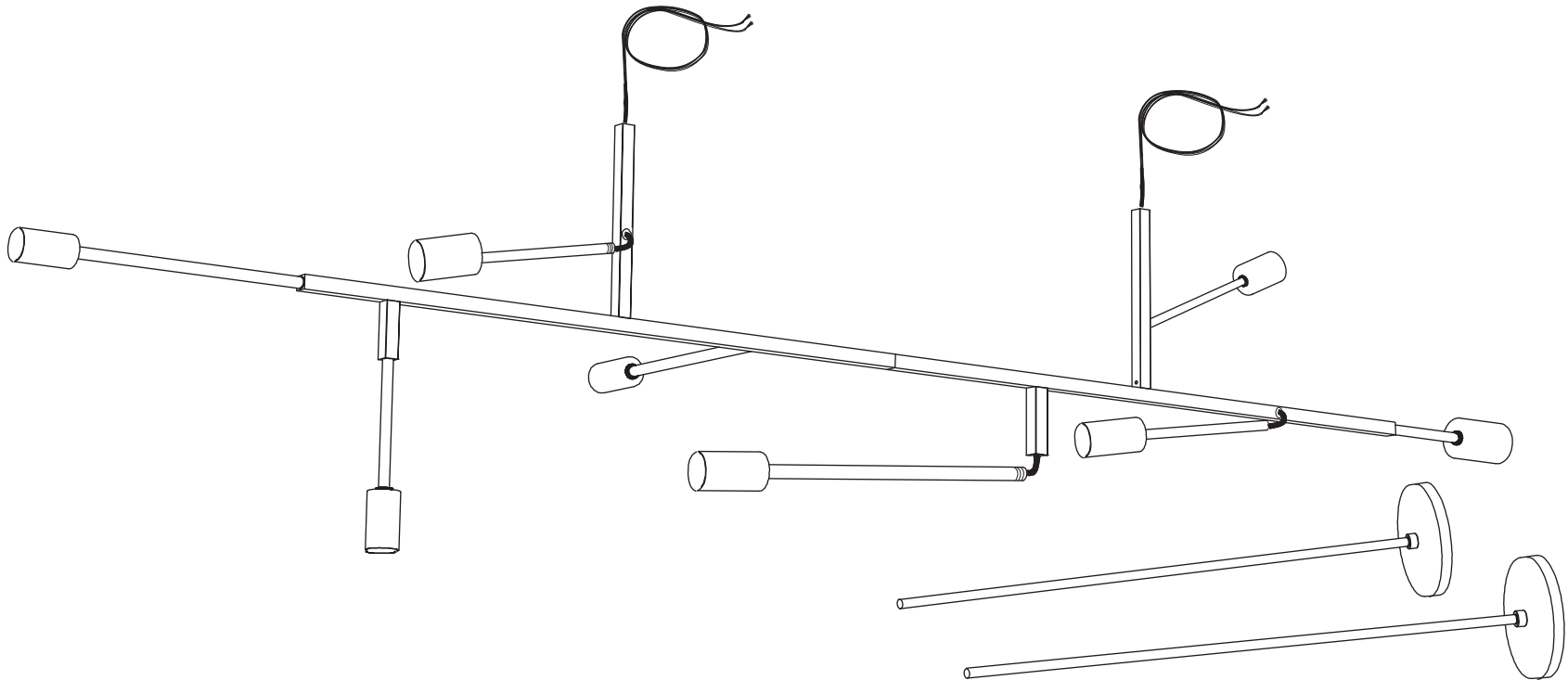
CLIFF SUSPENSION 07



!

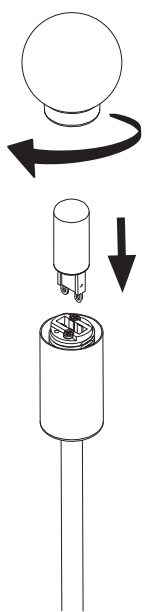
- To be installed by an electrician to an electrical box
- Use appropriate screws and anchors where necessary
- Wear enclosed gloves when handling lamp
- Handle materials with care. Please consult lamp maintenance sheet on our web site

8 lbs.

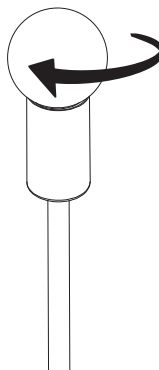




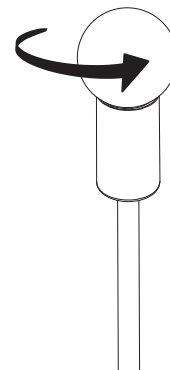
Important steps to follow when installing a glass globe



Insert bulb.



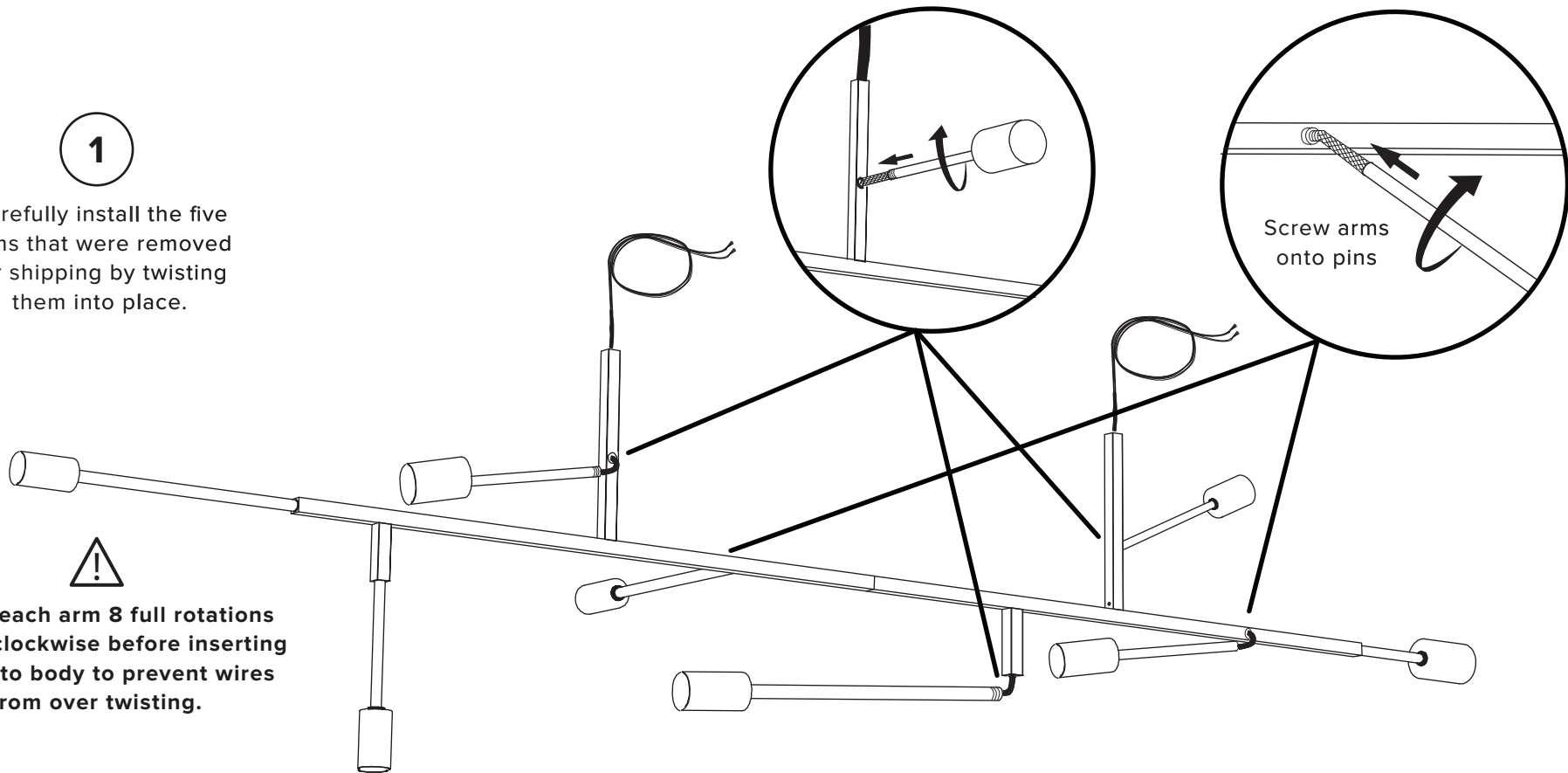
Screw in globe gently until it is tight.
Do not force the globe.



Unscrew bulb slightly 1/2 turn.

1

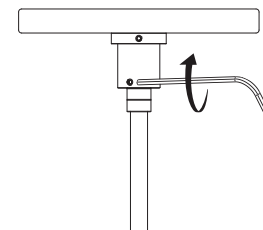
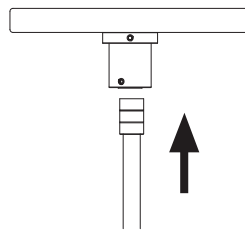
Carefully install the five arms that were removed for shipping by twisting them into place.



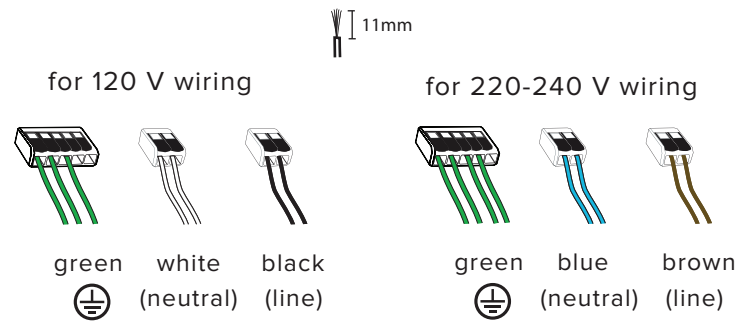
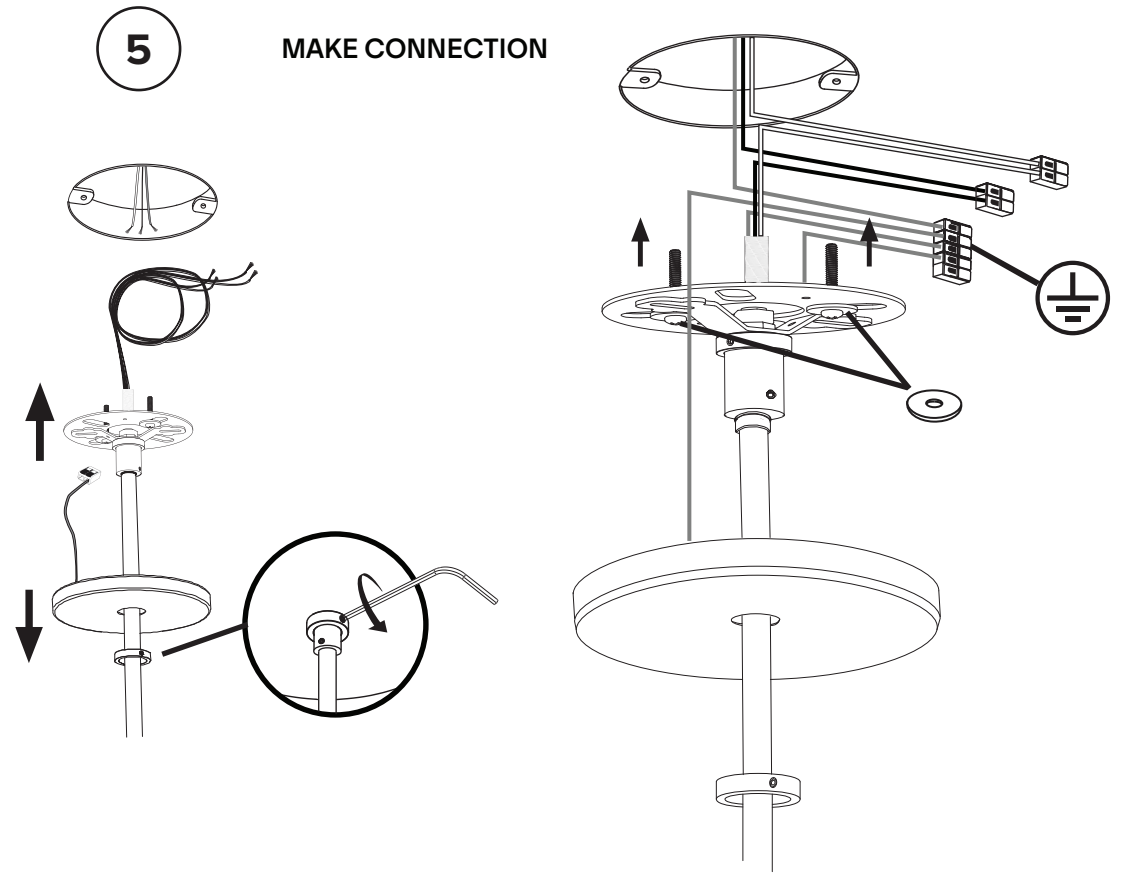
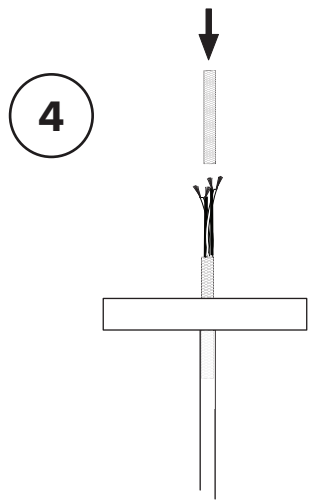
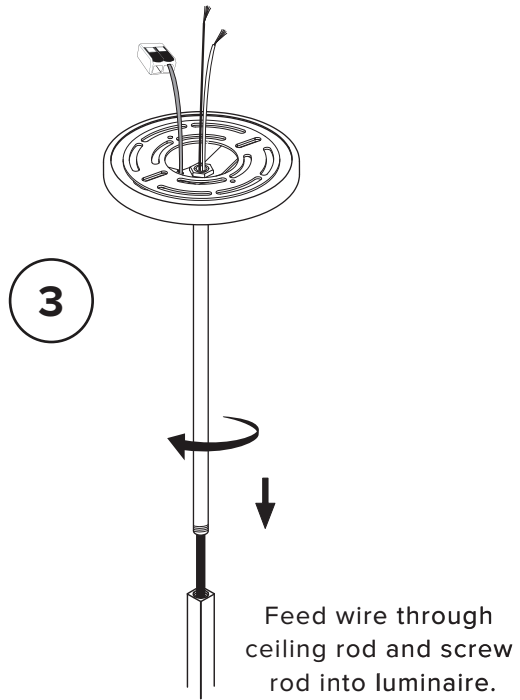
Rotate each arm 8 full rotations counterclockwise before inserting arms into body to prevent wires from over twisting.

2

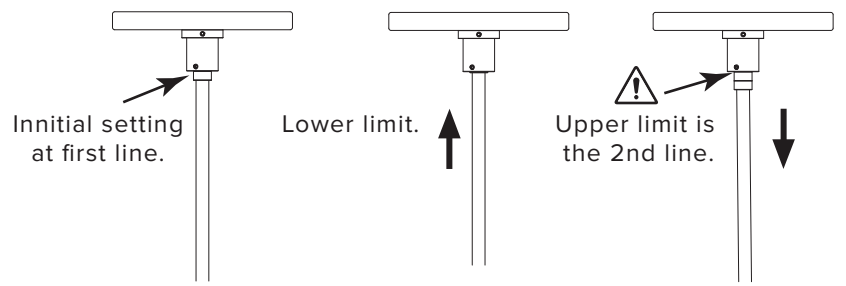
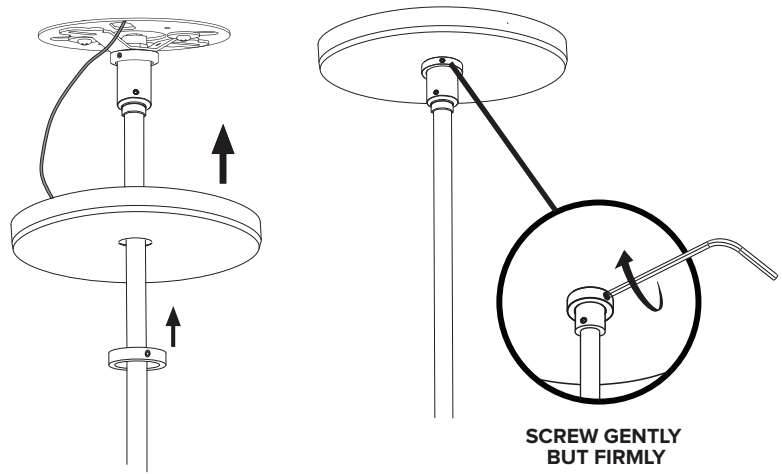
Install canopies onto ceiling rods



SCREW GENTLY BUT FIRMLY



6



Note that the ceiling rod is adjustable

7

Insert bulbs and globes into the sockets

