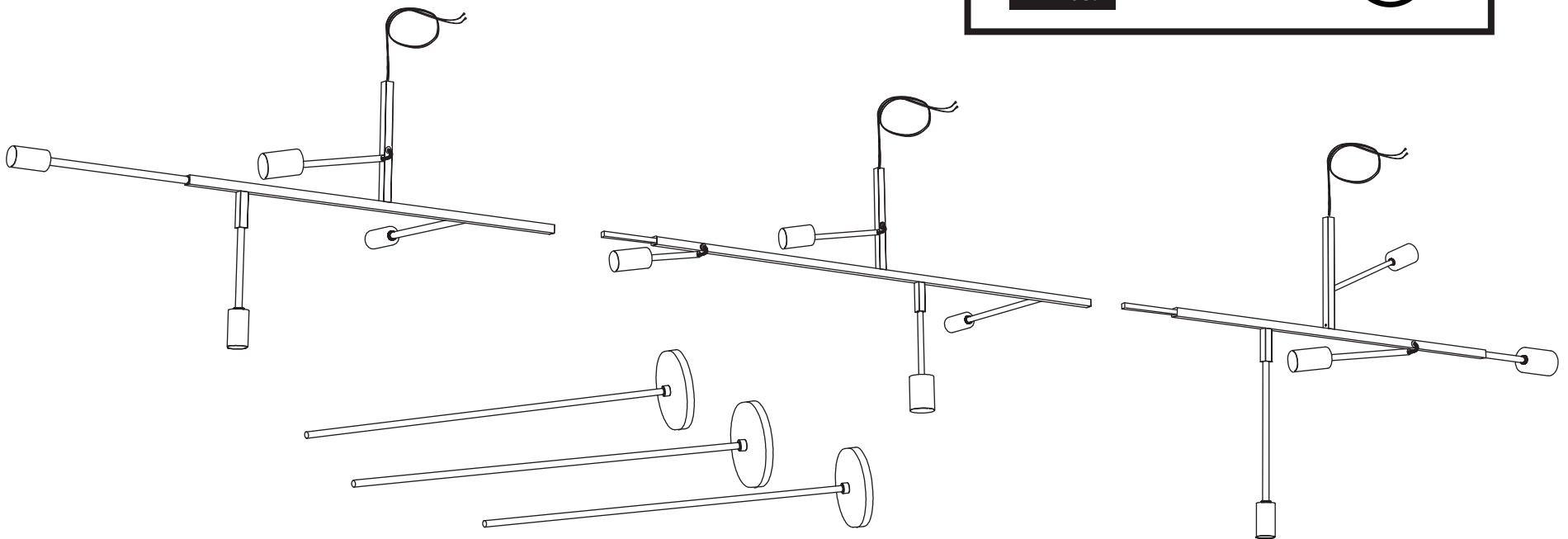
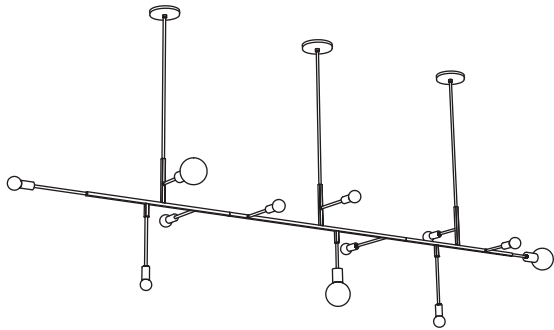


CLIFF SUSPENSION 08



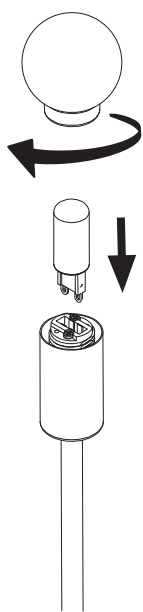
!

- To be installed by an electrician to an electrical box
- Use appropriate screws and anchors where necessary
- Wear enclosed gloves when handling lamp
- Handle materials with care. Please consult lamp maintenance sheet on our web site

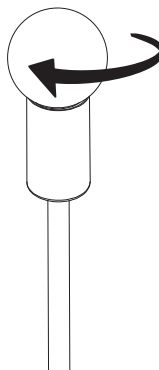
14 lbs.



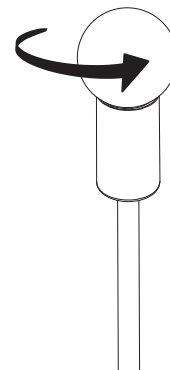
Important steps to follow when installing a glass globe



Insert bulb.



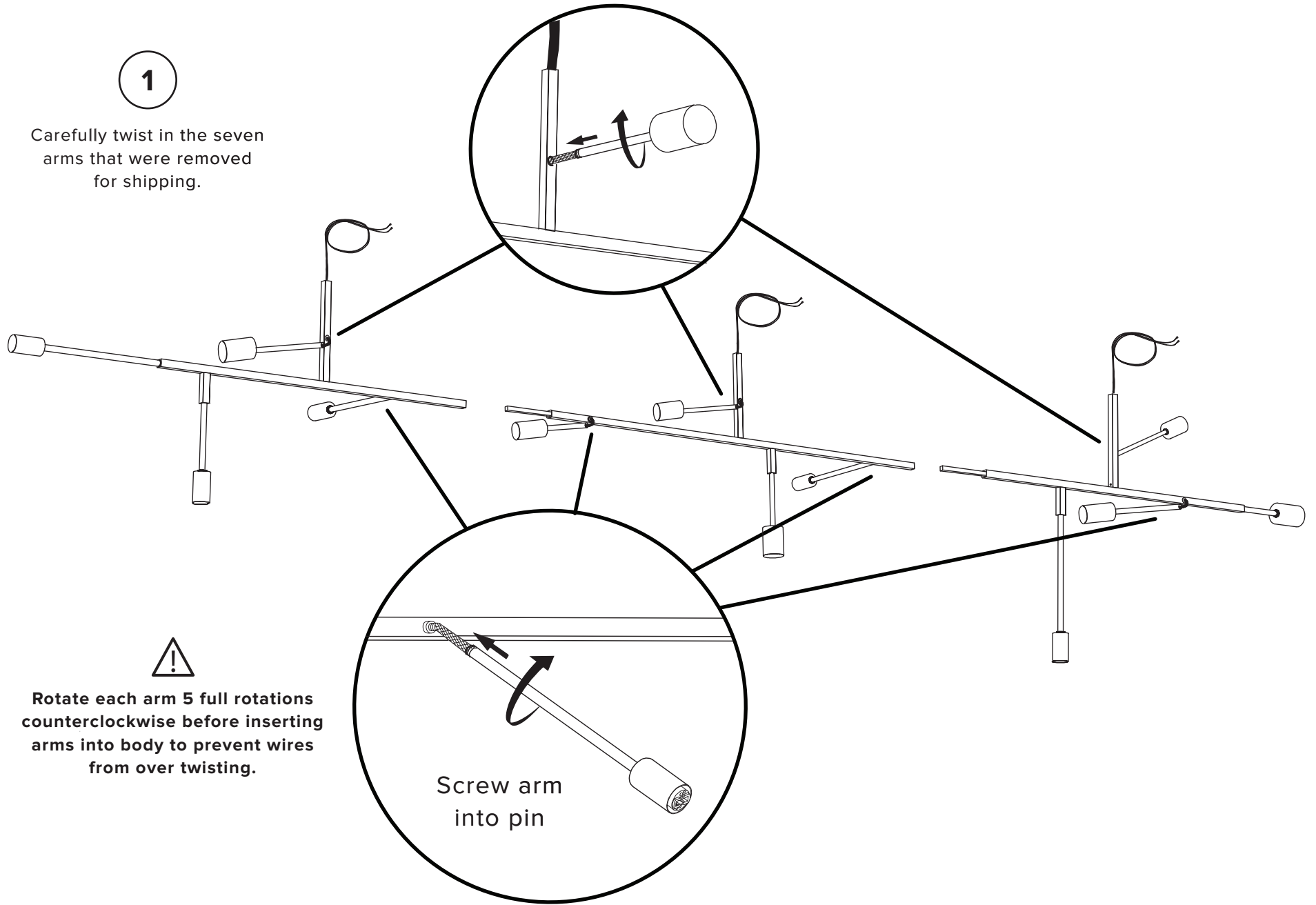
Screw in globe gently until it is tight.
Do not force the globe.



Unscrew bulb slightly 1/2 turn.

1

Carefully twist in the seven arms that were removed for shipping.

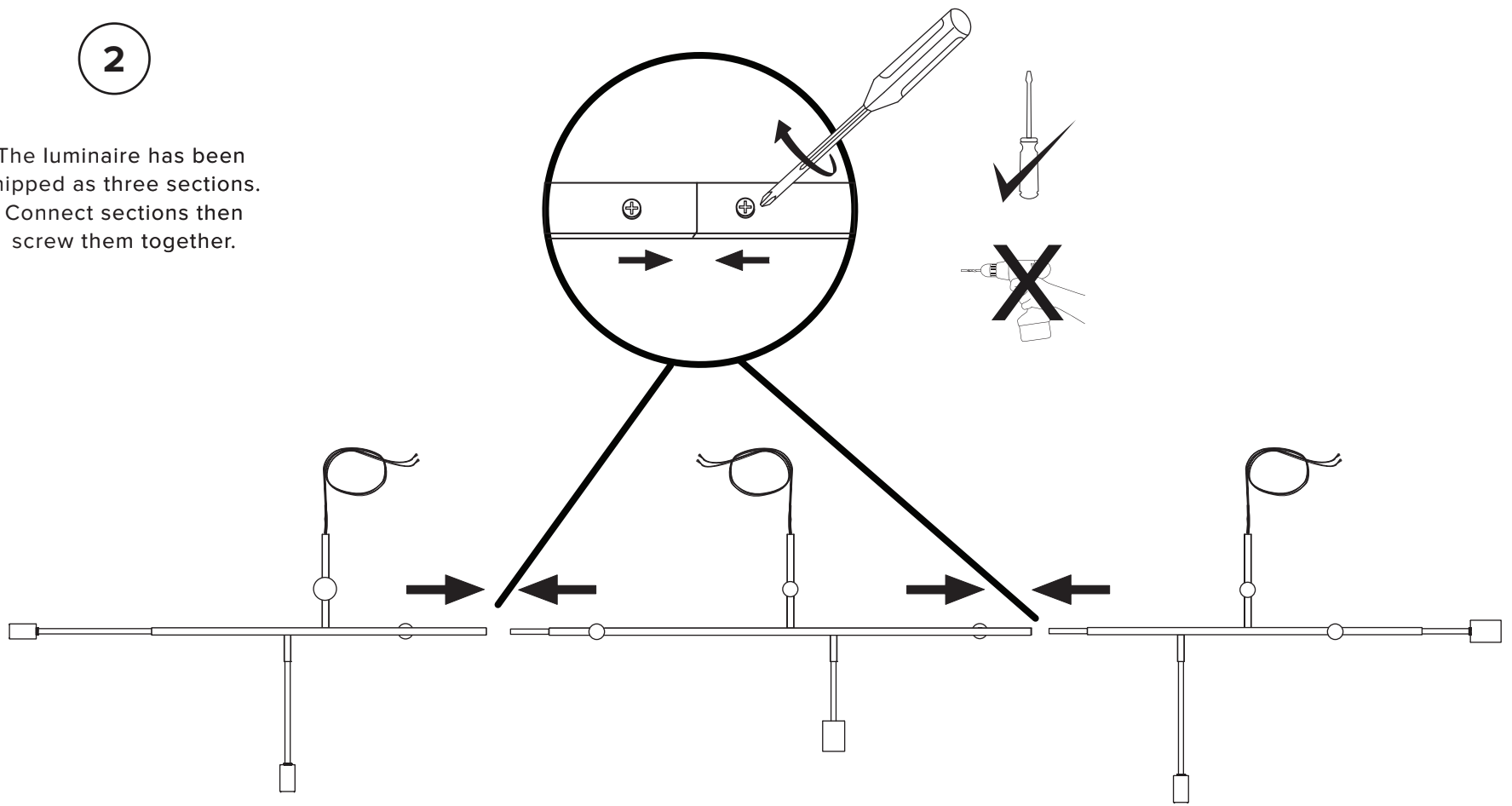


Rotate each arm 5 full rotations counterclockwise before inserting arms into body to prevent wires from over twisting.

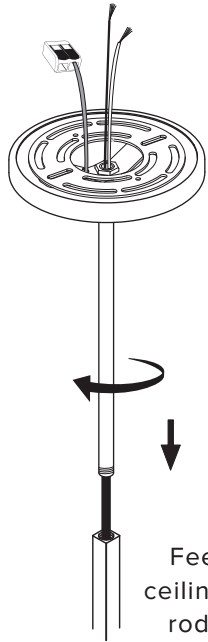
Screw arm into pin

2

The luminaire has been shipped as three sections. Connect sections then screw them together.

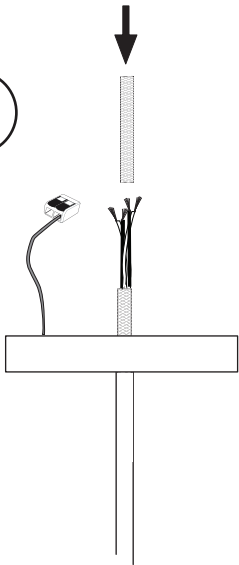


3



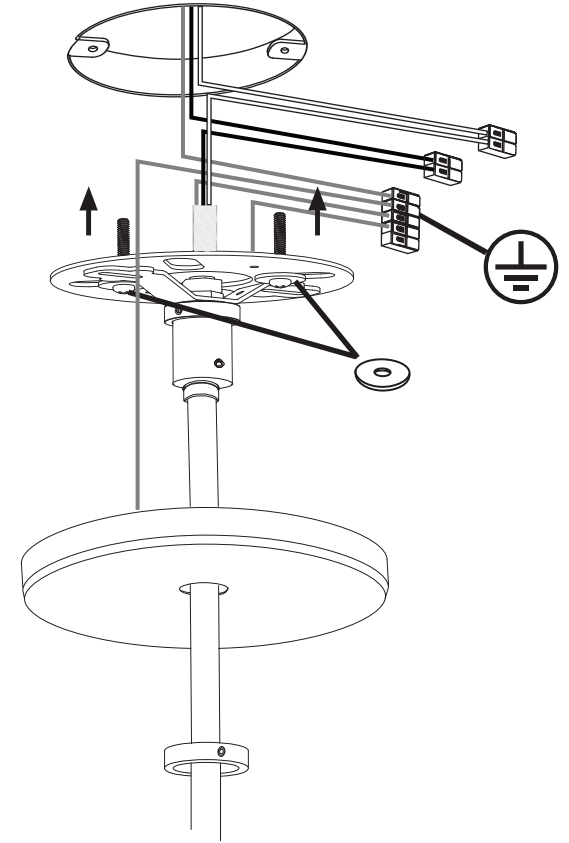
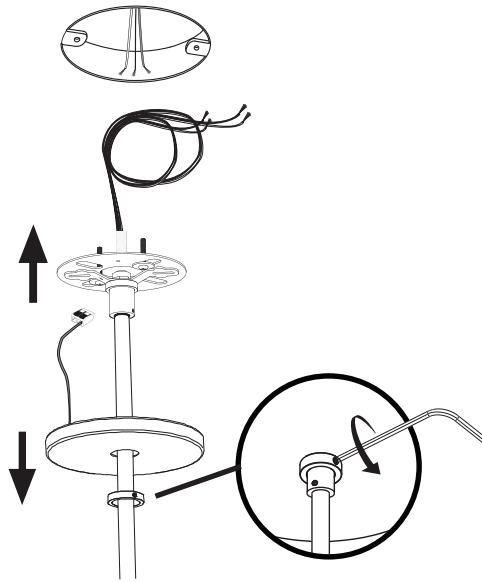
Feed wire through ceiling rods and screw rods into luminaire.

4



5

MAKE CONNECTION



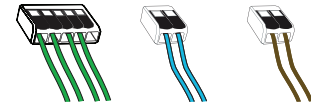
11mm

for 120 V wiring



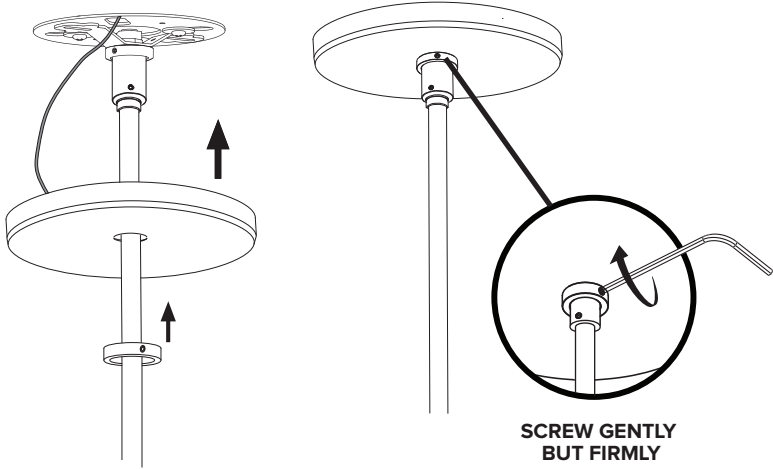
green
⊕
white
(neutral)
black
(line)

for 220-240 V wiring



green
⊕
blue
(neutral)
brown
(line)

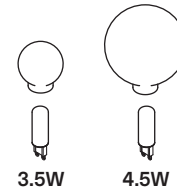
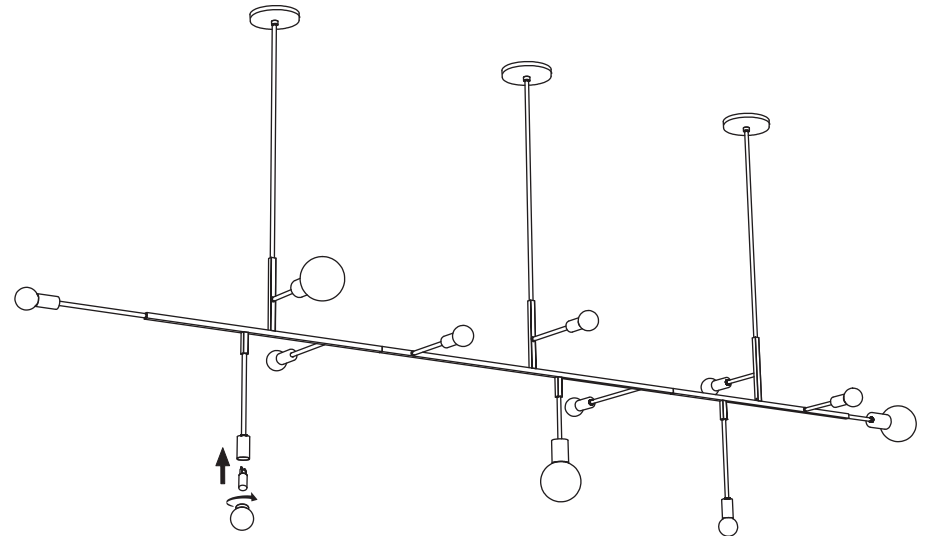
6



SCREW GENTLY
BUT FIRMLY

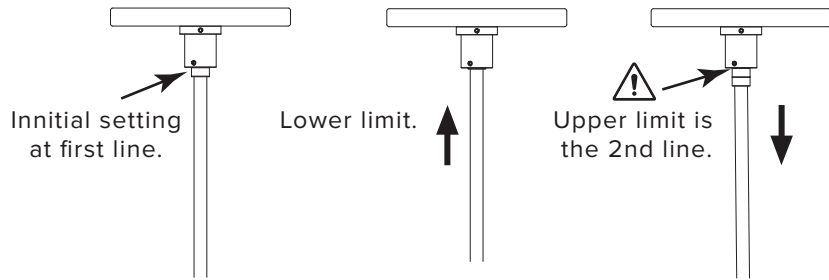
7

Insert bulbs and globes
into the sockets



3.5W

4.5W



Note that the ceiling rod is adjustable