

WALDORF WALL LARGE SOFTWARE

1 x 

2 x 

1 x 

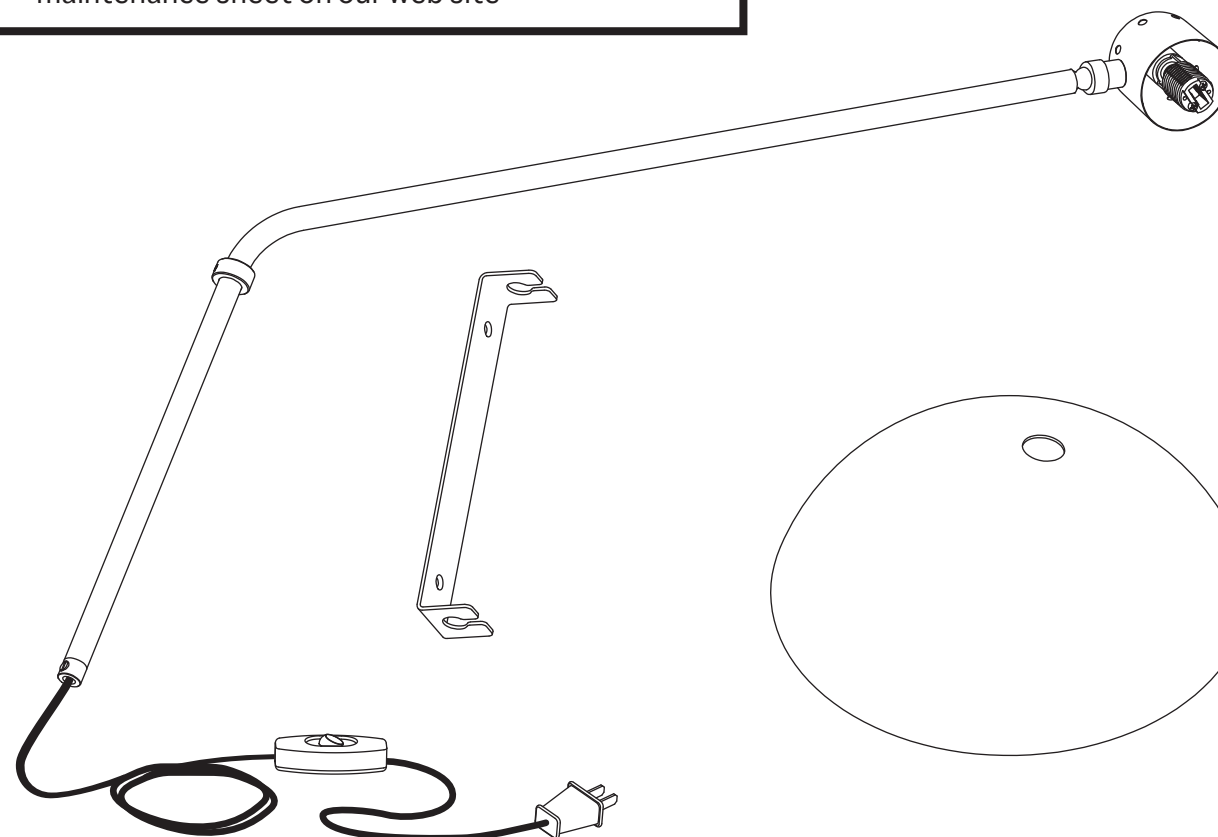
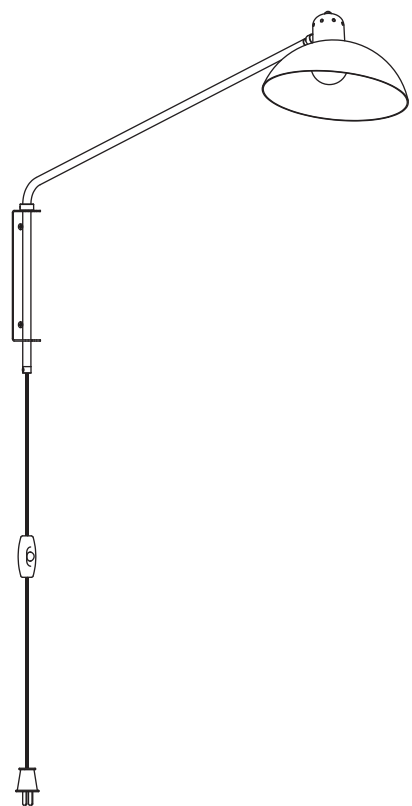
1 x 

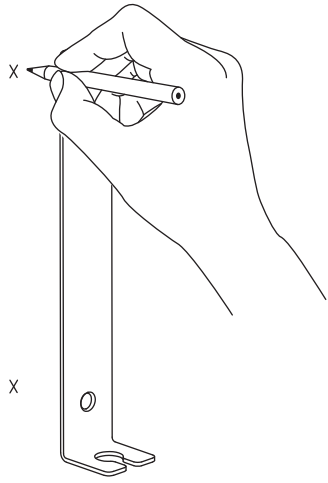
4.5W

G60

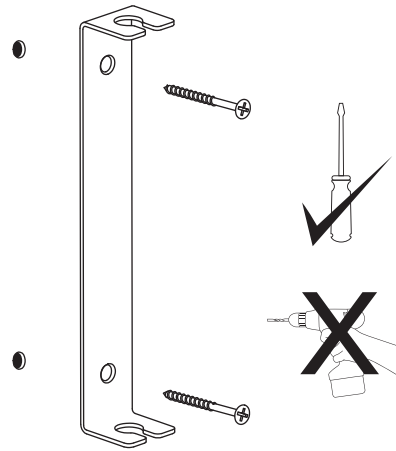


- To be installed by an electrician to an electrical box
- Use appropriate screws and anchors where necessary
- Wear enclosed gloves when handling lamp
- Handle materials with care. Please consult lamp maintenance sheet on our web site



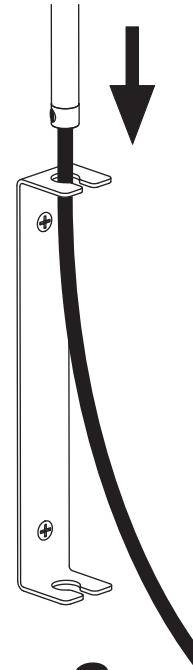


1

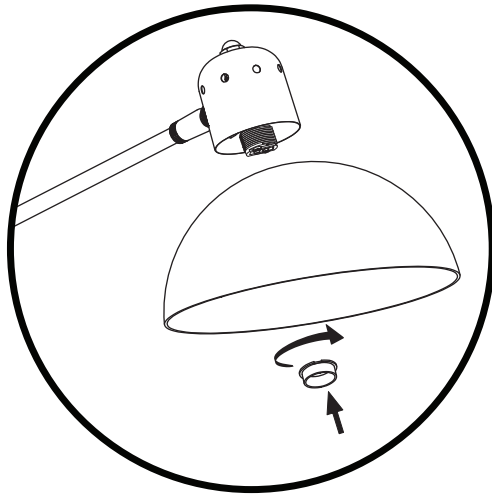


* Use appropriate anchors

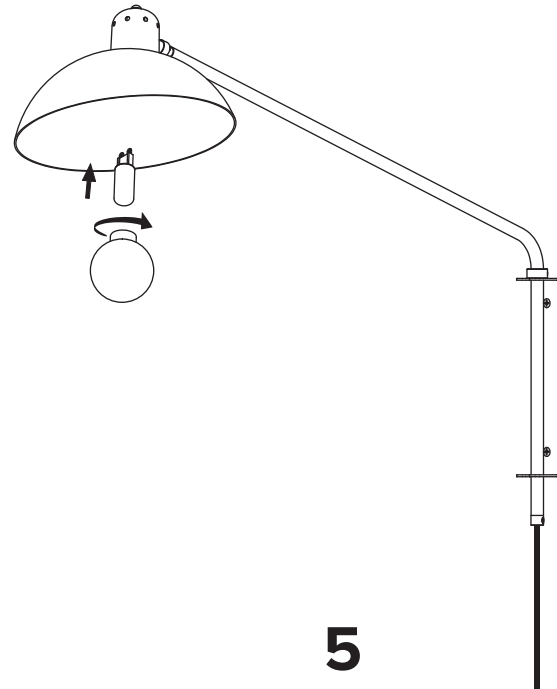
2



3



4



5

