

MILE 04

A collaboration between Lambert & Fils and Guillaume Sasseville, Mile offers a variation on the linear suspension, pared down to its simplest, asymmetrical expression, with two lines floating in surprising equilibrium. Direct and indirect light are separated by a 90° pivot, thus marking out space with light. A play on contrasts, Mile is part art installation and part utilitarian light. The use of linear LED technology and the cords clamped into the structure add to the weightless, almost levitating feel of the lamp.

type: suspension

construction: powder coated or polished aluminum body
frosted polycarbonate opal diffuser
powder coated aluminum canopy, steel anchor
polyester cord

specifications: source: AC LED board
power consumption:

| | A | B | C |
|-----------|--------------------|--------------------|--------------------|
| LED 2700K | 56W 2273 lumens | 90W 3410 lumens | 105W 3978 lumen |
| LED 3000K | 2478 lumens | 2701 lumens | 4336 lumens |

colour rendering index: ≥ 90 CRI
colour consistency: 3 SDCM
expected lifetime: 50 000h

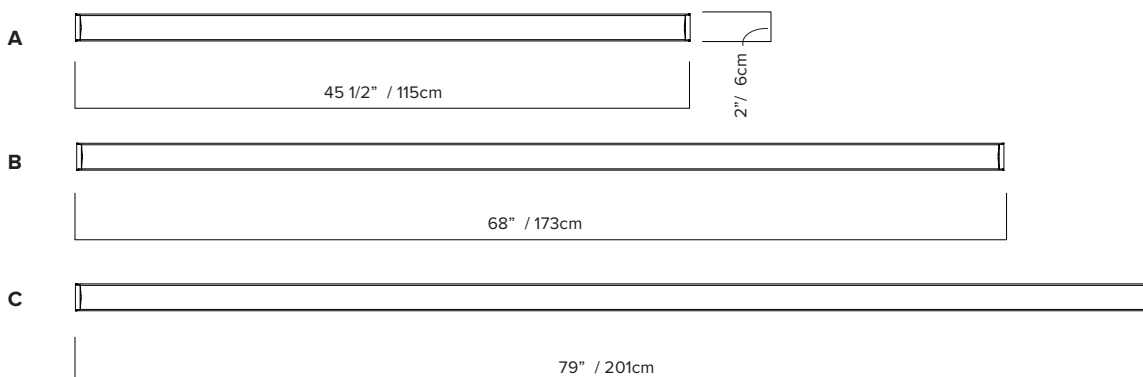
control: 120-240V on/off, trailing edge (reverse phase)
refer to our recommended list of dimmer models

cord length: unloaded wire 96" / 244cm
loaded wire 120" / 304cm

weight: 4.5lb / 2kg | 6.5lb / 2.9kg | 7lb / 3.2kg

certifications:     IP20

warranty: 2 years



*dimensions are approximate and may vary slightly

ORDER GUIDE: SKU

| COLLECTION | | MODEL | BODY/CORD/ANCHOR | | CANOPY | LENGTH | COLOUR TEMPERATURE (CCT) | | | |
|------------|------|-----------|------------------|-----------|-----------|--------|--------------------------|--------------------|-----------|-----------------------|
| Mile | mile | 04 | BL | black | WH | white* | A | 3'-9 1/2" / 115 cm | WL | warm light (2700K) |
| | | | BU | burgundy | | | B | 5'-8" / 173 cm | NL | neutral light (3000K) |
| | | | BG | beige | | | C | 6'-7" / 201 cm | | |
| | | | GN | green | | | | | | |
| | | | WH | white | | | | | | |
| | | | AL | aluminium | | | | | | |
| MIL | | 04 | BL | | WH | | A | | WL | = MILO4BLWHAWL |
| | | | | | | | | | | example |

BODY, CORD AND ANCHOR



textured black



textured white



textured beige



textured green



textured burgundy



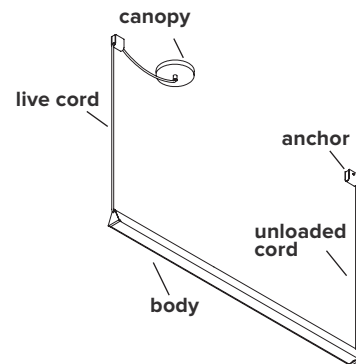
polished aluminium

CANOPY



flat white

*body colours also available as custom



NOTES:

- must be installed by an electrician
- LED may only be changed by Lambert & Fils or other authorized personnel
- not protected against liquids (refer to IP20)
- additional charges for modifications or for special orders
- please refer to maintenance sheet on website for cleaning instructions

DIMMER SPECIFICATIONS

TESTED DIMMER COMPATIBILITY LIST - 120V*

Compatible with reverse phase or phase dimming (trailing edge**)

| <u>DIMMER BRAND</u> | <u>MODEL NUMBER</u> | <u>MIN LEVEL</u> | <u>MAX LEVEL</u> | <u>FLICKERING</u> | <u>OVERALL QUOTE</u> |
|---------------------|---------------------|------------------|------------------|-------------------|----------------------|
| LUTRON - MAESTRO | MAELV-600 | 10% | 100% | 0%-10% | good |
| LUTRON - SKYLARK | SELV-300P | 10% | 100% | no | very good |
| LUTRON - SKYLARK | SELV-303P | 10% | 100% | no | very good |
| LUTRON - SKYLARK | CTELV-303P | 10% | 100% | no | very good |
| LUTRON - DIVA | DVELV-300P | 10% | 100% | no | very good |
| LEGRAND - ADORNE | TRUE UNIVERSAL | 30% | 100% | no | good |

Some dimmers require a minimum load, check specifications.

*Other dimmers can yield good results and we recommend conducting your own test before final installation

**Trailing edge is also known as ELV or Reverse Phase.

EU ENERGY LABEL

