



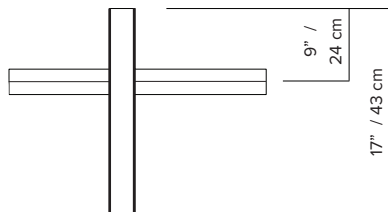
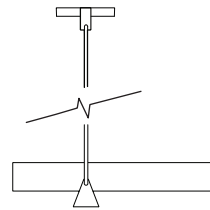
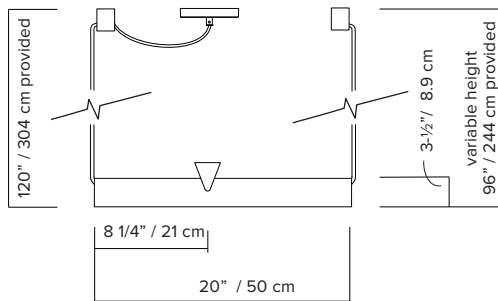




MILE 02

A collaboration between Lambert & Fils and Guillaume Sasseville, Mile offers a variation on the linear suspension, pared down to its simplest, asymmetrical expression, with two lines floating in surprising equilibrium. Direct and indirect light are separated by a 90° pivot, thus marking out space with light. A play on contrasts, Mile is part art installation and part utilitarian light. The use of linear LED technology and the cords clamped into the structure add to the weightless, almost levitating feel of the lamp.

type:	suspension
construction:	powder coated or polished aluminum body frosted polycarbonate opal diffuser powder coated aluminum canopy, steel anchor polyester cord
specifications:	source: AC LED board power consumption: 45W lumen output: LED 2700K uplight 641 lumens / downlight 885 lumens LED 3000K uplight 699 lumens / downlight 965 lumens colour rendering index: ≥90 CRI colour consistency: 3 SDCM expected lifetime: 50 000h
control:	120-240V on/off, trailing edge (reverse phase) refer to our recommended list of dimmer models
cord length:	unloaded wire 96" / 244cm loaded wire 120" / 304cm
weight:	3.9lb / 1.8kg
certifications:	   
warranty:	2 years



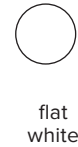
ORDER GUIDE: SKU

COLLECTION		MODEL	BODY		CORD		CANOPY		COLOUR TEMPERATURE (CCT)	DIMMING		
Mile	mile	02	BK	black	BK	black	BK	black	WL	warm light (2700K)	ZT	0-10V dimming
			BU	burgundy	BU	burgundy	BU	burgundy	NL	neutral light (3000K)	OT	1-10V dimming
			BG	beige	BG	beige	BG	beige	DW	dim to warm (2700K to 2200K)	PH	phase dimming
			GN	green	GN	green	GN	green	V	varialbe		
			WH	white	WH	white	WH	white				
			AL	aluminium	AL	aluminium	AL	aluminium				
MIL		02	BK		BK		BK		WL		ZT	
											= MILO2BKBKBKWLZT	
												example

BODY, CORD AND ANCHOR

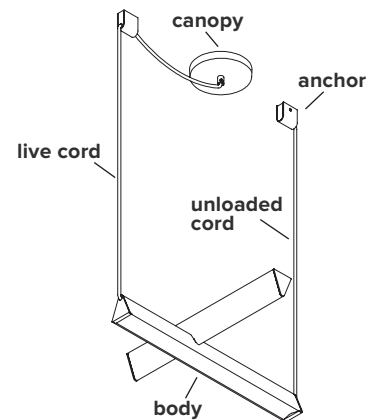


CANOPY



NOTES:

- must be installed by an electrician
- LED may only be changed by Lambert & Fils or other authorized personnel
- not protected against liquids (refer to IP20)
- additional charges for modifications or for special orders
- please refer to maintenance sheet on website for cleaning instructions



DIMMER SPECIFICATIONS

TESTED DIMMER COMPATIBILITY LIST - 120V*

Compatible with reverse phase or phase dimming (trailing edge**)

<u>DIMMER BRAND</u>	<u>MODEL NUMBER</u>	<u>MIN LEVEL</u>	<u>MAX LEVEL</u>	<u>FLICKERING</u>	<u>OVERALL QUOTE</u>
LUTRON - MAESTRO	MAELV-600	10%	100%	0%-10%	good
LUTRON - SKYLARK	SELV-300P	10%	100%	no	very good
LUTRON - SKYLARK	SELV-303P	10%	100%	no	very good
LUTRON - SKYLARK	CTELV-303P	10%	100%	no	very good
LUTRON - DIVA	DVELV-300P	10%	100%	no	very good
LEGRAND - ADORNE	TRUE UNIVERSAL	30%	100%	no	good

Some dimmers require a minimum load, check specifications.

*Other dimmers can yield good results and we recommend conducting your own test before final installation

**Trailing edge is also known as ELV or Reverse Phase.

EU ENERGY LABEL

